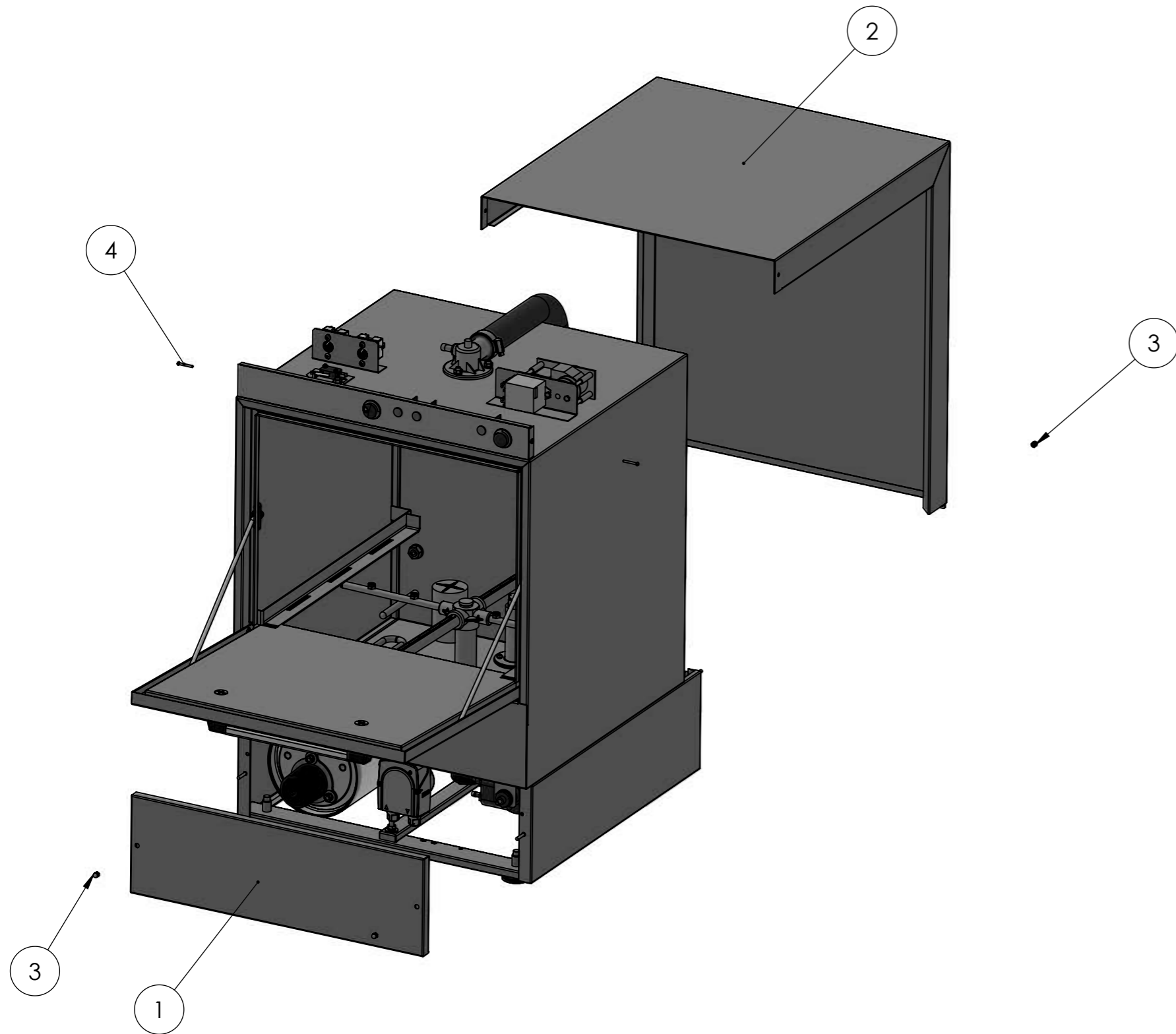


ITEM NO.	PART NUMBER	DESCRIPTION	QTY.
1	001.40.00012	COVER FRONT INOX EU40	1
2	001.40.00014	COVER UPPER-BACK INOX EU40	1
3	001.00.00117	DOME NUT M4	4
4	001.00.00213	INOX SCREW M4X15	2



SERIES DESCRIPTION:
DISH WASHER

MODEL DESCRIPTION:
E40

MODEL VERSION:
EUROLINE 40 230V ~N,
50/60 Hz

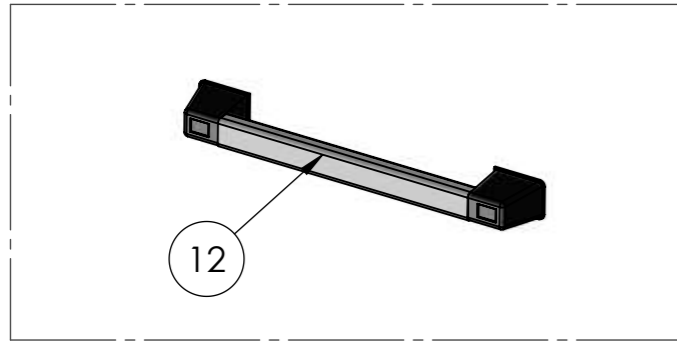
ITEM CODE:

ITEM DESCRIPTION:

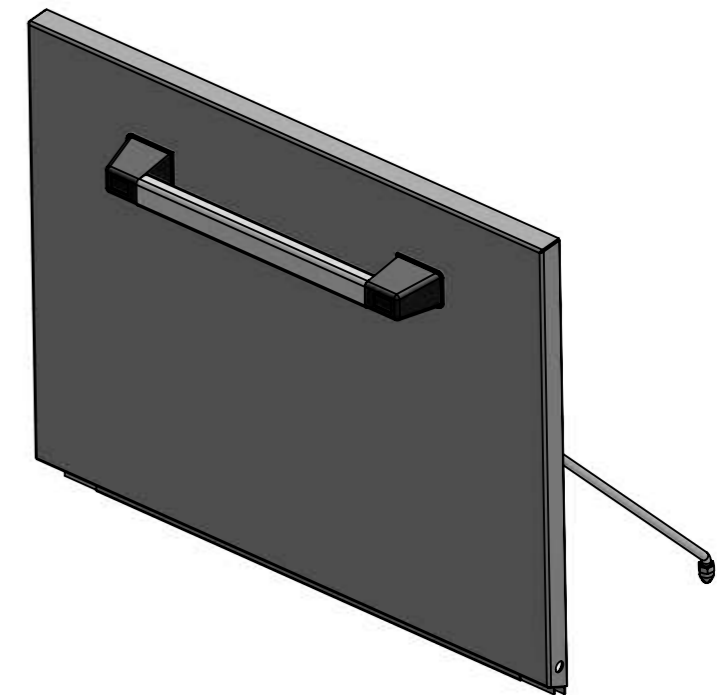
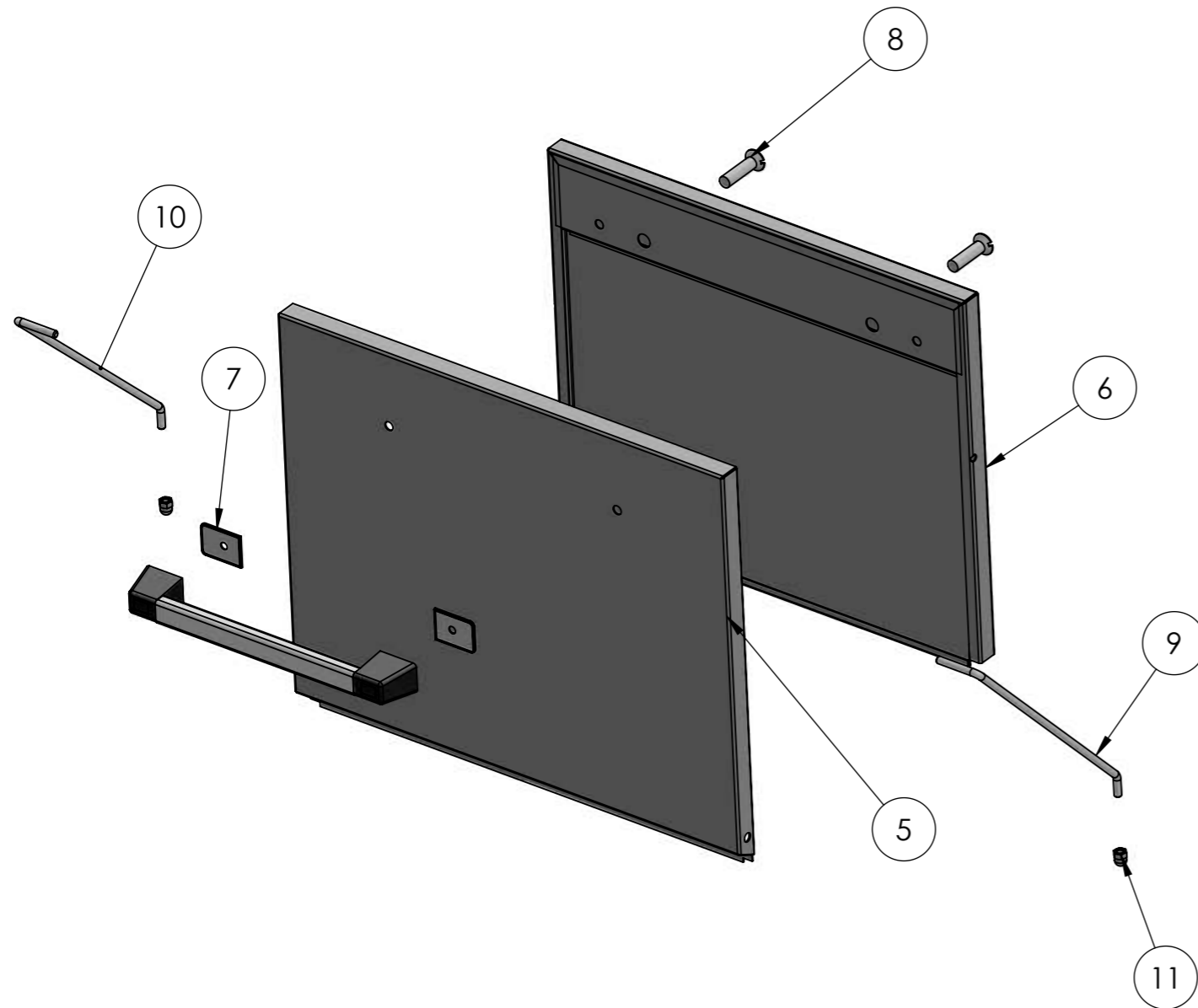
MODEL CODE:
004.40.00001

PAGE:
1

REVISION:
0.0



ITEM NO.	PART NUMBER	DESCRIPTION	QTY.
5	001.40.00008	FRONT PART OF THE DOOR E40	1
6	001.40.00005	BACK PART OF THE DOOR E40	1
7	002.00.00057	DOOR HANDLE PLASTIC FLANGE	2
8	003.00.00211	INOX COUNTERSUNK BOLD M8X30	2
9	001.00.00048	DOOR RIGHT SUPPORT AXLE M6X300	1
10	001.00.00048-M	DOOR LEFT SUPPORT AXLE M6X300	1
11	001.00.00110	DOMED CAP NUT M6	2
12	001.00.00119	DOOR HANDLECOMPLETE BL-EU	1



SERIES DESCRIPTION:
DISH WASHER

MODEL DESCRIPTION:
E40

MODEL VERSION:
EUROLINE 40 230V ~N,
50/60 Hz

ITEM CODE:
001.40.00009

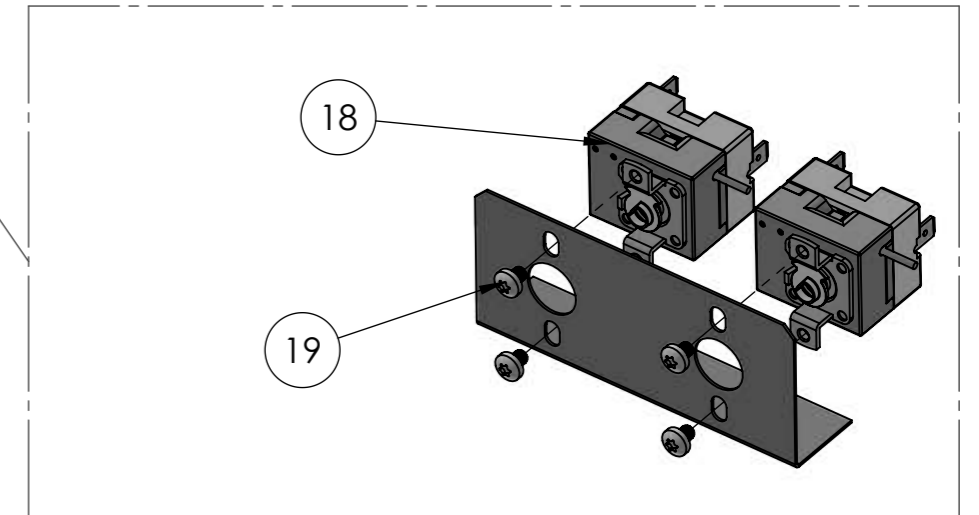
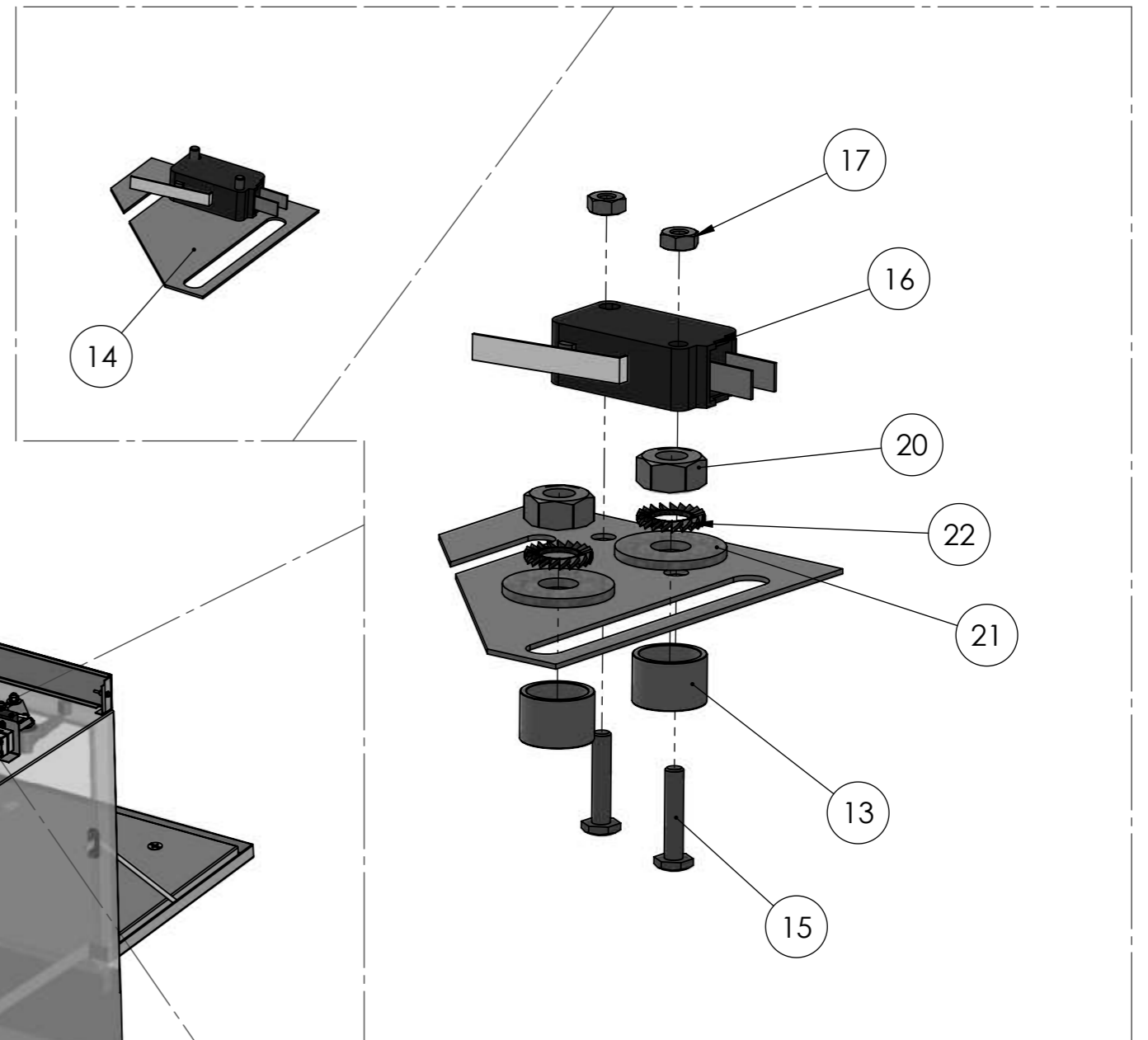
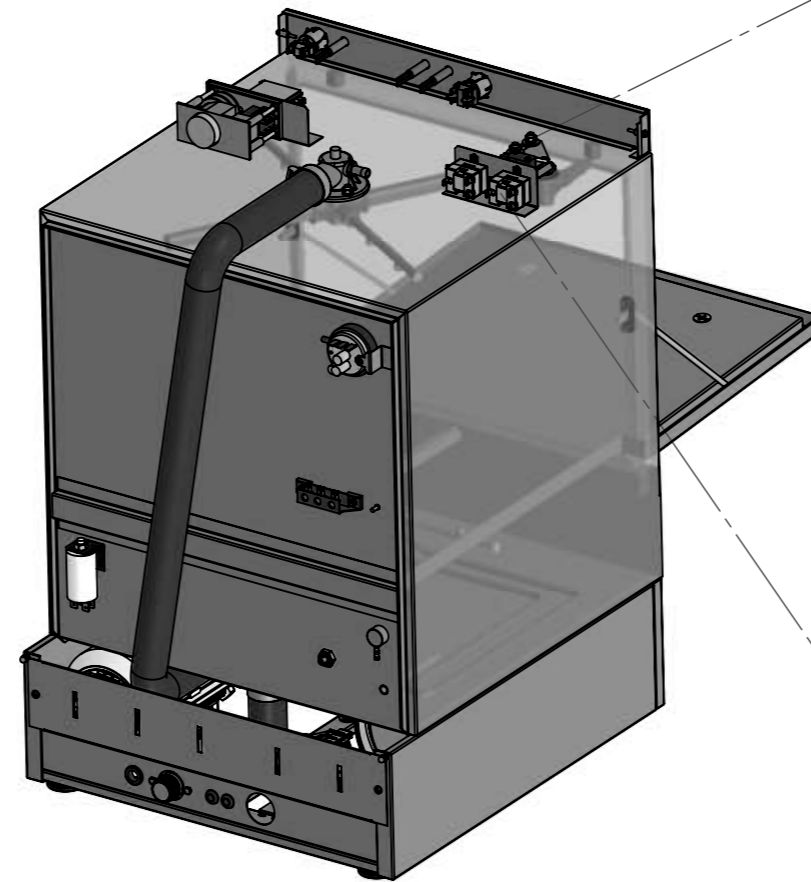
MODEL CODE:
004.40.00001

ITEM DESCRIPTION:
DOOR COMPLETE E40

PAGE:
2

REVISION:
0.0

ITEM NO.	PART NUMBER	DESCRIPTION	QTY.
13	003.00.00085	SPACER FOR DOOR SWITCH	2
14	003.00.00426	DOOR SWITCH EL. PART 35-40-50 COMPLETE	1
15	003.00.00065	GALV. HEX. BOLT M3X16	2
16	003.00.00069	DOOR MICROSWITCH 16A	1
17	002.00.00090	GALV. NUT M3	2
18	003.00.00213	THERMOSTAT 0-90°C 1500mm	2
19	001.00.00076	GALVANIZED MACHINE SCREW M4 X 5	4
20	003.00.00041	NUT M6 GALVANISED	2
21	003.00.00516	WASHER STEEL Φ6X18	2
22	001.00.00204	GALVANIZED LOCK WASHER 6,4x11x0,7	2



ITEM CODE:

ITEM DESCRIPTION:

SERIES DESCRIPTION:
DISH WASHER

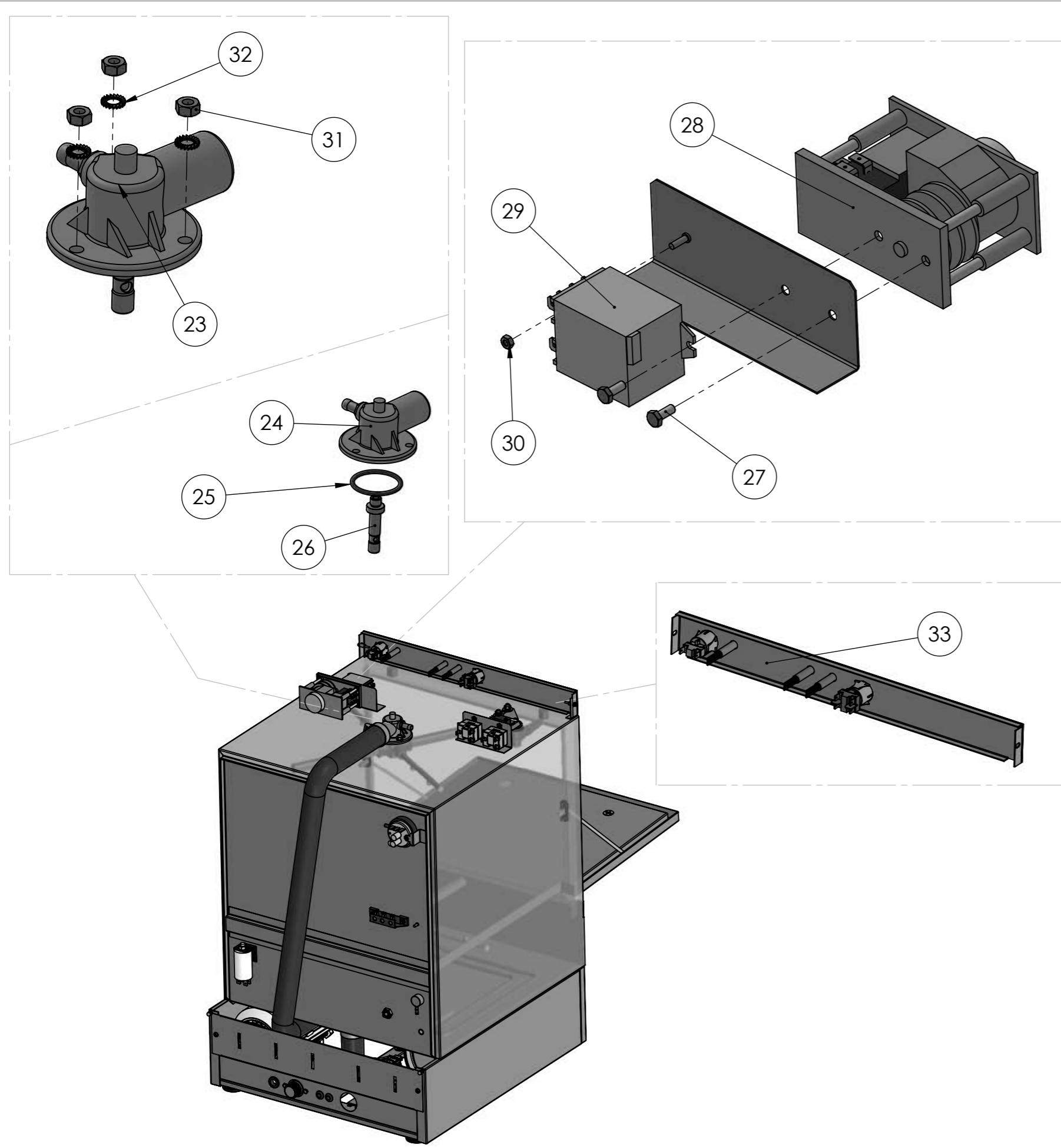
MODEL DESCRIPTION:
E40

MODEL VERSION:
EUROLINE 40 230V ~N,
50/60 Hz

MODEL CODE:
004.40.00001

PAGE:
3

REVISION:
0.0



ITEM NO.	PART NUMBER	DESCRIPTION	QTY.
23	002.40.00014	UPPER WASH&RINSE BASE COMPLETE	1
24	002.35.00019	BOTTOM PLASTIC BASE B35	1
25	002.00.00092	ORING $\Phi 40 \times 3,5$	1
26	002.40.00001	INOX AXLE F16-M10 UP EU40	1
27	6-Kt.Schraube DIN-933 M4x10-A2	GALV. BOLT M4X10	2
28	003.00.00448	TIMER 120 SEC. Q.START	1
29	003.00.00306	MICRORELAY 6PIN WITH FASTON	1
30	002.00.00090	GALV. NUT M3	1
31	003.00.00041	NUT M6 GALVANISED	3
32	001.00.00204	GALVANIZED LOCK WASHER 6,4x11x0,7	3
33	003.40.00009	DISPLAY PANEL COMPLETE EU40	1

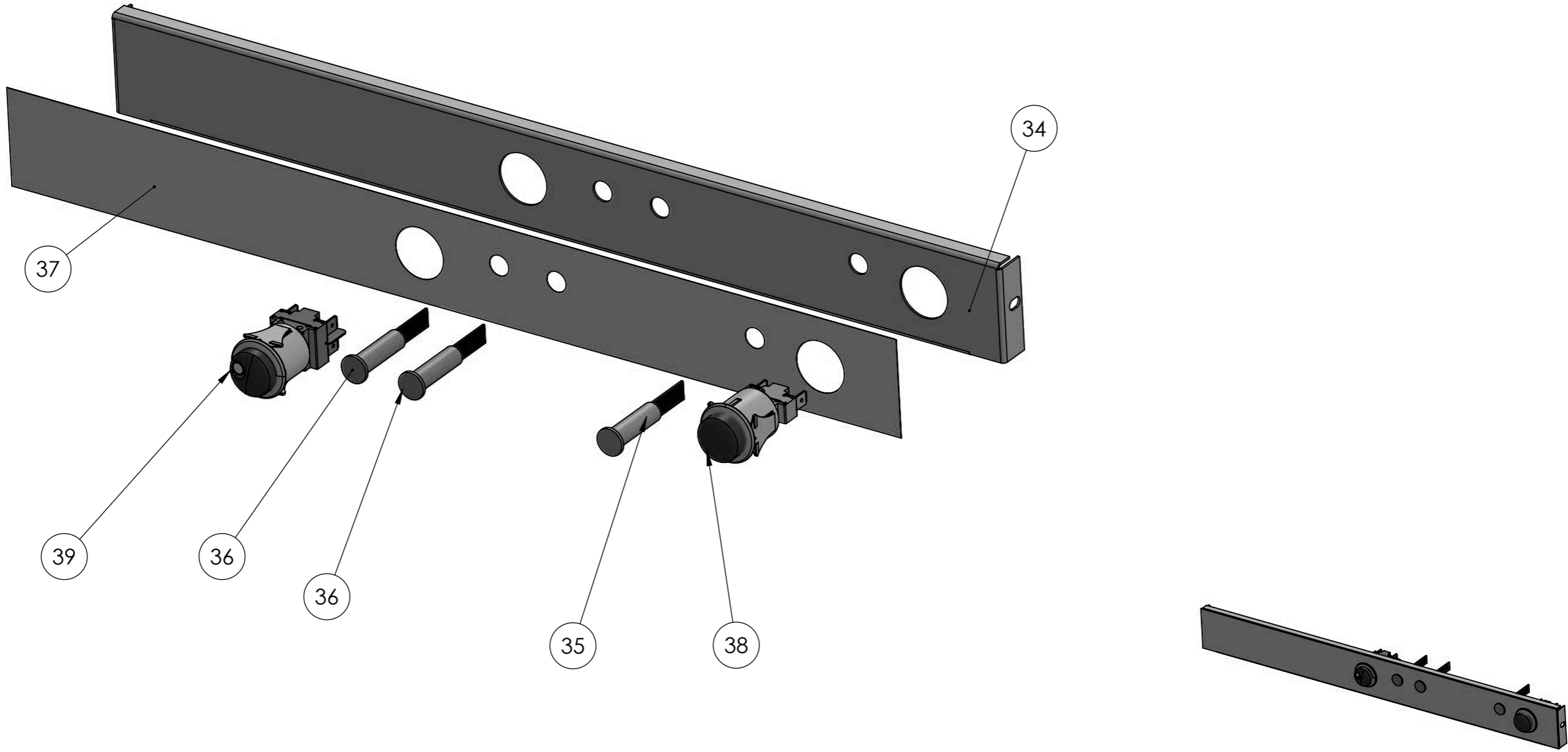
ITEM CODE:	ITEM DESCRIPTION:
MODEL CODE: 004.40.00001	PAGE: 4
	REVISION: 0.0

SERIES DESCRIPTION:
DISH WASHER

MODEL DESCRIPTION:
E40

MODEL VERSION:
EUROLINE 40 230V ~N,
50/60 Hz

ITEM NO.	PART NUMBER	DESCRIPTION	QTY.
34	001.40.00027	PANEL SWITCH INOX EU40	1
35	003.00.00176	INDICATOR GREEN	1
36	003.00.00028	INDICATOR ORANGE	2
37	003.40.00019	FILM EUROLINE 40	1
38	003.00.00564	SWITCH START ROUND TWO CONTACTS	1
39	003.00.00563	SWITCH ON-OFF ROUND 4 CONT.	1

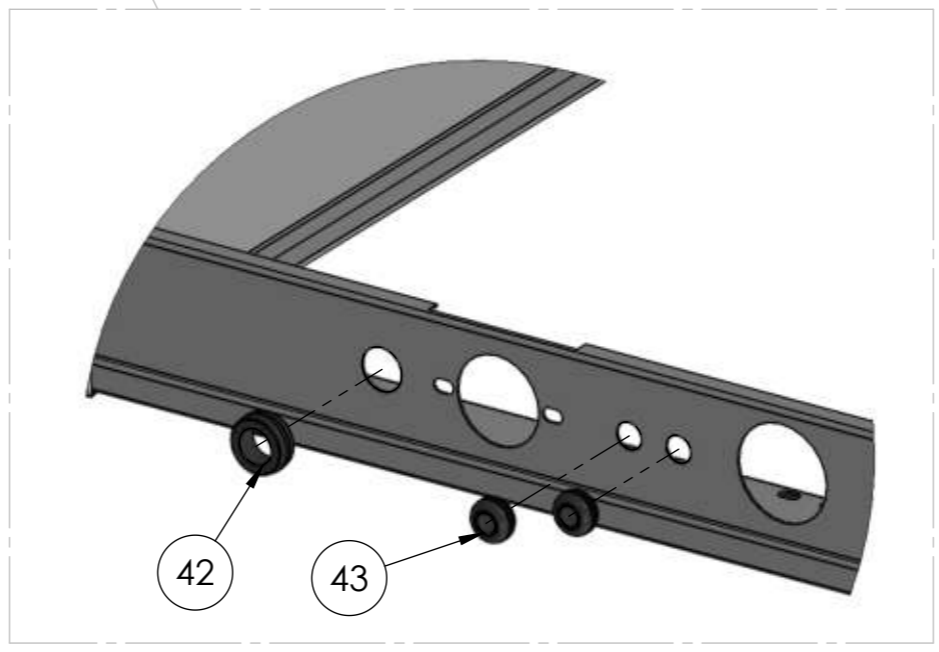
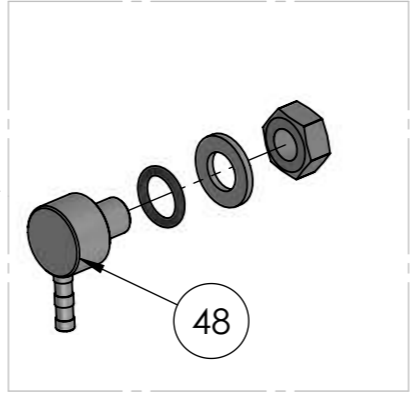
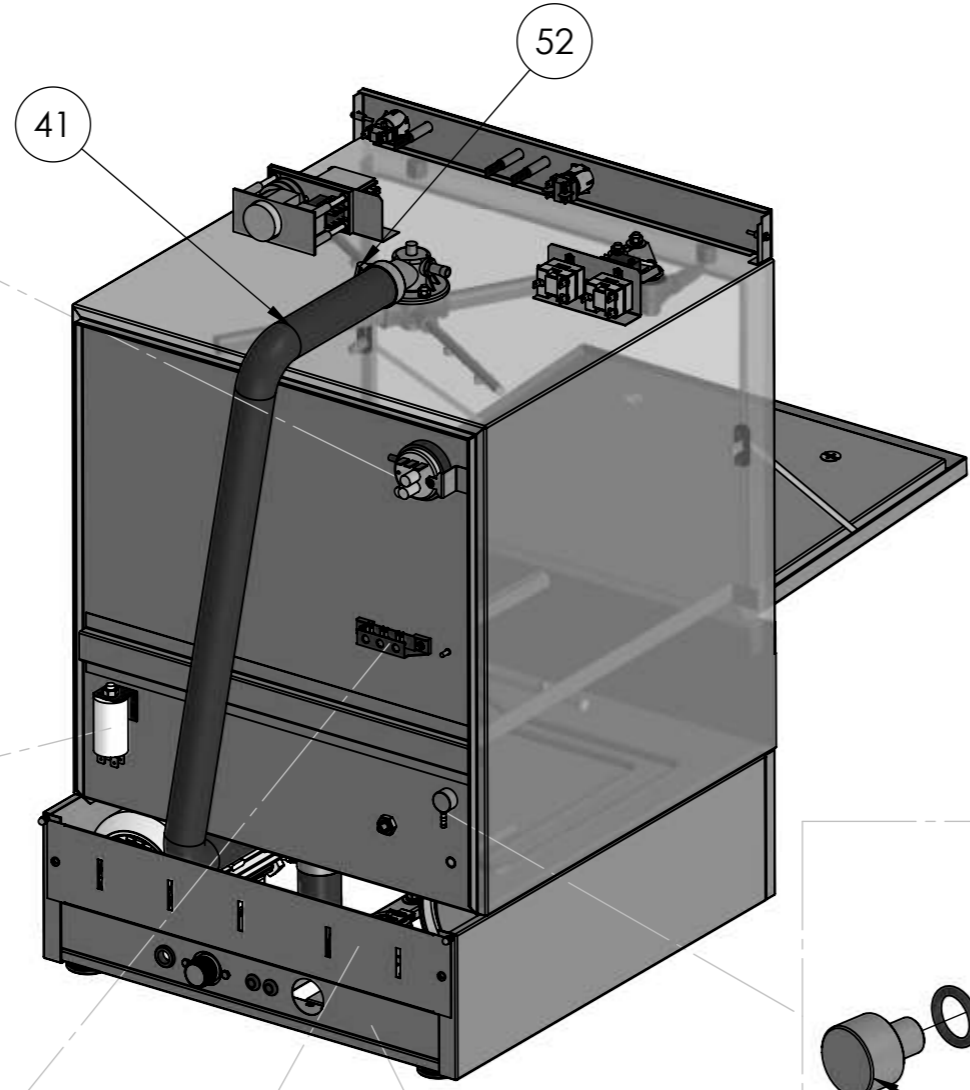
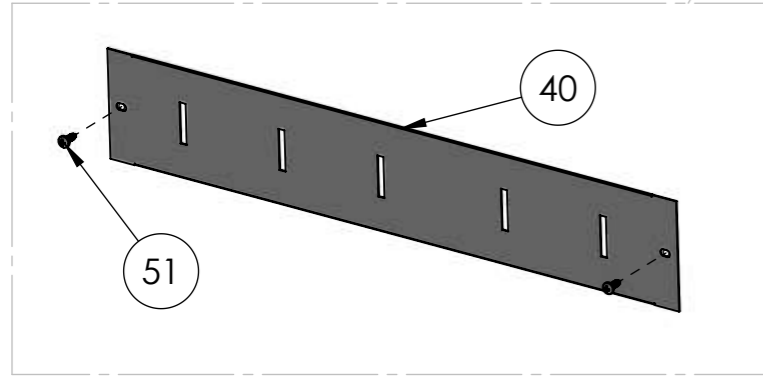
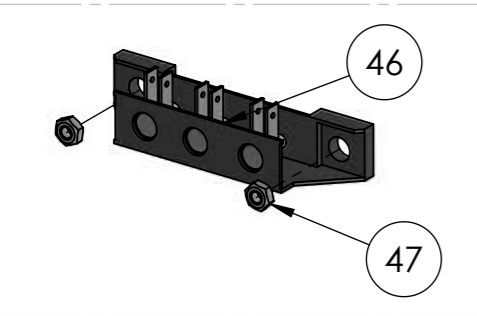
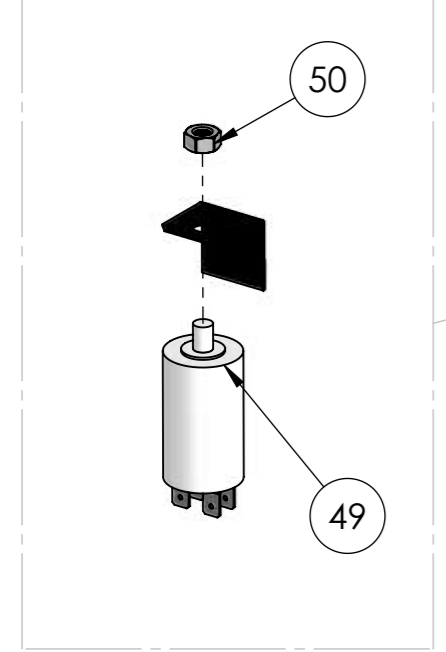
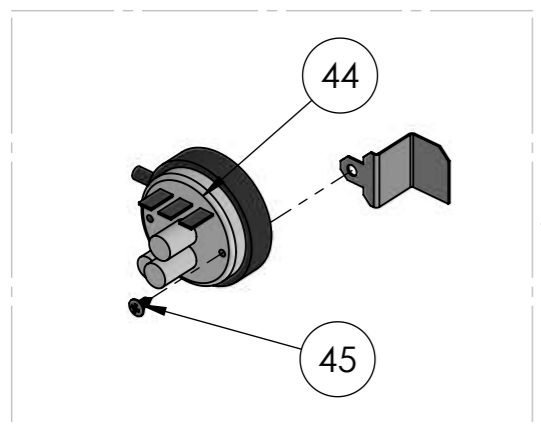


ITEM CODE: 003.40.00009	ITEM DESCRIPTION:
MODEL CODE: 004.40.00001	PAGE: 5
	REVISION: 0.0

SERIES DESCRIPTION:
DISH WASHER

MODEL DESCRIPTION:
E40

MODEL VERSION:
EUROLINE 40 230V ~N,
50-60 Hz



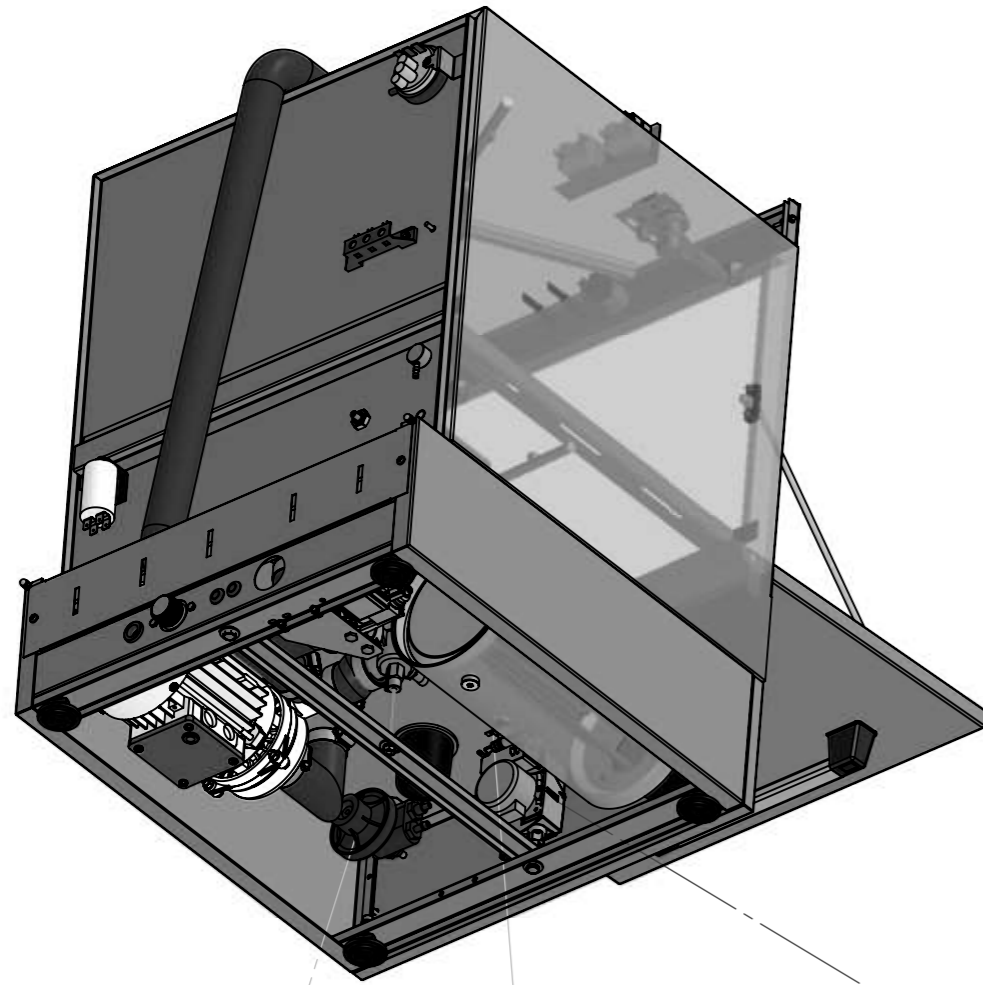
ITEM NO.	PART NUMBER	DESCRIPTION	QTY.
40	001.40.00013	BASE INOX BACK COVER E40	1
41	002.40.00023	WASHING PIPE OUTLET	1
42	003.00.00347	RUBBER CABLE PROTECTION N.01	1
43	003.00.00025	CABLE RUBBER PROTECTOR	2
44	003.00.00033	PRESSOSTAT	1
45	003.00.00200	TAPPING SCREW 3.5X9.50	1
46	003.00.00392	POWER SUPPLY BOARD 3CON	1
47	003.00.00046	NUT M4 (GALV)	2
48	002.00.00233	DETERGENT TANK INJECTOR	1
49	003.00.00533	CAPACITOR 6.3μF	1
50	003.00.00301	NUT M8 GALV	1
51	003.00.00309	INOX TAPPING SCREW Φ4,1 X 13	2
52	002.00.00048	CLAMP 25-40	1

ITEM CODE:	ITEM DESCRIPTION:	
MODEL CODE: 004.40.00001	PAGE: 6	REVISION: 0.0

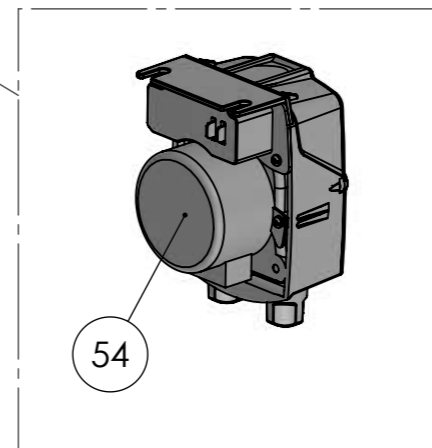
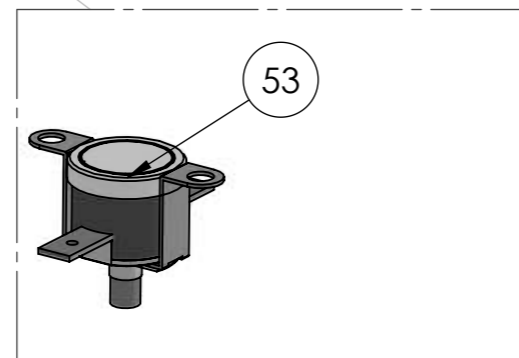
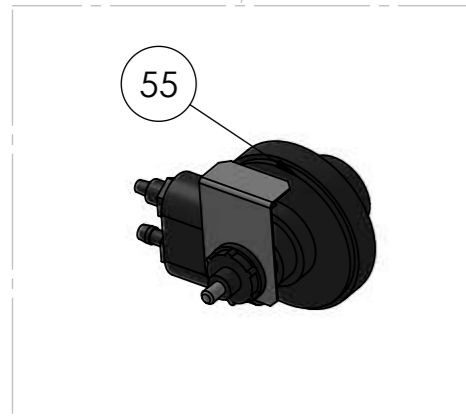
SERIES DESCRIPTION:
DISH WASHER

MODEL DESCRIPTION:
E40

MODEL VERSION:
EUROLINE 40 230V ~N,
50-60 Hz



ITEM NO.	PART NUMBER	DESCRIPTION	QTY.
53	003.00.00168	THERMOFUSE TANK 90C	1
54	003.00.00429	PERISTALTIC DETERGENT PUMP G300 / 230V	1
55	003.00.00268	HYDRAULIC RINSE AID PUMP	1



SERIES DESCRIPTION:
DISH WASHER

MODEL DESCRIPTION:
E40

MODEL VERSION:
EUROLINE 40 230V ~N,
50-60 Hz

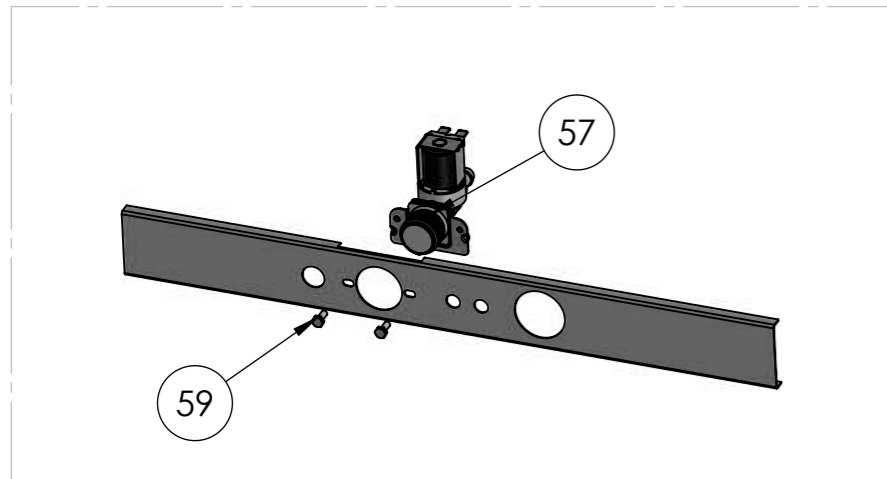
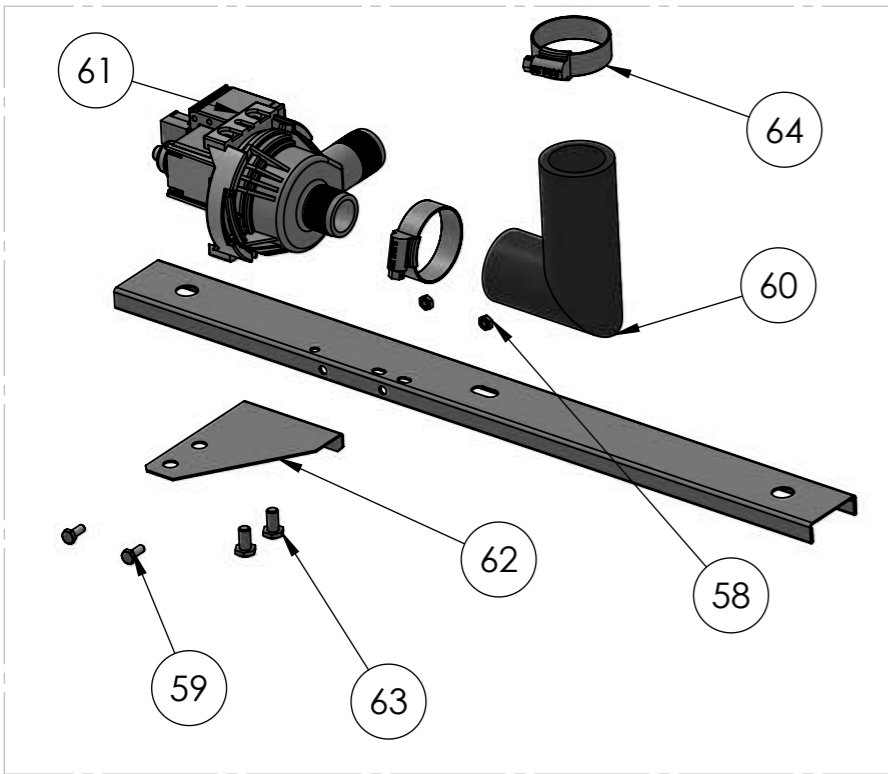
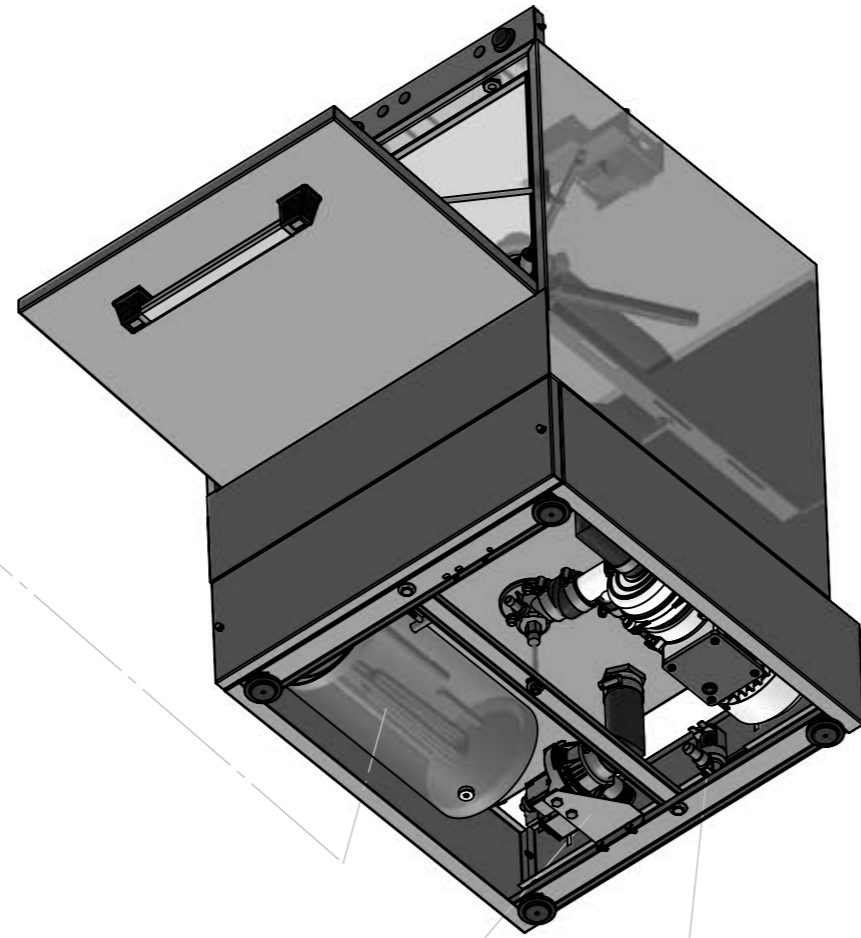
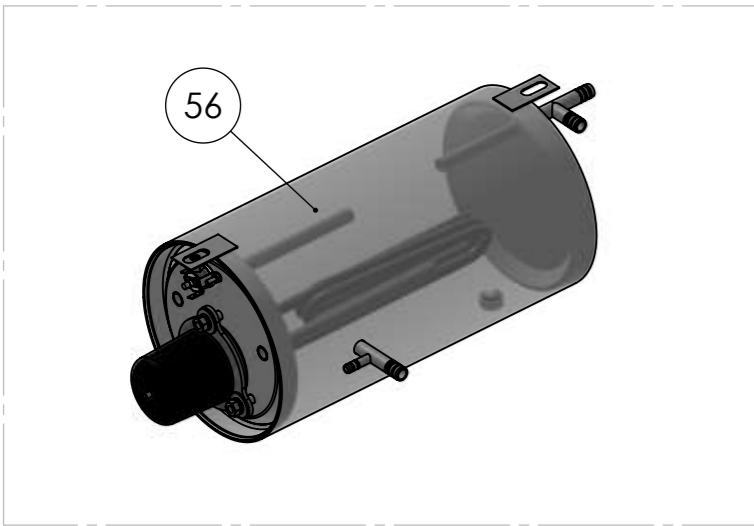
ITEM CODE:

ITEM DESCRIPTION:

MODEL CODE:
004.40.00001

PAGE:
7

REVISION:
0.0



ITEM NO.	PART NUMBER	DESCRIPTION	QTY.
56	006.40.00001	BOILER COMPLETE WITH HEATER ELEMENT EU40-230V	1
57	003.00.00031	WATER INPUT VALVE	1
58	003.00.00046	NUT M4 (GALV)	2
59	003.00.00278	GALV. BOLT M4X10	4
60	002.40.00024	INPUT HOSE FOR DRAINING PUMP	1
61	003.00.00184	TANK DRAINING PUMP 230V / 65W	1
62	001.50.00065	INOX BASE FOR DRAINING PUMP V500	1
63	003.00.00355	INOX HEX SCREW M6X12	2
64	002.00.00048	CLAMP 25-40	2

ITEM CODE:

ITEM DESCRIPTION:

SERIES DESCRIPTION:
DISH WASHER

MODEL DESCRIPTION:
E40

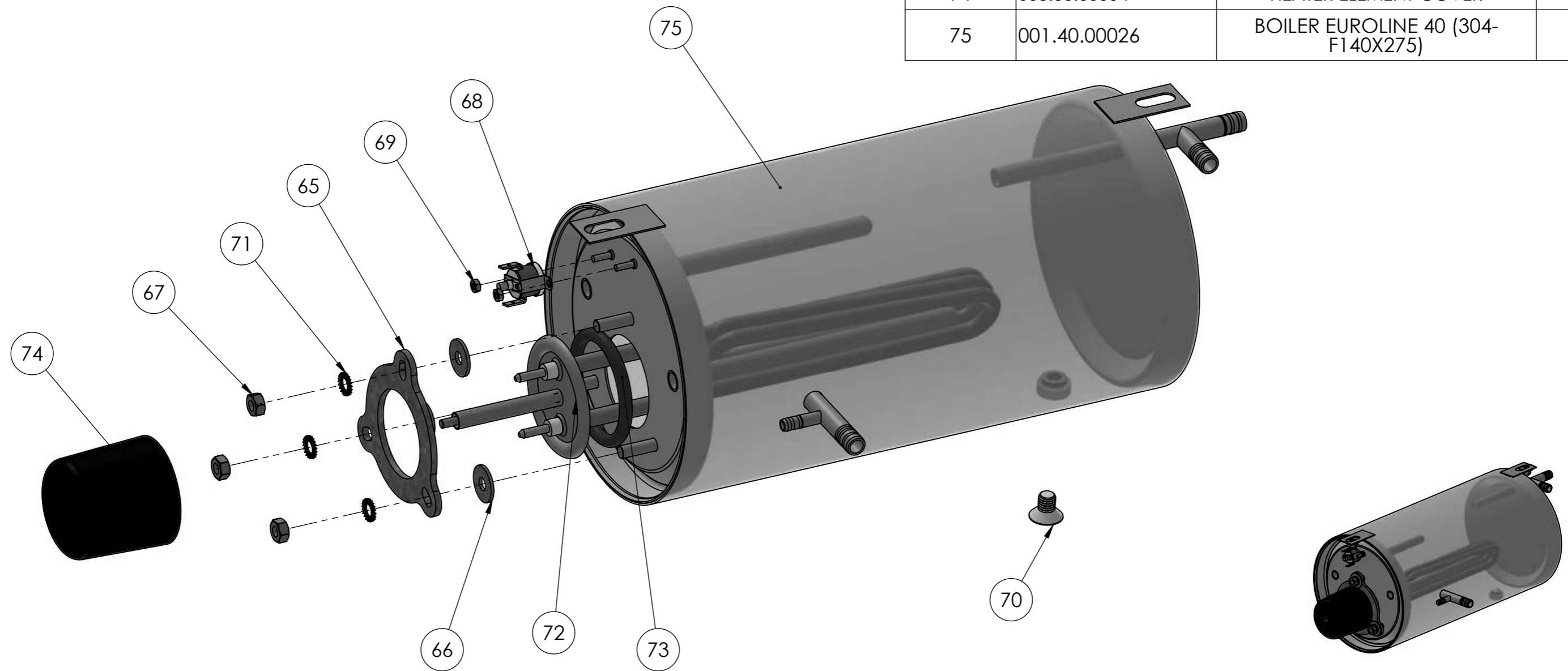
MODEL VERSION:
EUROLINE 40 230V ~N,
50-60 Hz

MODEL CODE:
004.40.00001

PAGE:
8

REVISION:
0.0

ITEM NO.	PART NUMBER	DESCRIPTION	QTY.
65	003.00.00260	BOILER ELEMENT FITTING BASE	1
66	003.00.00516	WASHER STEEL $\Phi 6 \times 18$	3
67	003.00.00041	NUT M6 GALVANISED	3
68	003.00.00180	BOILER THERMOFUSE 105°C	1
69	002.00.00090	GALV. NUT M3	2
70	003.00.00258	STAINLESS CAP SCREW M8X12	1
71	001.00.00204	GALVANIZED LOCK WASHER 6,4x11x0,7	3
72	003.40.00006	HEATING ELEMENT BOILER EU40	1
73	002.00.00150	O-RING 45X6	1
74	003.00.00004	HEATER ELEMENT COVER	1
75	001.40.00026	BOILER EUROLINE 40 (304- F140X275)	1



SERIES DESCRIPTION:
DISH WASHER

MODEL DESCRIPTION:
E40

MODEL VERSION:
EUROLINE 40 230V ~N,
50-60 Hz

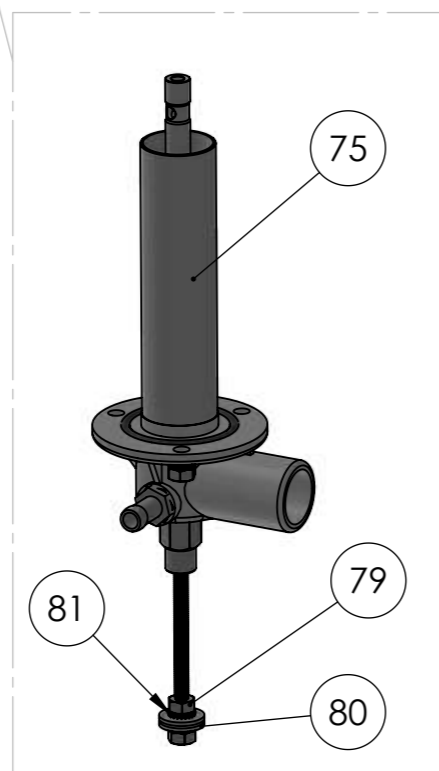
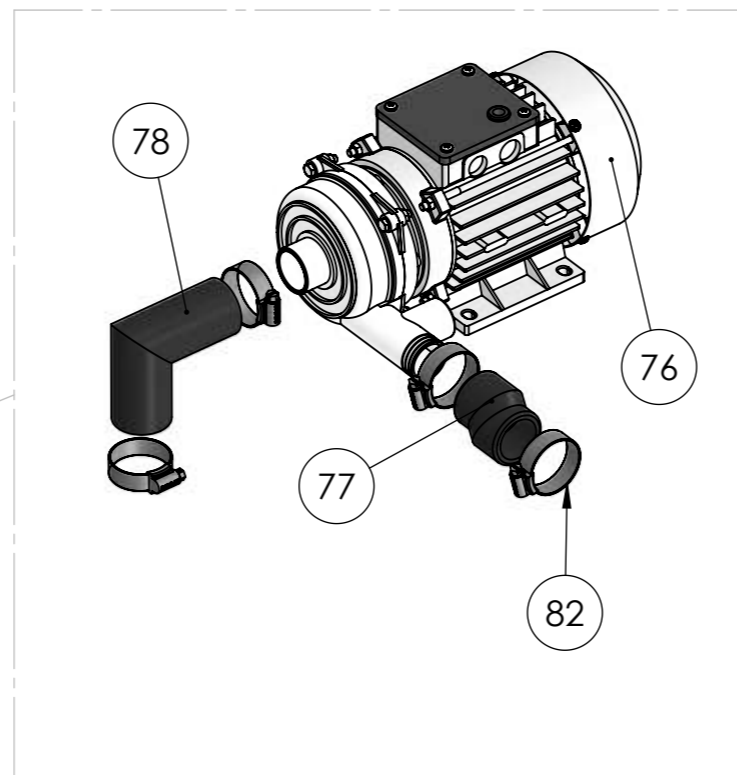
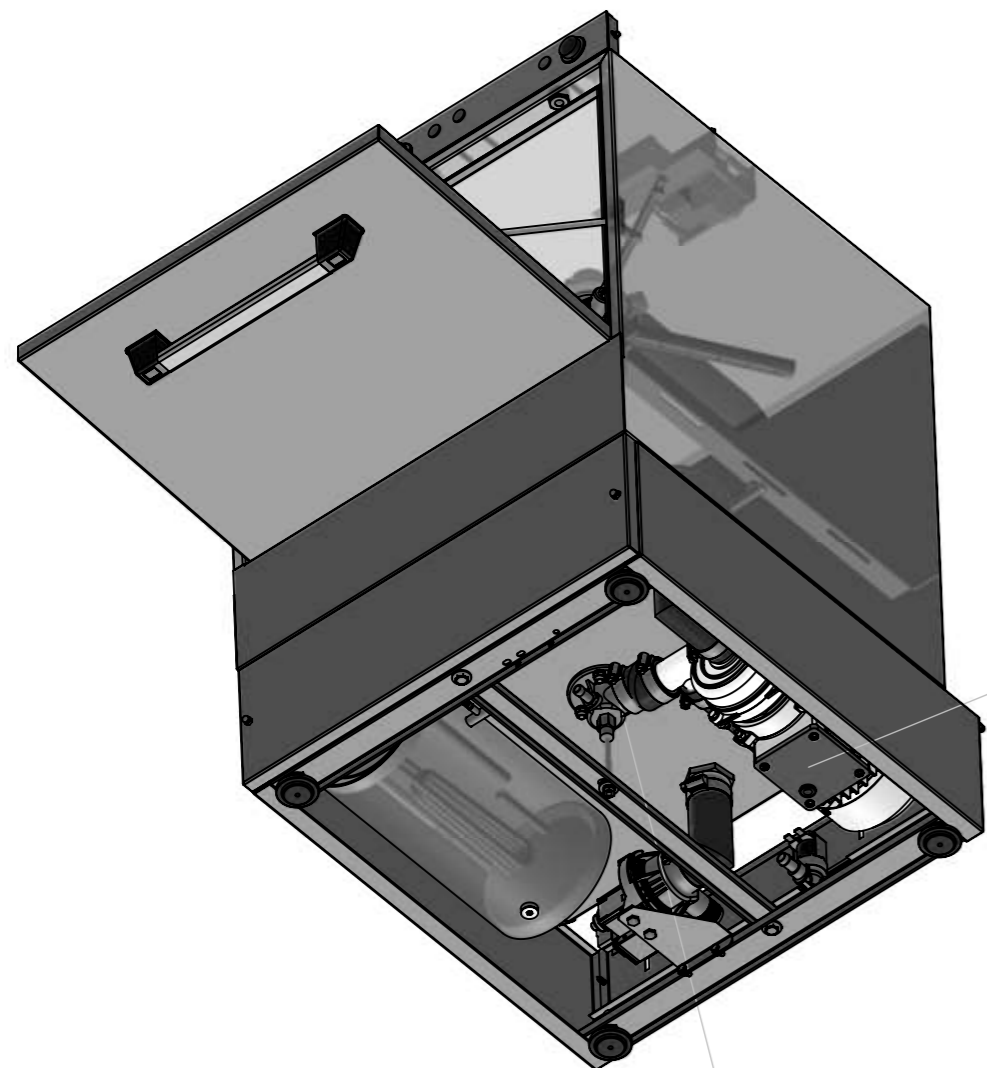
ITEM CODE:
006.40.00001

MODEL CODE:
004.40.00001

ITEM DESCRIPTION:
BOILER COMPLETE WITH HEATER
ELEMENT EU40-230V

PAGE:
9

REVISION:
0.0



ITEM NO.	PART NUMBER	DESCRIPTION	QTY.
75	002.40.00012	LOWER WASH&RINSE BASE COMPLETE EU40	1
76	003.40.00005	PUMP 0.30HP 50HZ 230V IP44	1
77	002.00.00178	WASH PUMP HOSE (OUTPUT)	1
78	002.40.00025	INLET HOSE FOR PUMP EU40	1
79	003.00.00041	NUT M6 GALVANISED	2
80	003.00.00516	WASHER STEEL Φ 6X18	2
81	001.00.00204	GALVANIZED LOCK WASHER 6,4x11x0,7	2
82	002.00.00048	CLAMP 25-40	4

ITEM CODE:

ITEM DESCRIPTION:

SERIES DESCRIPTION:
DISH WASHER

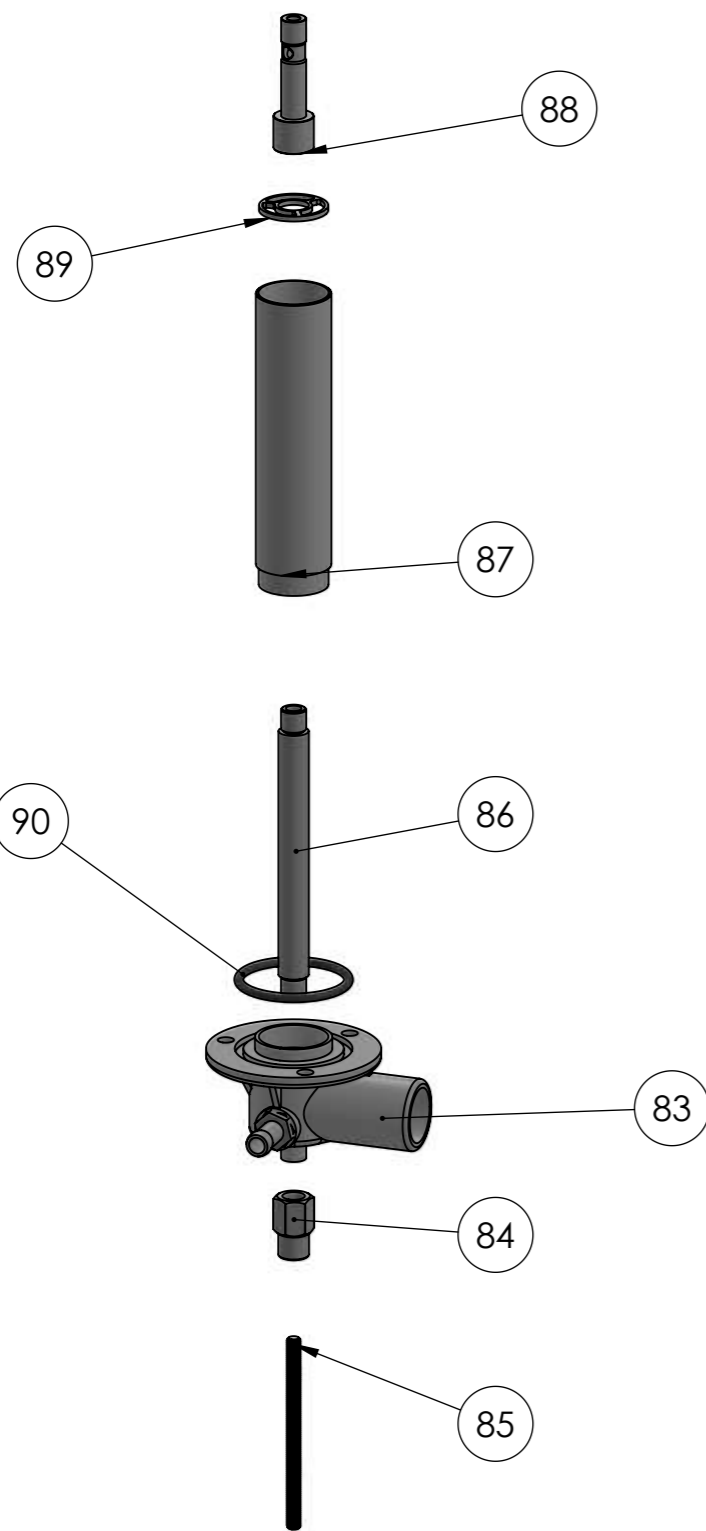
MODEL DESCRIPTION:
E40

MODEL VERSION:
EUROLINE 40 230V ~N,
50-60 Hz

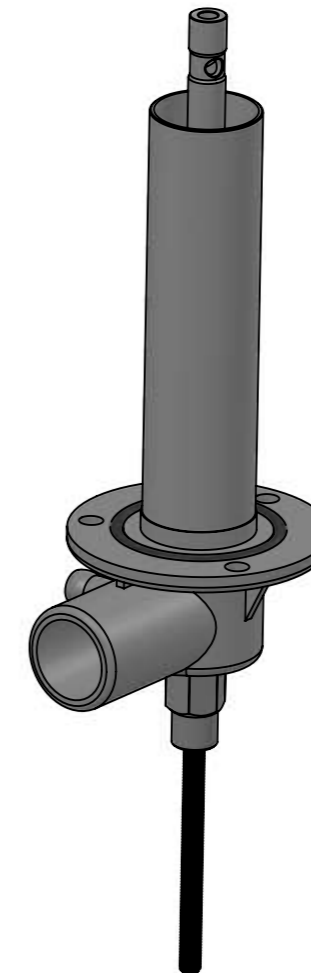
MODEL CODE:
004.40.00001

PAGE:
10

REVISION:
0.0



ITEM NO.	PART NUMBER	DESCRIPTION	QTY.
83	002.35.00019	BOTTOM PLASTIC BASE B35	1
84	002.35.00024	HEXAGON BRONZE SPACER 4X25 M6	1
85	002.40.00010	SCREW M6X80	1
86	002.40.00004	AXLE F12X121.5 M10 EU40	1
87	002.40.00003	WASH PIPE INOX F30 EU40	1
88	002.35.00016	INOX AXLE Φ 16 M6	1
89	002.35.00006	INOX ROUND SPACER Φ 30	1
90	002.00.00092	ORING Φ 40X3,5	1



SERIES DESCRIPTION:
DISH WASHER

MODEL DESCRIPTION:
E40

MODEL VERSION:
EUROLINE 40 230V ~N,
50-60 Hz

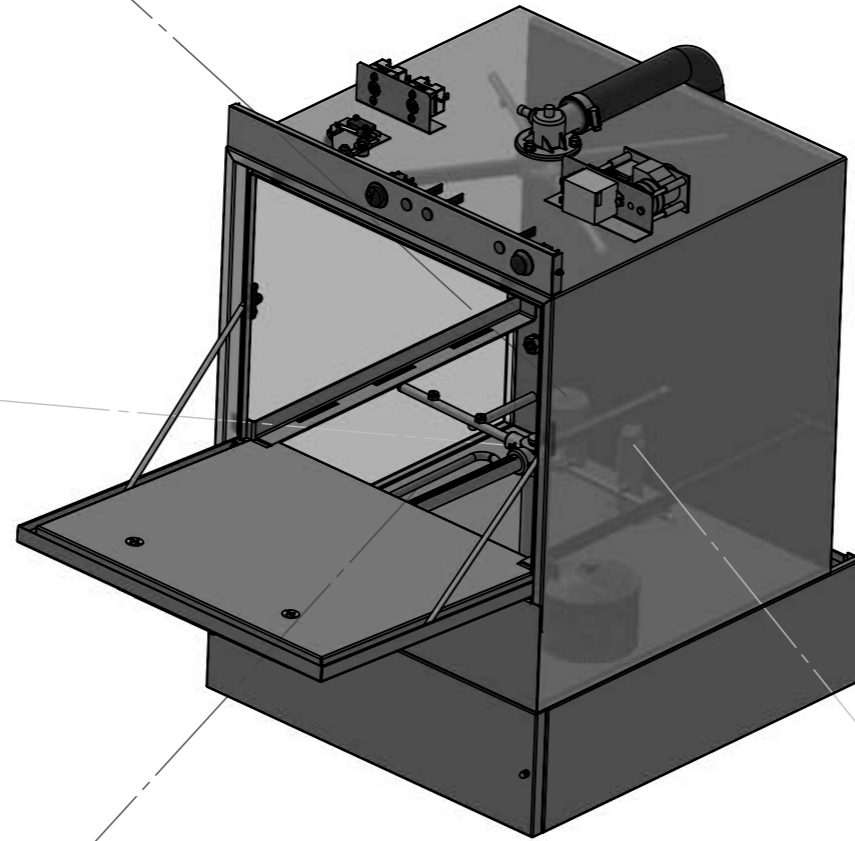
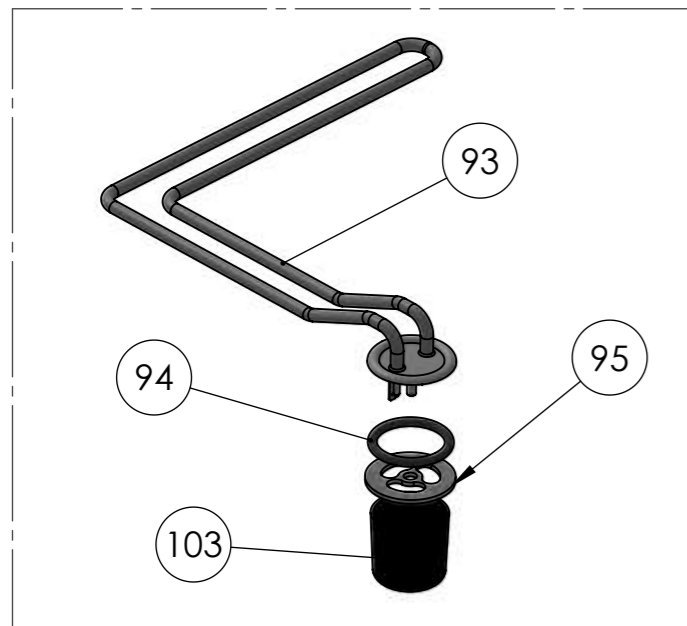
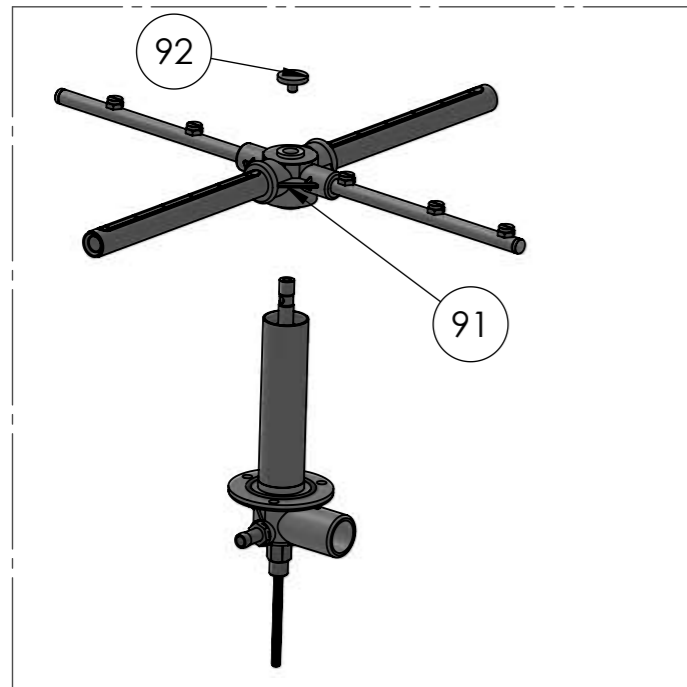
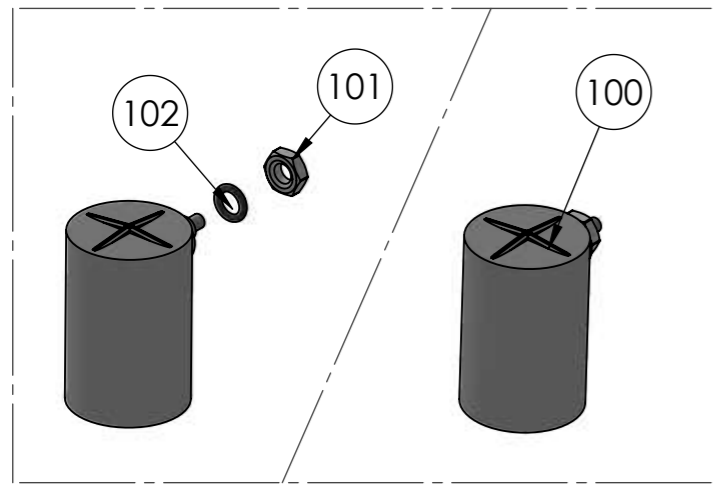
ITEM CODE:
002.40.00012

MODEL CODE:
004.40.00001

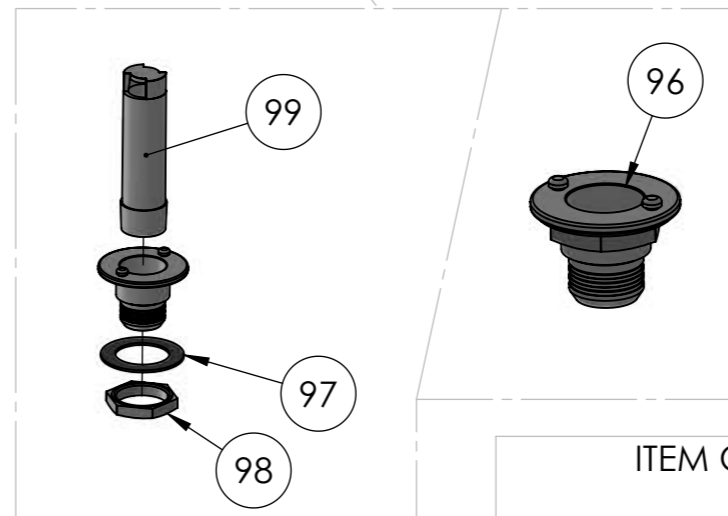
ITEM DESCRIPTION:
LOWER WASH&RINSE
BASE COMPLETE EU40

PAGE:
11

REVISION:
0.0



ITEM NO.	PART NUMBER	DESCRIPTION	QTY.
91	002.40.00013	RINSING&WASHING CROSS EU40 COMPLETE	1
92	002.50.00004	LOCK NUT FOR RINSING ARM	1
93	003.40.00011	HEATER ELEMENT TANK 2.5KW	1
94	002.00.00150	O-RING 45X6	1
95	003.00.00570	TANK HEATING ELEMENT RETAINING BRACKET	1
96	002.00.00257	DRAIN AND OVERFLOW VALVE PLASTIC BASE	1
97	002.00.00238	RUBBER GASKET 35X55X1	1
98	002.00.00133	BRONZE NUT M36	1
99	002.30.00007	DRAIN AND OVERFLOW VALVE PLASTIC PART	1
100	003.00.00552	PRESSOSTAT CHAMBER BL35-EU40	1
101	001.00.00093	NUT M10 INOX	1
102	002.00.00091	ORING 3X10,5	1
103	003.00.00004	HEATER ELEMENT COVER	1



SERIES DESCRIPTION:
DISH WASHER

MODEL DESCRIPTION:
E40

MODEL VERSION:
EUROLINE 40 230V ~N,
50-60 Hz

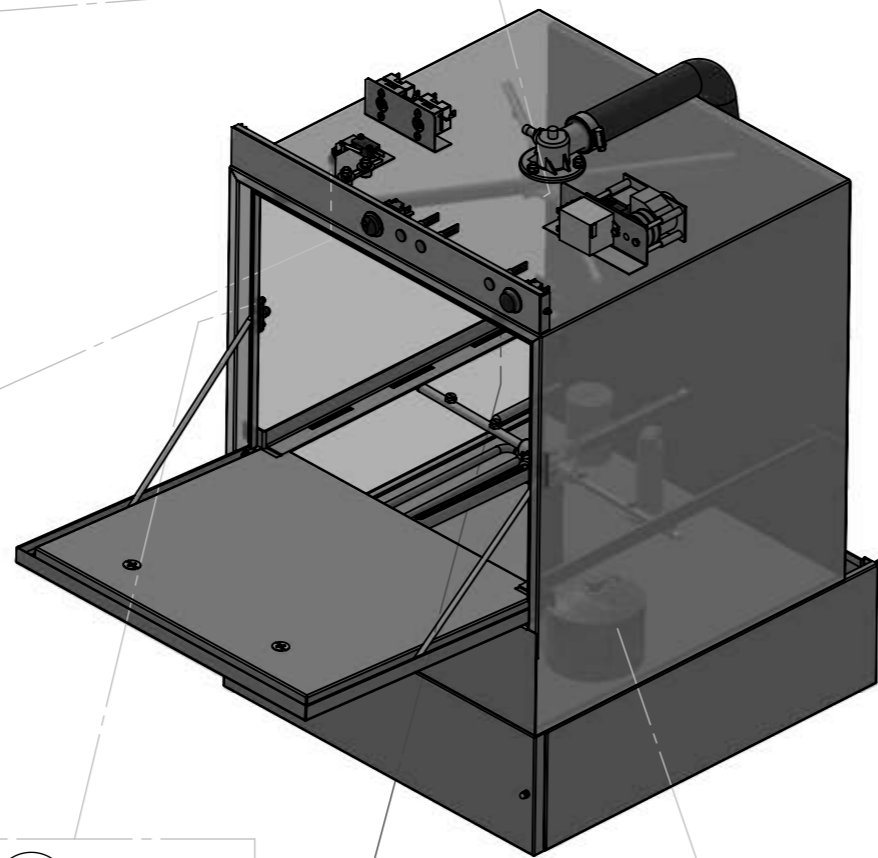
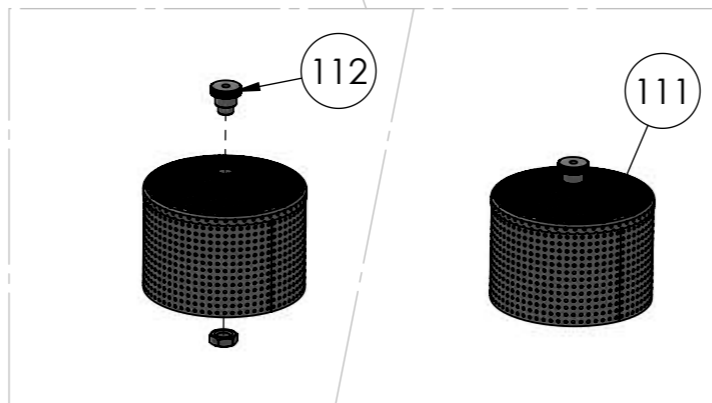
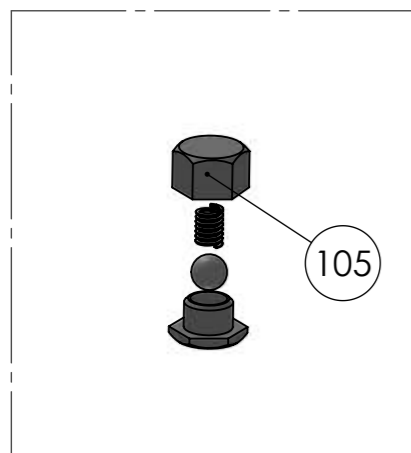
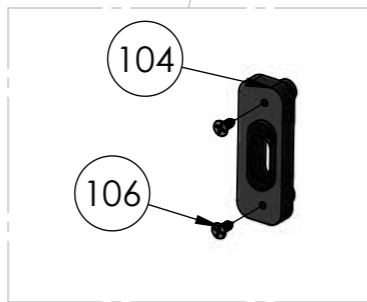
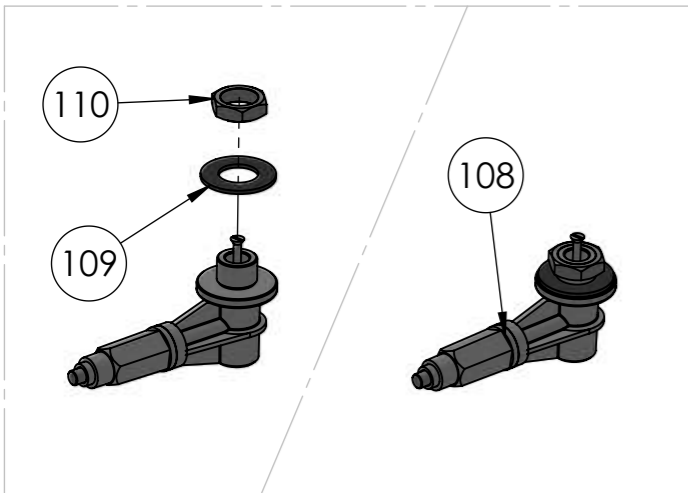
MODEL CODE:
004.40.00001

PAGE:
12

REVISION:
0.0

ITEM CODE:

ITEM DESCRIPTION:



ITEM NO.	PART NUMBER	DESCRIPTION	QTY.
104	001.00.00221	PLASTIC GUIDE FOR DOOR AXLE	2
105	001.00.00051	DOOR SNAP SET	2
106	001.00.00073	INOX SCREW 2,9 X 10	4
107	002.40.00013	RINSING&WASHING CROSS EU40 COMPLETE	1
108	003.00.00231	DOOR SWITCH MECH. PART	1
109	003.00.00489	RUBBER GASKET 16X30X3	1
110	003.00.00071	NUT FOR DOOR SWITCH	1
111	001.30.00030	FILTER FOR PUMP IN THE TANK BL35-EU40	1
112	001.00.00017	FILTER RETAINING NUT	1

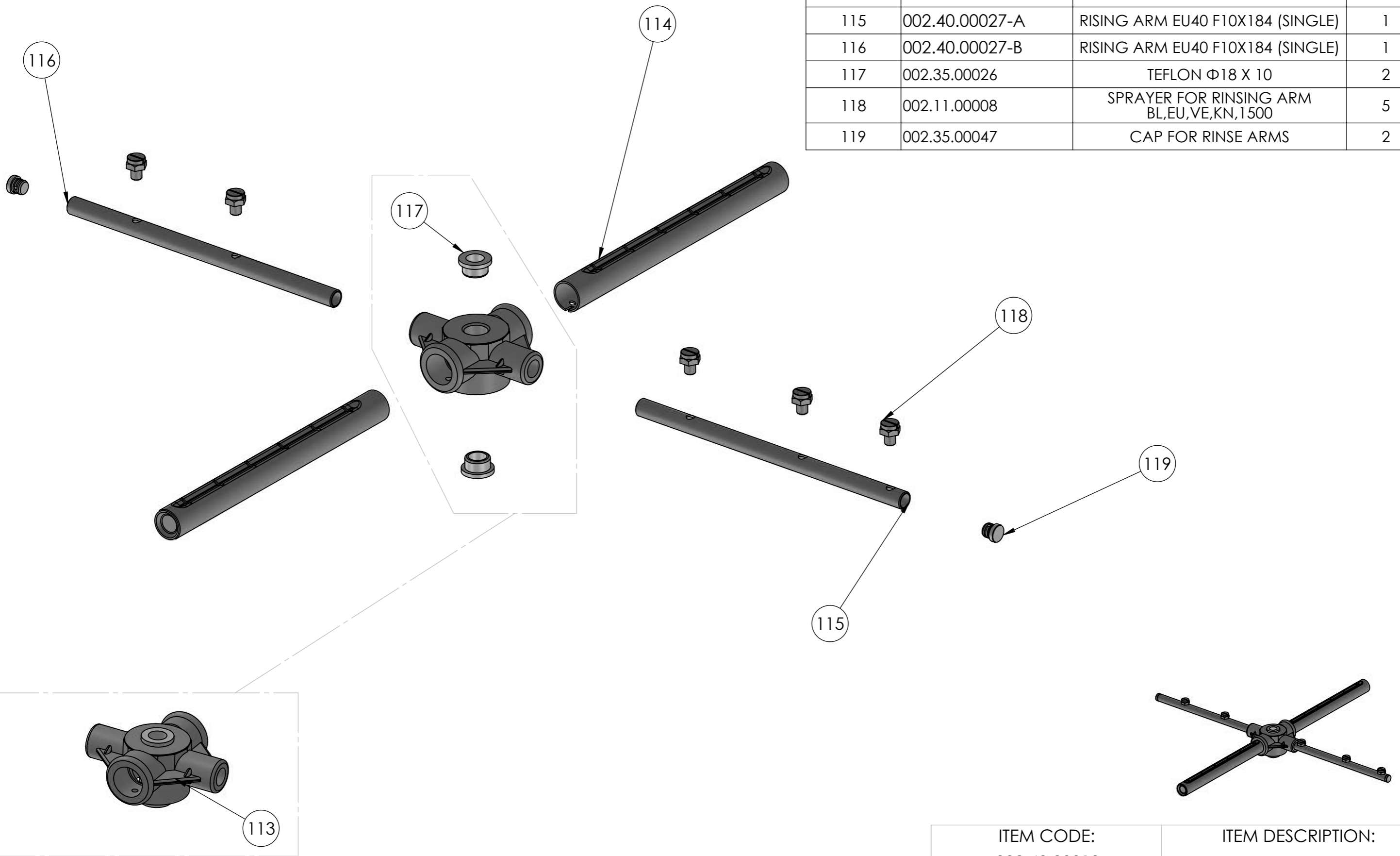
ITEM CODE:	ITEM DESCRIPTION:	
MODEL CODE: 004.40.00001	PAGE: 13	REVISION: 0.0

SERIES DESCRIPTION:
DISH WASHER

MODEL DESCRIPTION:
E40

MODEL VERSION:
EUROLINE 40 230V ~N,
50-60 Hz

ITEM NO.	PART NUMBER	DESCRIPTION	QTY.
113	002.35.00018	RINSING-WASHING GROUP CROSS BL-EU	1
114	002.40.00009	PIPES EU40 INOX F18X1X182	2
115	002.40.00027-A	RISING ARM EU40 F10X184 (SINGLE)	1
116	002.40.00027-B	RISING ARM EU40 F10X184 (SINGLE)	1
117	002.35.00026	TEFLON Φ 18 X 10	2
118	002.11.00008	SPRAYER FOR RINSING ARM BL,EU,VE,KN,1500	5
119	002.35.00047	CAP FOR RINSE ARMS	2



ITEM CODE: 002.40.00013	ITEM DESCRIPTION:
MODEL CODE: 004.40.00001	PAGE: 14
	REVISION: 0.0

SERIES DESCRIPTION:
DISH WASHER

MODEL DESCRIPTION:
E40

MODEL VERSION:
EUROLINE 40 230V ~N,
50-60 Hz