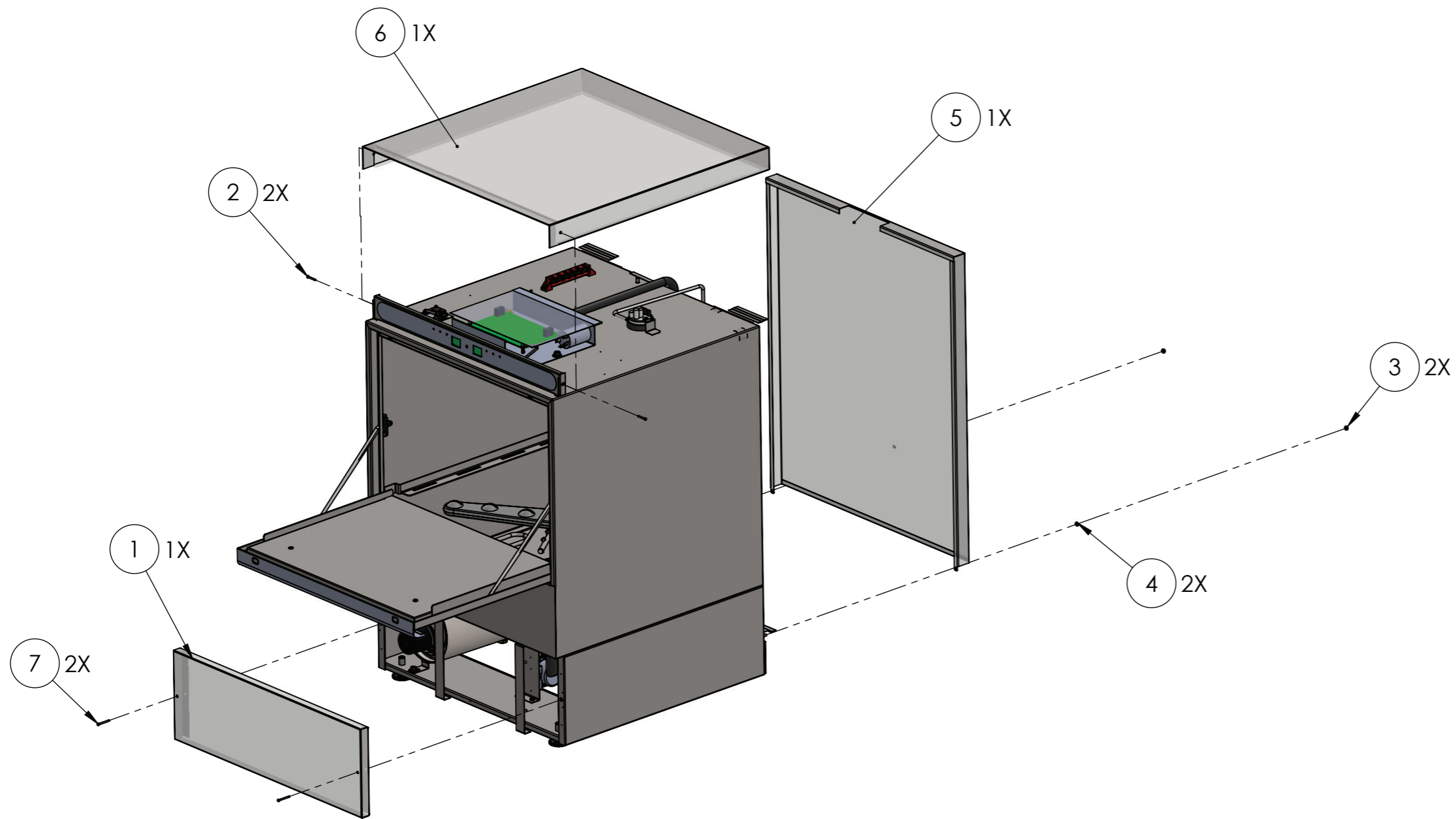


ITEM NO.	PART NUMBER	DESCRIPTION	QTY.
1	001.50.00048	FRONT COVER INOX V50	1
2	001.00.00213	INOX SCREW M4X15	2
3	002.00.00095	INOX NUT M4	2
4	002.00.00140	LOCK WASHER INOX $\Phi$ 4	2
5	001.50.00043	BACK COVER INOX V50 - K50	1
6	001.50.00015	UPPER COVER INOX V50 - K50	1
7	001.00.00261	INOX SCREW M4X30	2



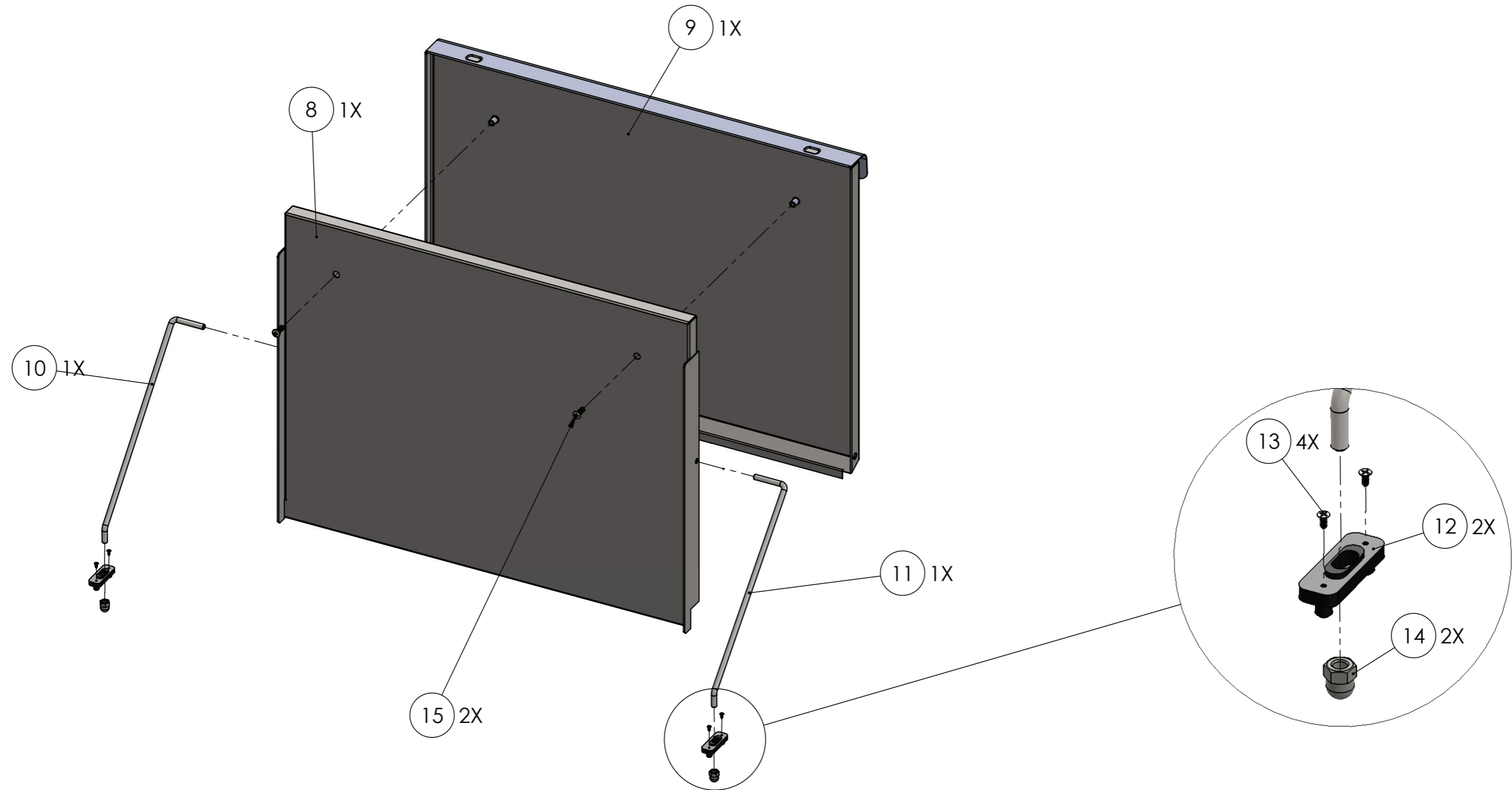
ITEM CODE:	ITEM DESCRIPTION:
MODEL CODE: 004.50.00024	PAGE: 01
	REVISION: 01

SERIES DESCRIPTION:  
DISHWASHER

MODEL DESCRIPTION:  
500

MODEL VERSION:  
380-415V 3~N 50/60 Hz

ITEM NO.	PART NUMBER	DESCRIPTION	QTY.
8	001.50.00011	BACK PART OF THE DOOR V-K	1
9	001.50.00027	FRONT PART OF THE DOOR V-K	1
10	001.00.00048	DOOR RIGHT SUPPORT AXLE M6X300	1
11	001.00.00048-M	DOOR LEFT SUPPORT AXLE M6X300	1
12	001.00.00221	PLASTIC GUIDE FOR DOOR AXLE	2
13	001.00.00073	INOX SCREW 2,9 X 10	4
14	001.00.00110	DOMED CAP NUT M6	2
15	001.00.00262	INOX TAPPERD SCREW M5X16	2



SERIES DESCRIPTION:  
DISHWASHER

MODEL DESCRIPTION:  
500

MODEL VERSION:  
380-415V 3~N 50/60 Hz

ITEM CODE:  
001.50.00046

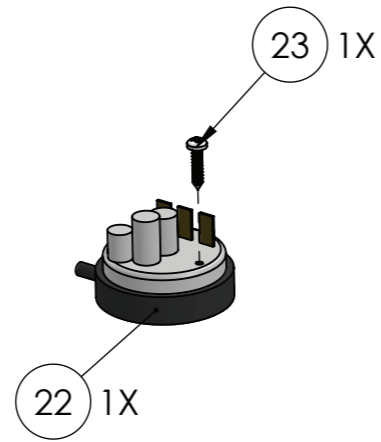
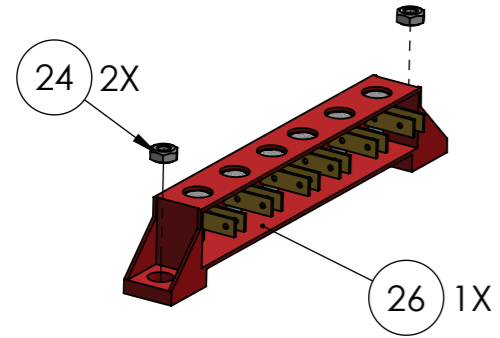
MODEL CODE:  
004.50.00024

ITEM DESCRIPTION:  
DOOR COMPLETE 500

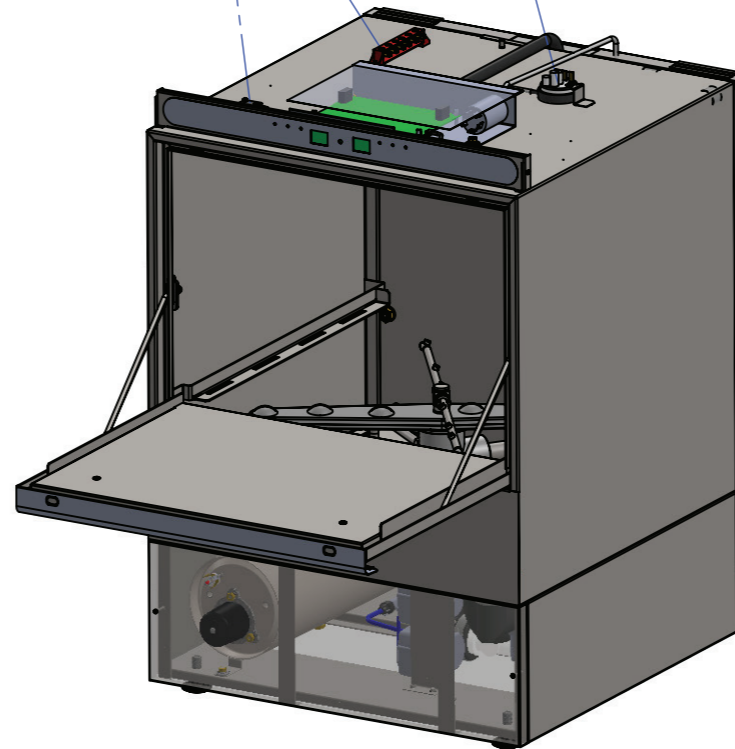
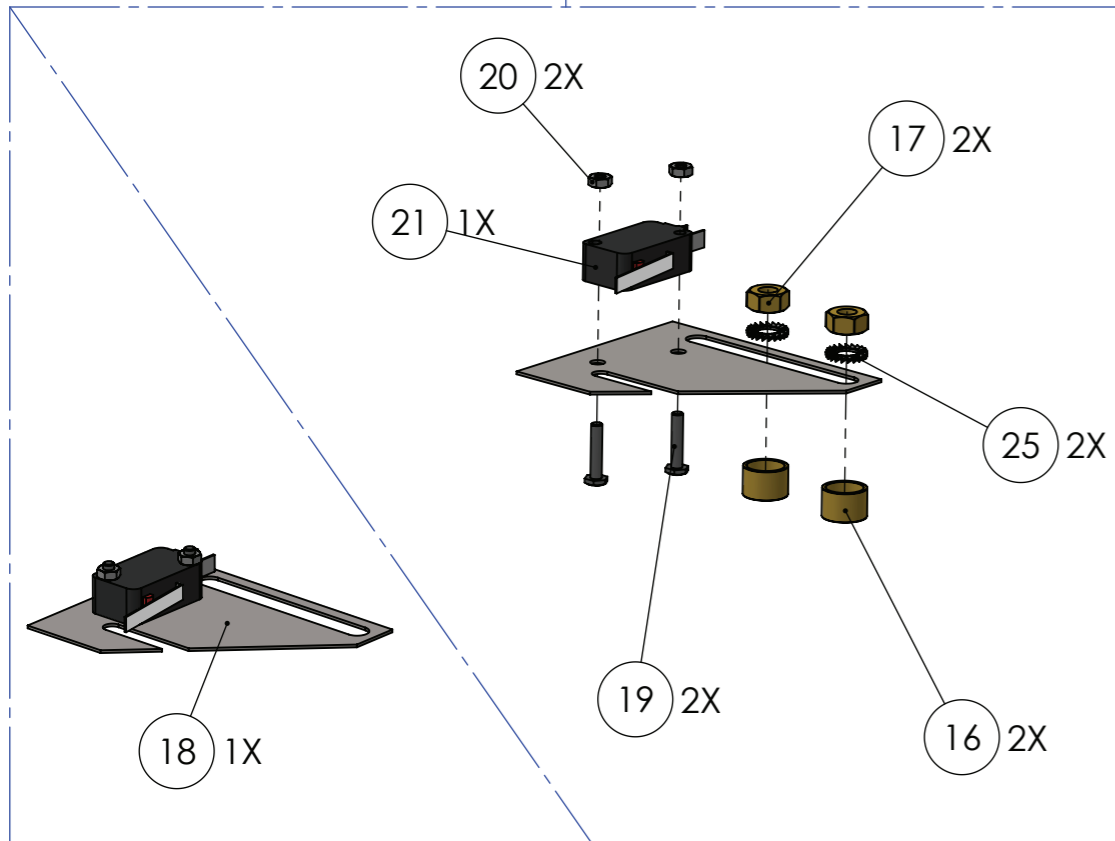
PAGE:  
02

REVISION:  
01

**Gastro M**



ITEM NO.	PART NUMBER	DESCRIPTION	QTY.
16	003.00.00085	SPACER FOR DOOR SWITCH	2
17	003.00.00041	NUT M6 GALVANISED	2
18	003.00.00574	DOOR SWITCH ELECTRICAL PART COMPLETE	1
19	003.00.00065	GALV. HEX. BOLT M3X16	2
20	002.00.00090	GALV. NUT M3	2
21	003.00.00515	DOOR MICROSWITCH 16A	1
22	003.00.00033	PRESSOSTAT	1
23	002.00.00207	TAPPING SCREW 4,2 X 19	1
24	003.00.00046	NUT M4 (GALV)	2
25	001.00.00204	GALVANIZED LOCK WASHER 6,4x11x0,7	2
26	003.00.00030	POWER SUPPLY BOARD 6CON	1



SERIES DESCRIPTION:  
DISHWASHER

MODEL DESCRIPTION:  
500

MODEL VERSION:  
380-415V 3~N 50/60 Hz

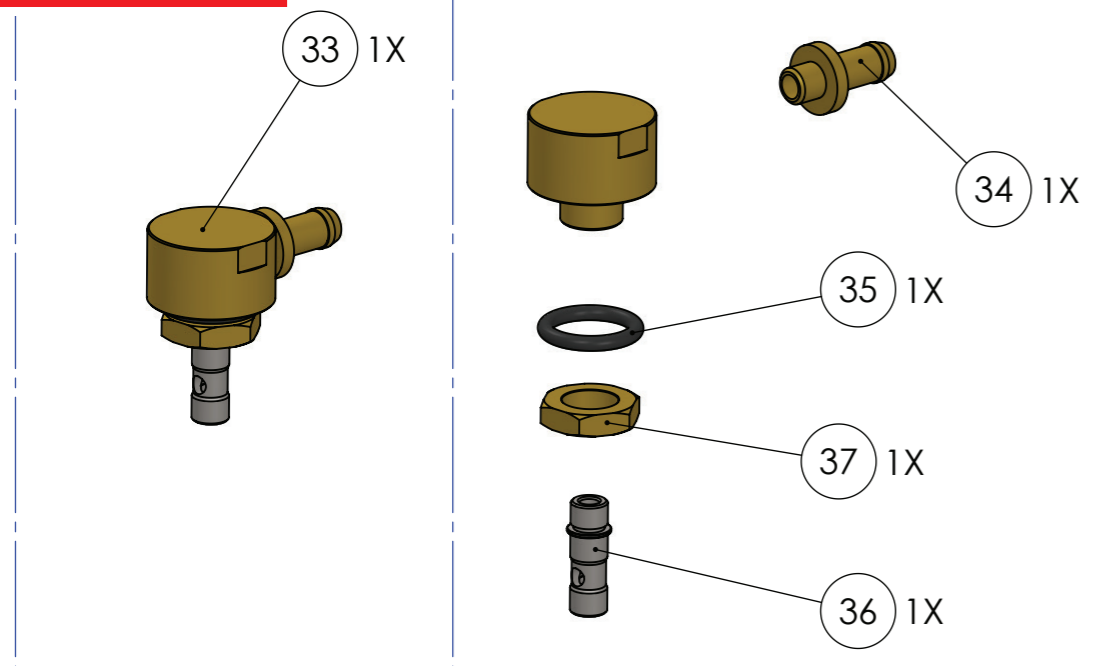
ITEM CODE:

ITEM DESCRIPTION:

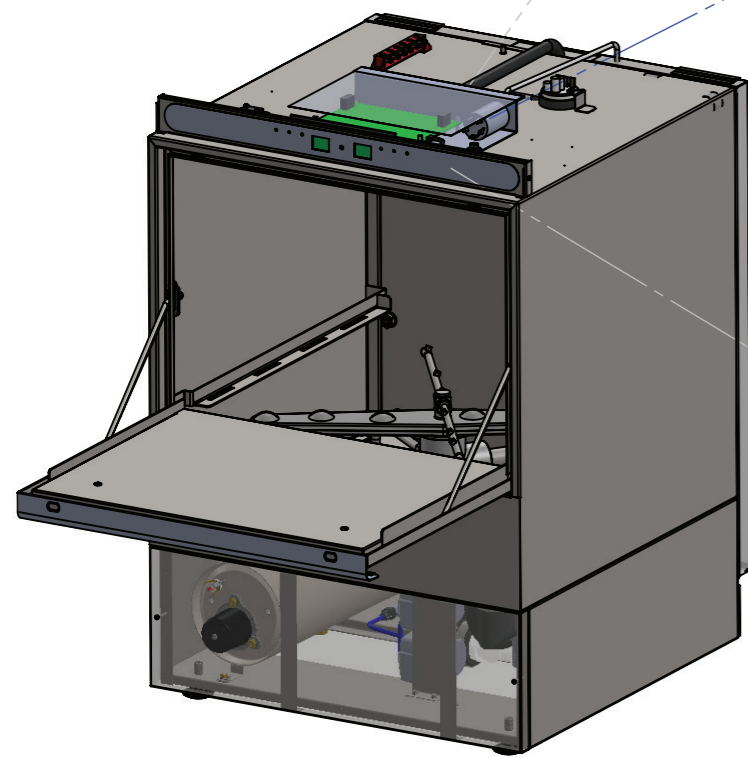
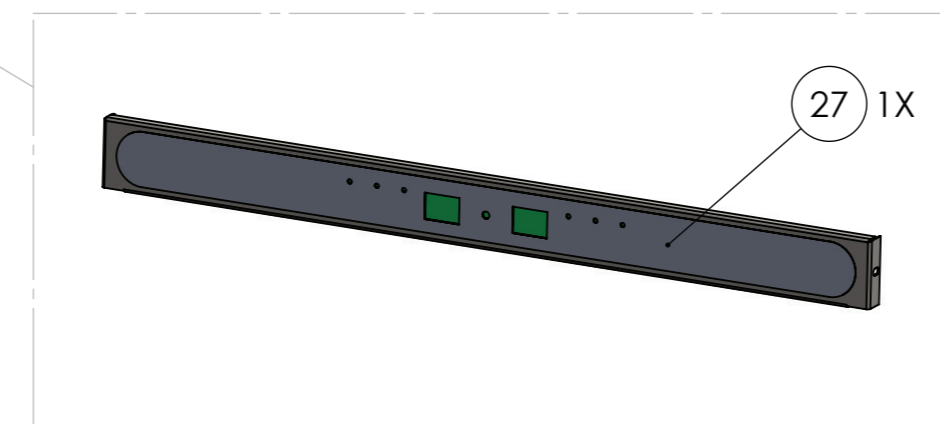
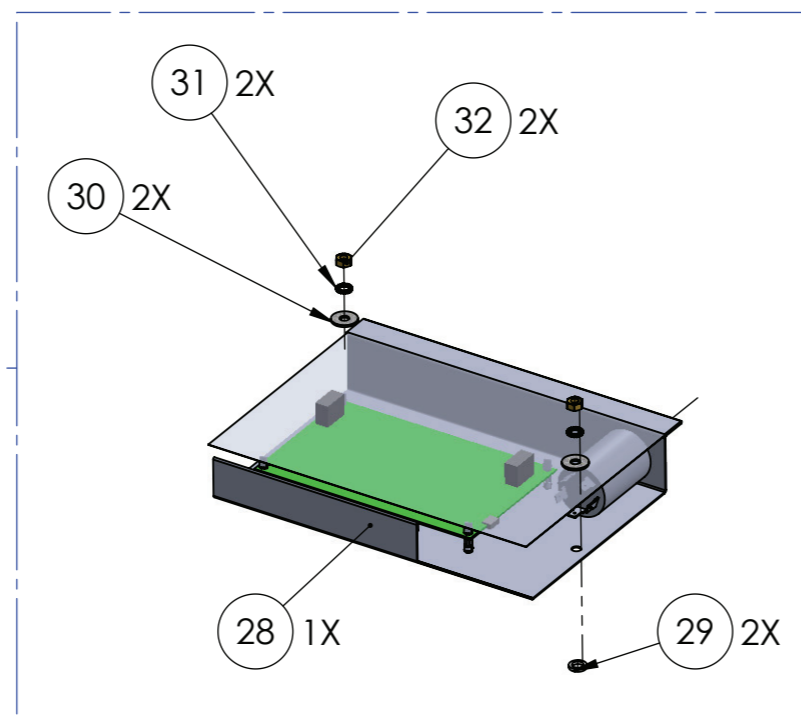
MODEL CODE:  
004.50.00024

PAGE:  
03

REVISION:  
01



ITEM NO.	PART NUMBER	DESCRIPTION	QTY.
27	003.50.00027	CONTROL PANEL COMPLETE A500	1
28	003.50.00036	BOARD PANEL COMPLETE A500	1
29	001.00.00045	TEFLON WASHER $\Phi$ 12,5 X 8 X 2,5	2
30	003.00.00516	WASHER STEEL $\Phi$ 6X18	2
31	001.00.00204	GALVANIZED LOCK WASHER 6,4x11x0,7	2
32	003.00.00041	NUT M6 GALVANISED	2
33	002.35.00029	UPPER RINSING BASE COMPLETE	1
34	002.00.00001	FITTINGS 1/4X10	1
35	002.00.00097	O-RING 20X4	1
36	002.50.00012	INOX AXLE RINSE BASE BL,VE,KN	1
37	002.00.00065	NUT 3/8	1



ITEM CODE:	ITEM DESCRIPTION:
MODEL CODE: 004.50.00024	PAGE: 04
	REVISION: 01

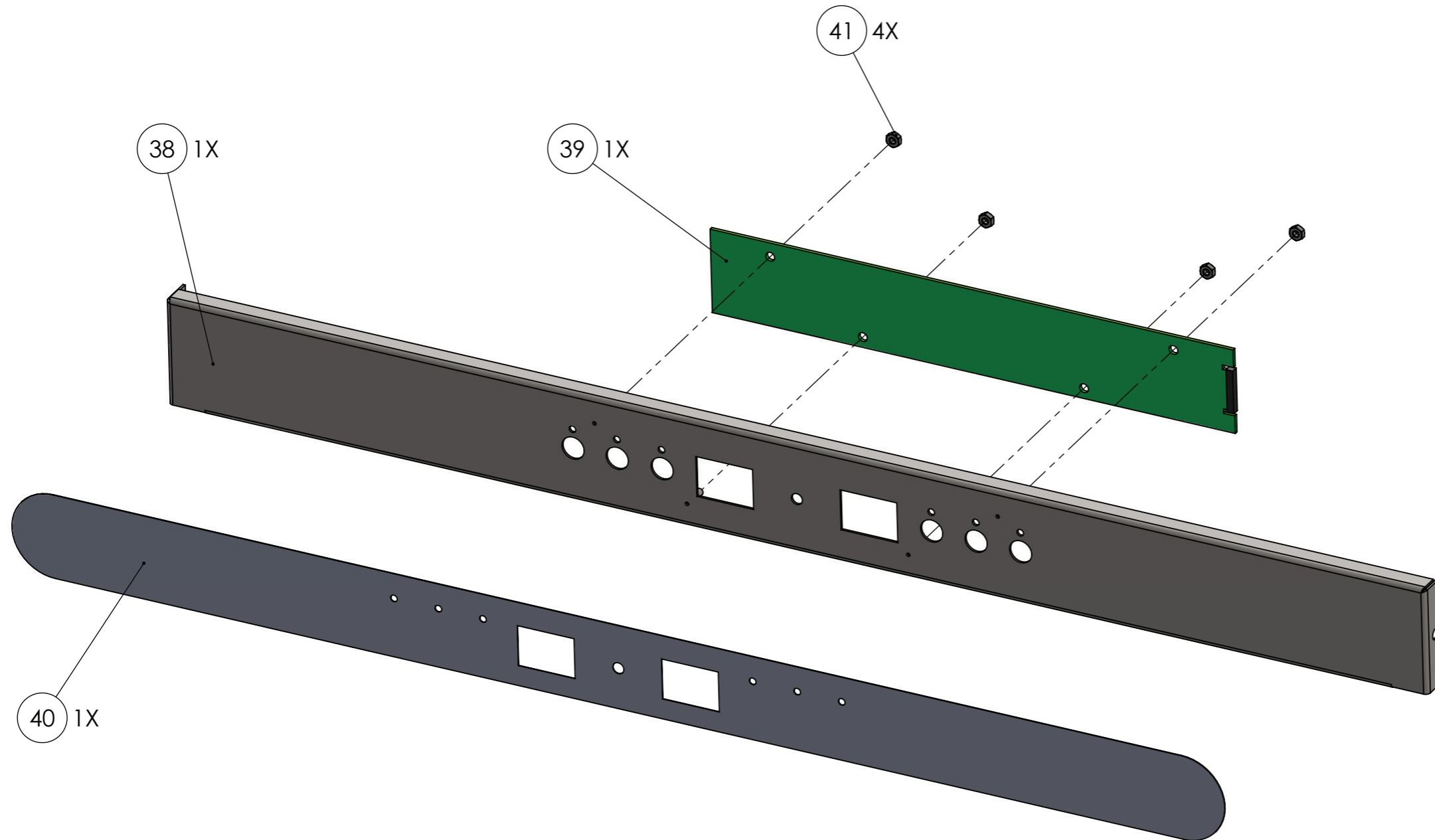
SERIES DESCRIPTION:  
DISHWASHER

MODEL DESCRIPTION:  
500

MODEL VERSION:  
380-415V 1~N 50/60 Hz



ITEM NO.	PART NUMBER	DESCRIPTION	QTY.
38	001.50.00044	SWITCH PANEL INOX V50	1
39	003.00.00609	USER INTERFACE 7 SEGM. DISPLAY VERSION	1
40	003.50.00026	FILM FOR A500 (LCD)	1
41	002.00.00090	GALV. NUT M3	4



SERIES DESCRIPTION:  
DISHWASHER

MODEL DESCRIPTION:  
500

MODEL VERSION:  
380-415V 3~N 50/60 Hz

ITEM CODE:  
003.50.00027

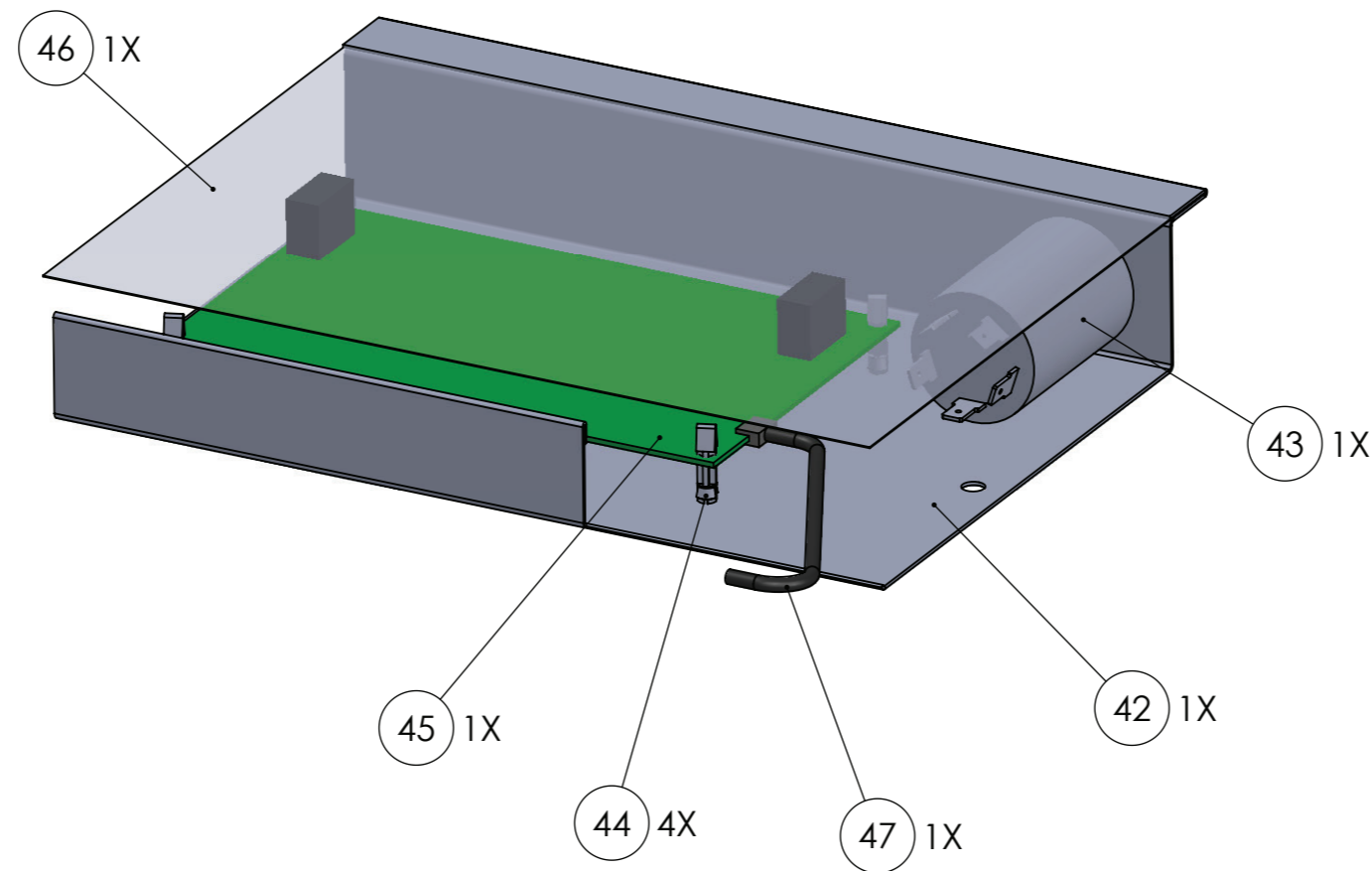
MODEL CODE:  
004.50.00024

ITEM DESCRIPTION:  
CONTROL PANEL COMPLETE A500

PAGE:  
05

REVISION:  
01

ITEM NO.	PART NUMBER	DESCRIPTION	QTY.
42	001.50.00083	BOARD BASE INOX A500	1
43	003.00.00625	ELECTROMAGNETIC FILTER 250V 50/60Hz 10A 40°C	1
44	003.00.00630	SPACER PCB RC-12 PLASTIC	4
45	003.00.00607	ATLAS MAIN BOARD VERSION	1
46	003.50.00037	COVER PP FOR PANEL A500	1
47	003.00.00610-1	ATLAS CONNECTION CABLE 500mm	1



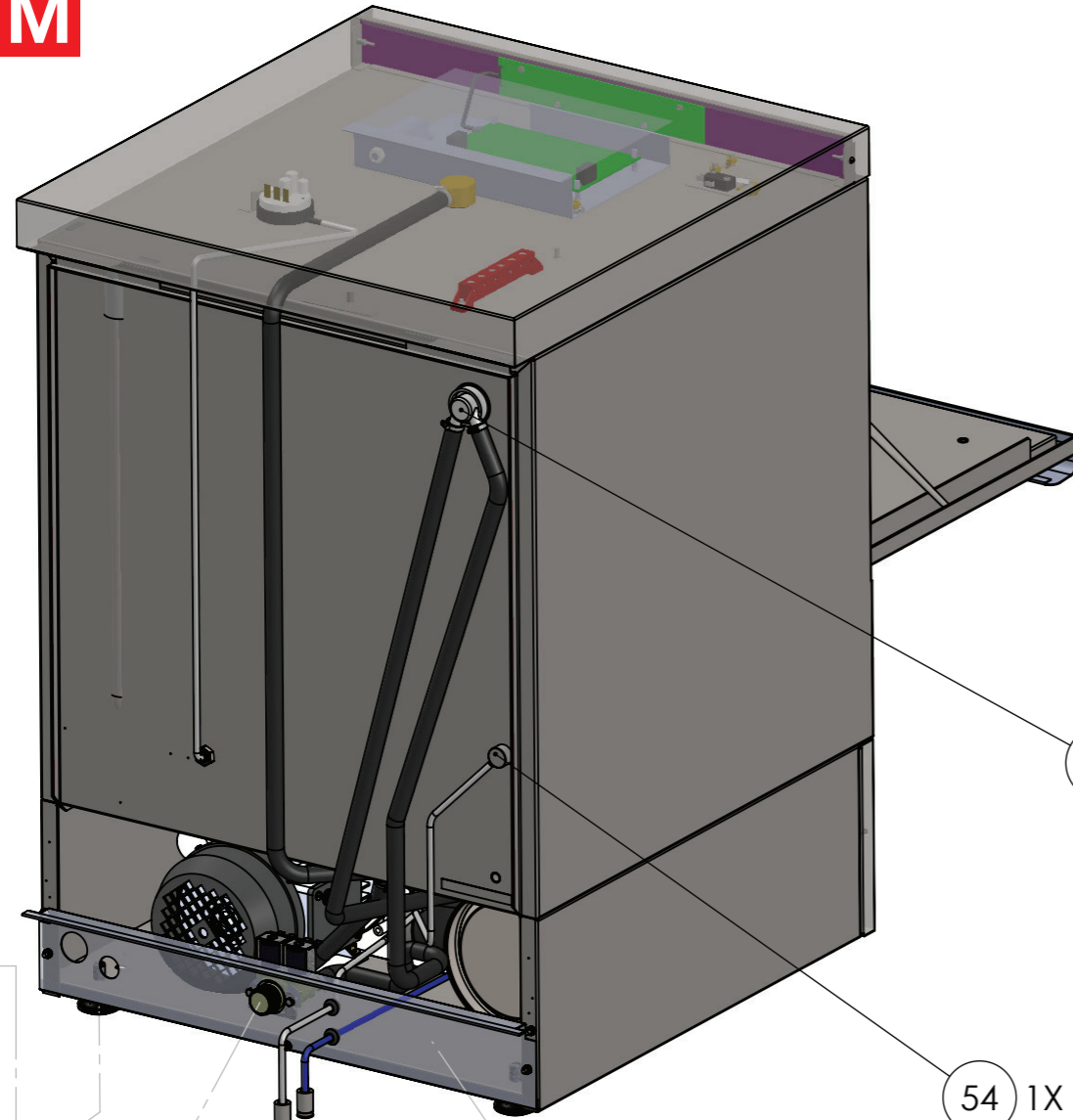
SERIES DESCRIPTION:  
DISHWASHER

MODEL DESCRIPTION:  
500

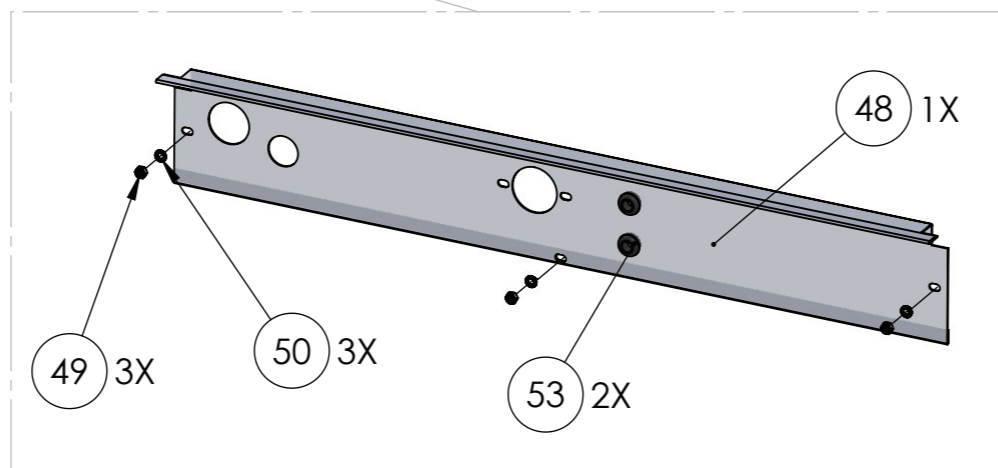
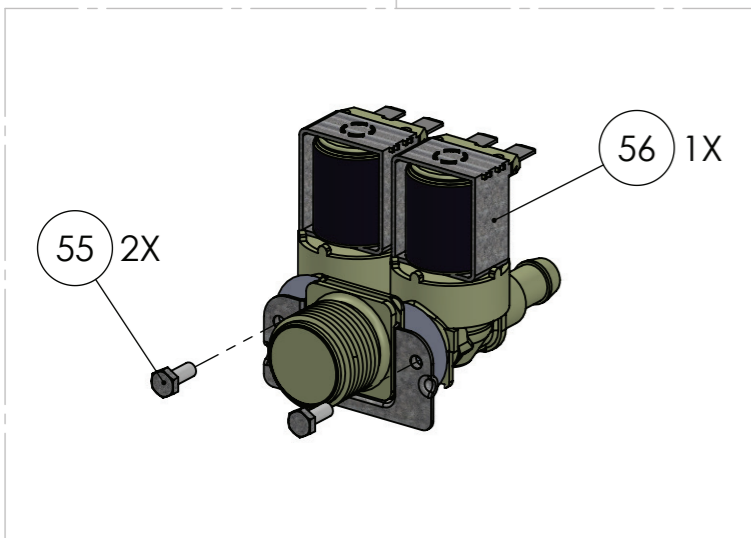
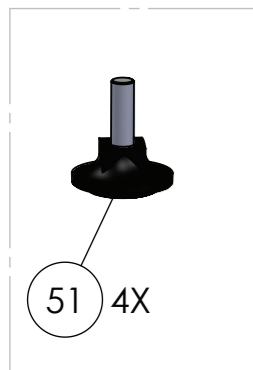
MODEL VERSION:  
380-415V 1~N 50/60 Hz

ITEM CODE:  
003.50.00036  
MODEL CODE:  
004.50.00024

ITEM DESCRIPTION:  
BOARD PANEL COMPLETE A500  
PAGE:  
06  
REVISION:  
01



ITEM NO.	PART NUMBER	DESCRIPTION	QTY.
48	001.50.00072	INOX LOWER BACK COVER V500	1
49	002.00.00095	INOX NUT M4	3
50	002.00.00140	LOCK WASHER INOX Φ4	3
51	001.00.00016	SMALL BLACK FOOT M10	4
52	003.00.00269	NON RETURN VALVE (DVGW)	1
53	003.00.00025	CABLE RUBBER PROTECTOR	2
54	002.00.00233	DETERGENT TANK INJECTOR	1
55	003.00.00278	GALV. BOLT M4X10	2
56	003.00.00151	Water Input Valve Double	1



SERIES DESCRIPTION:  
DISHWASHER

MODEL DESCRIPTION:  
500

MODEL VERSION:  
380-415V 3~N 50/60 Hz

ITEM CODE:

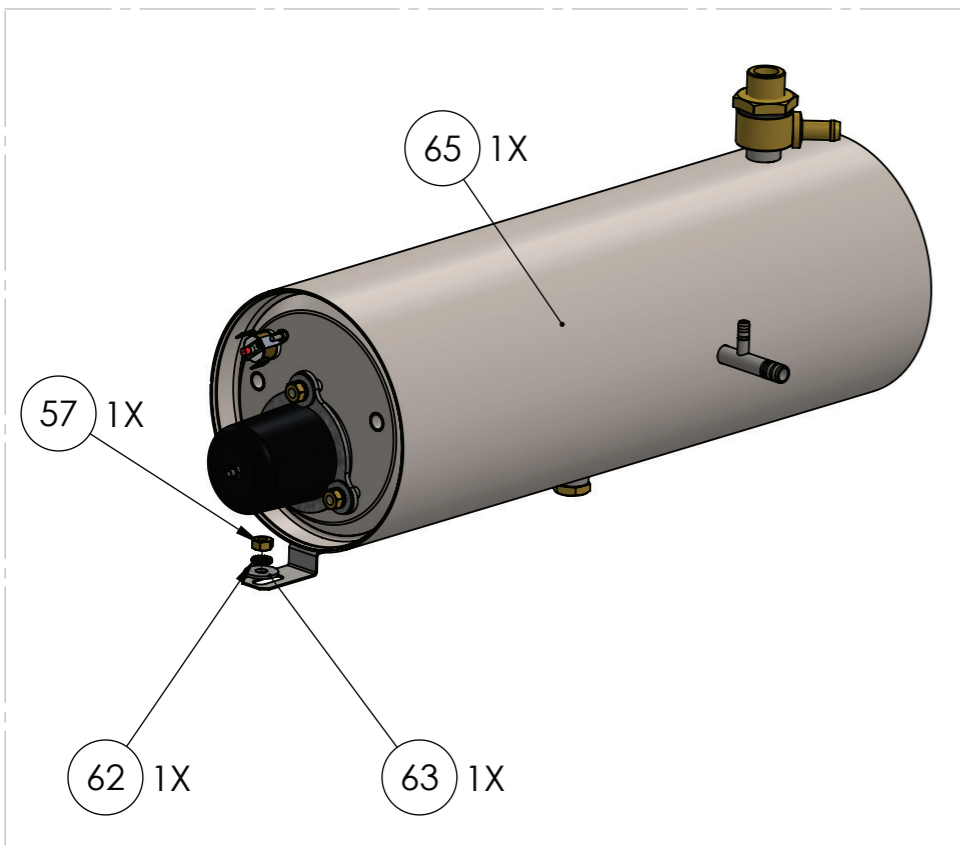
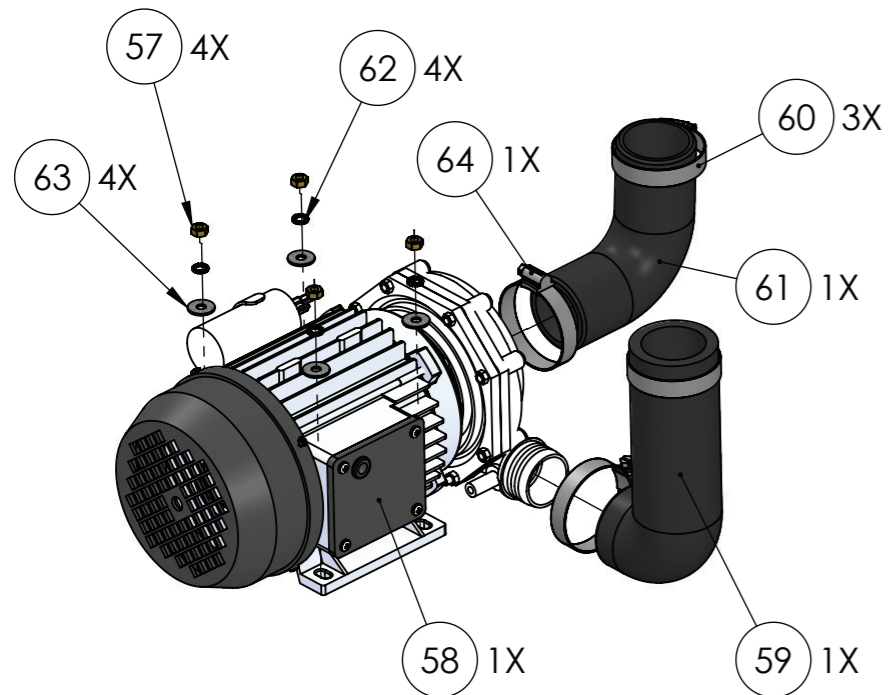
ITEM DESCRIPTION:

MODEL CODE:  
004.50.00024

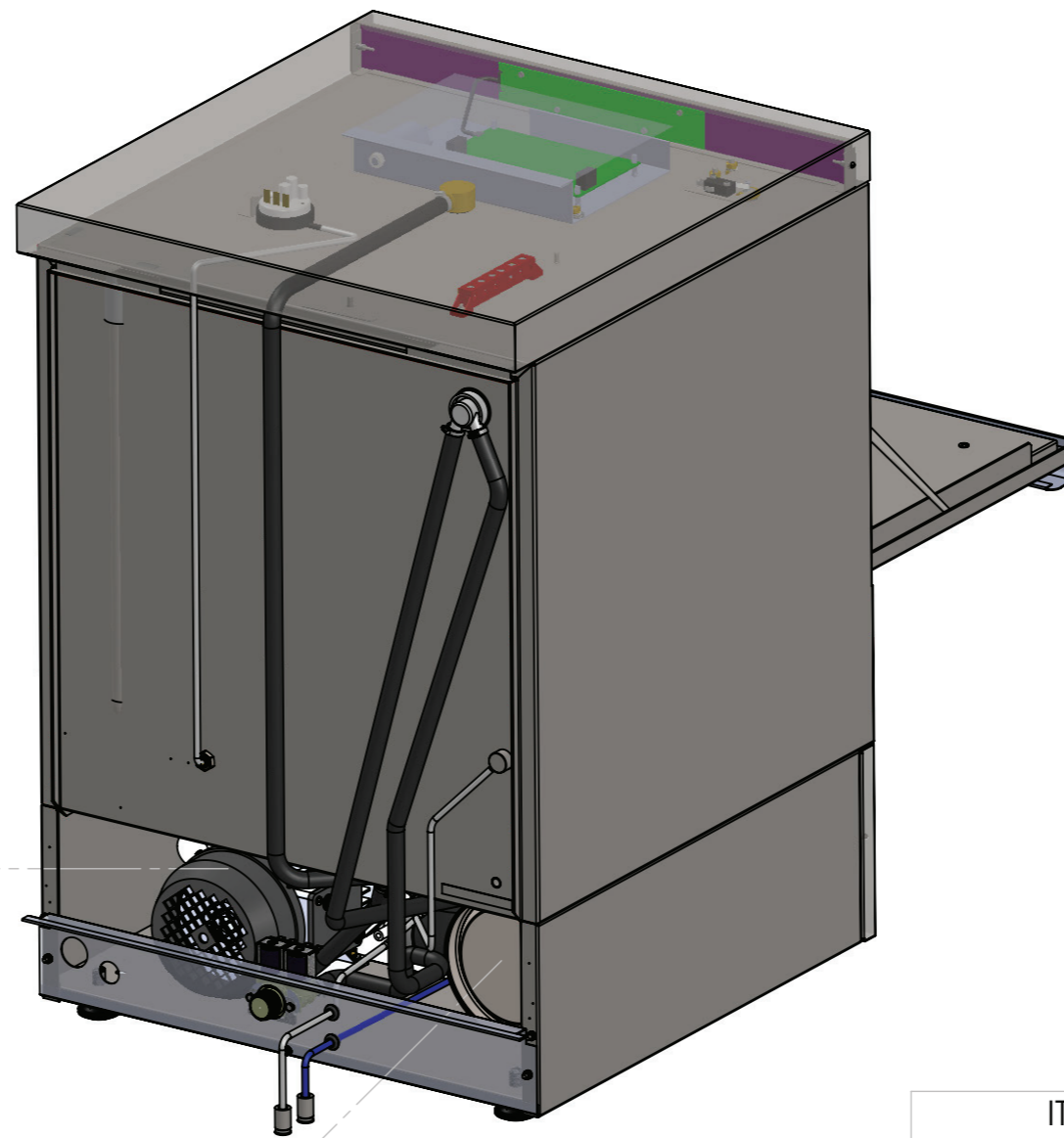
PAGE:  
07

REVISION:  
01

**Gastro M**



ITEM NO.	PART NUMBER	DESCRIPTION	QTY.
57	003.00.00041	NUT M6 GALVANISED	5
58	003.00.00350	PUMP 0,75Hp 50Hz 230V IP44	1
59	002.50.00032-1	WASH PUMP HOSE (OUTLET)	1
60	002.00.00050	CLAMP 40-60	3
61	002.00.00127-1	WASH PUMP HOSE (INPUT)	1
62	001.00.00204	GALVANIZED LOCK WASHER 6,4x11x0,7	5
63	003.00.00516	WASHER STEEL $\Phi$ 6X18	5
64	002.00.00049	CLAMP 35-50	1
65	006.50.00004	BOILER COplete WITH HEATER ELEM. 50-400V	1



ITEM CODE:	ITEM DESCRIPTION:
MODEL CODE: 004.50.00024	PAGE: 08
	REVISION: 01

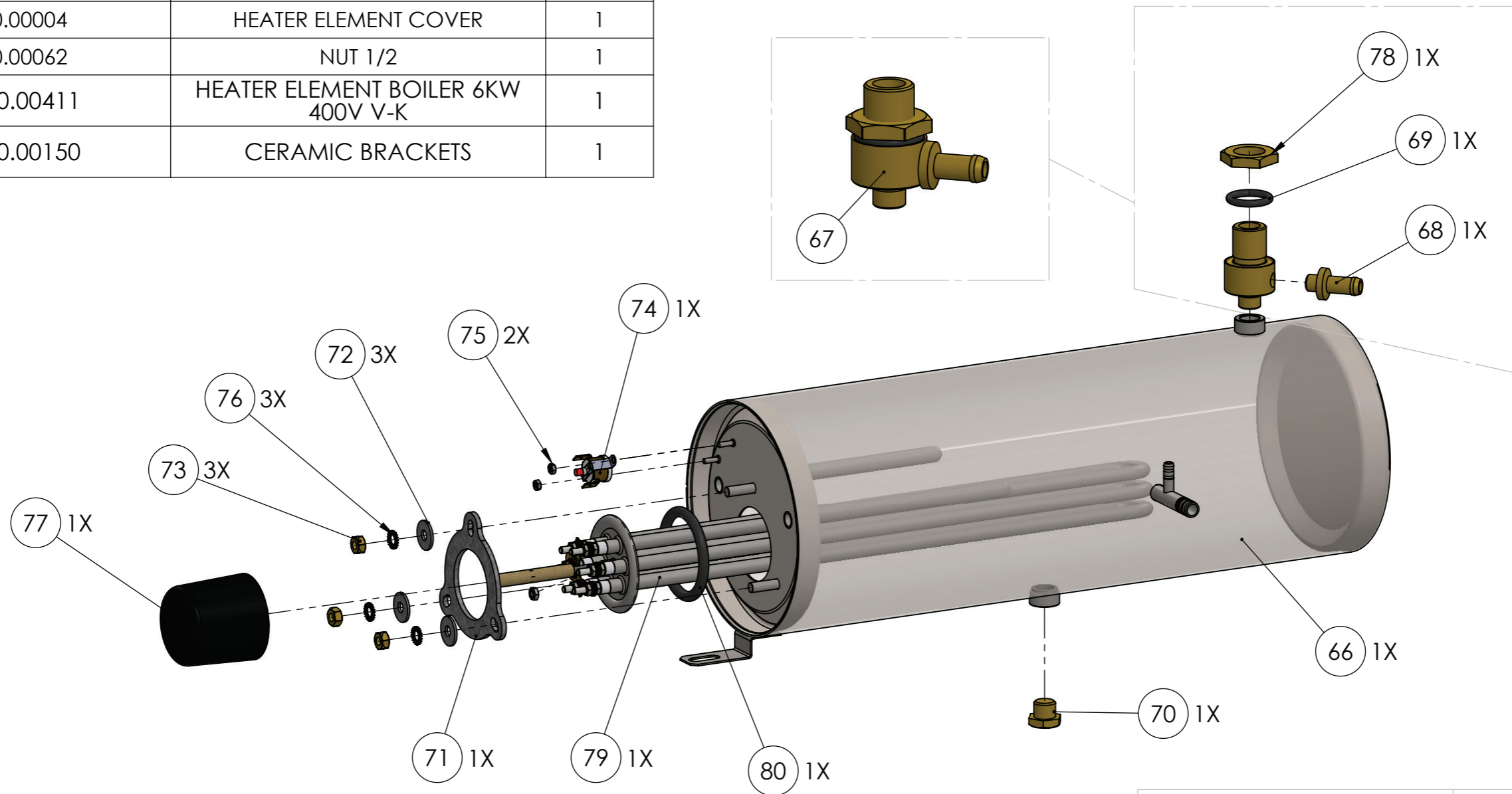
SERIES DESCRIPTION:  
DISHWASHER

MODEL DESCRIPTION:  
500

MODEL VERSION:  
380-415V 3~N 50/60 Hz



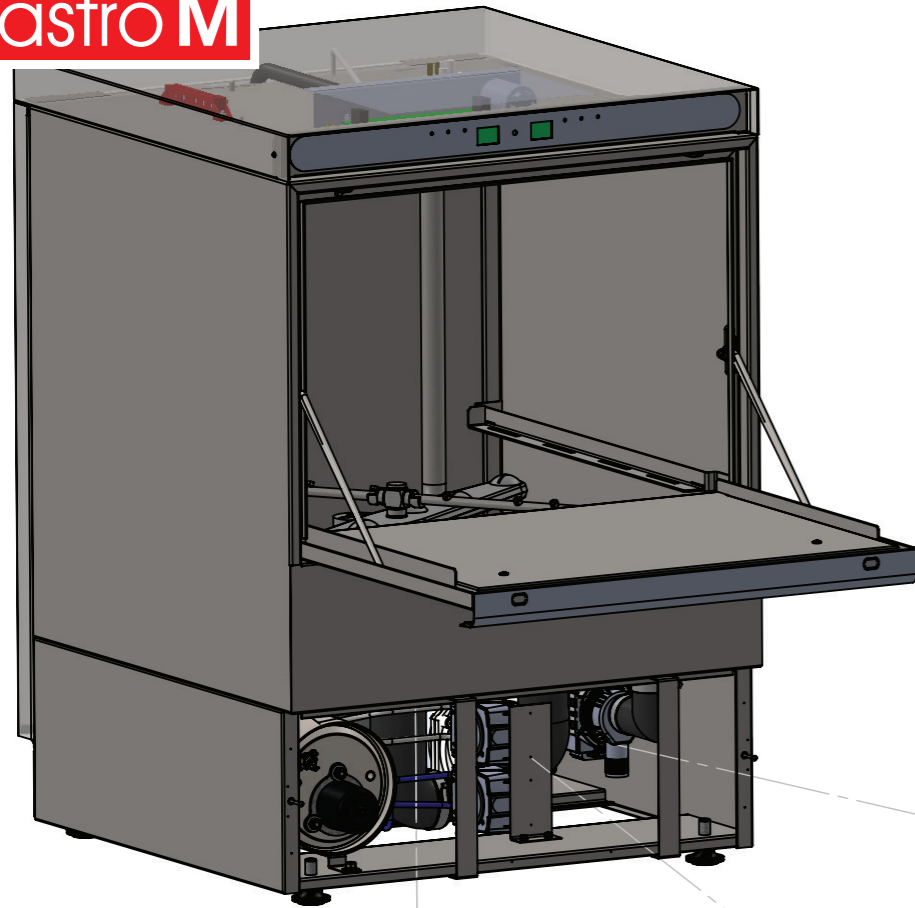
ITEM NO.	PART NUMBER	DESCRIPTION	QTY.
66	001.50.00017	BOILER V500 Φ140X400	1
67	002.50.00001	OUTLET BASE BOILER V500	1
68	002.00.00001	FITTINGS 1/4X10	1
69	002.00.00097	O-RING 20X4	1
70	002.00.00076	BOILER DRAIN THREADED CAP	1
71	003.00.00260	BOILER ELEMENT FITTING BASE	1
72	003.00.00516	WASHER STEEL Φ6X18	3
73	003.00.00041	NUT M6 GALVANISED	3
74	003.00.00180	BOILER THERMOFUSE 105oC	1
75	002.00.00090	GALV. NUT M3	2
76	001.00.00204	GALVANIZED LOCK WASHER 6,4x11x0,7	3
77	003.00.00004	HEATER ELEMENT COVER	1
78	002.00.00062	NUT 1/2	1
79	003.00.00411	HEATER ELEMENT BOILER 6KW 400V V-K	1
80	002.00.00150	CERAMIC BRACKETS	1



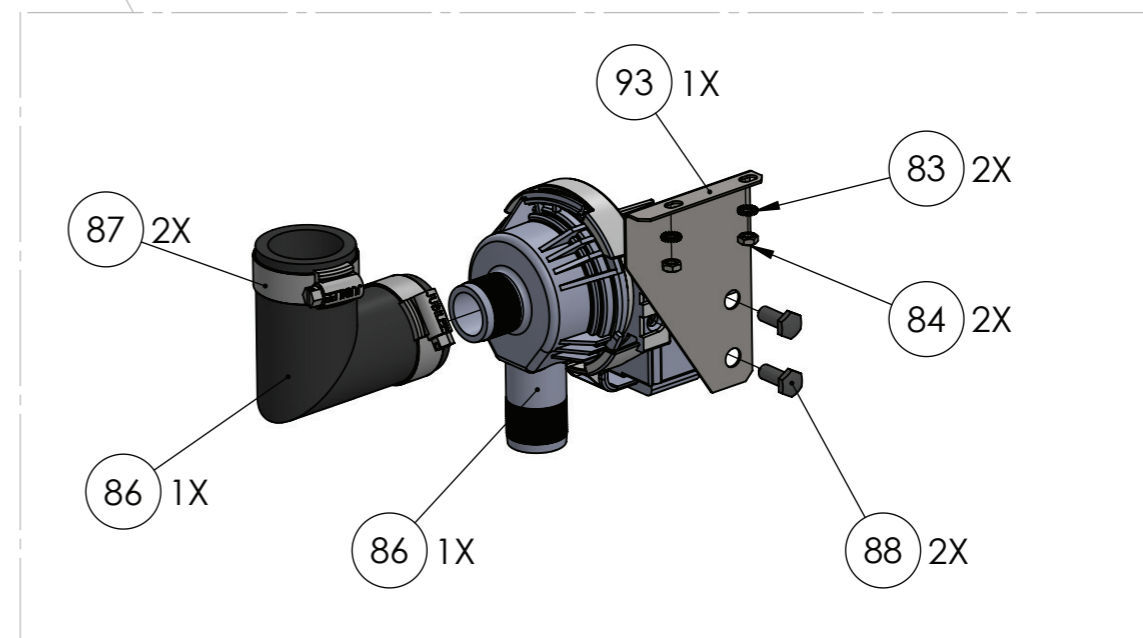
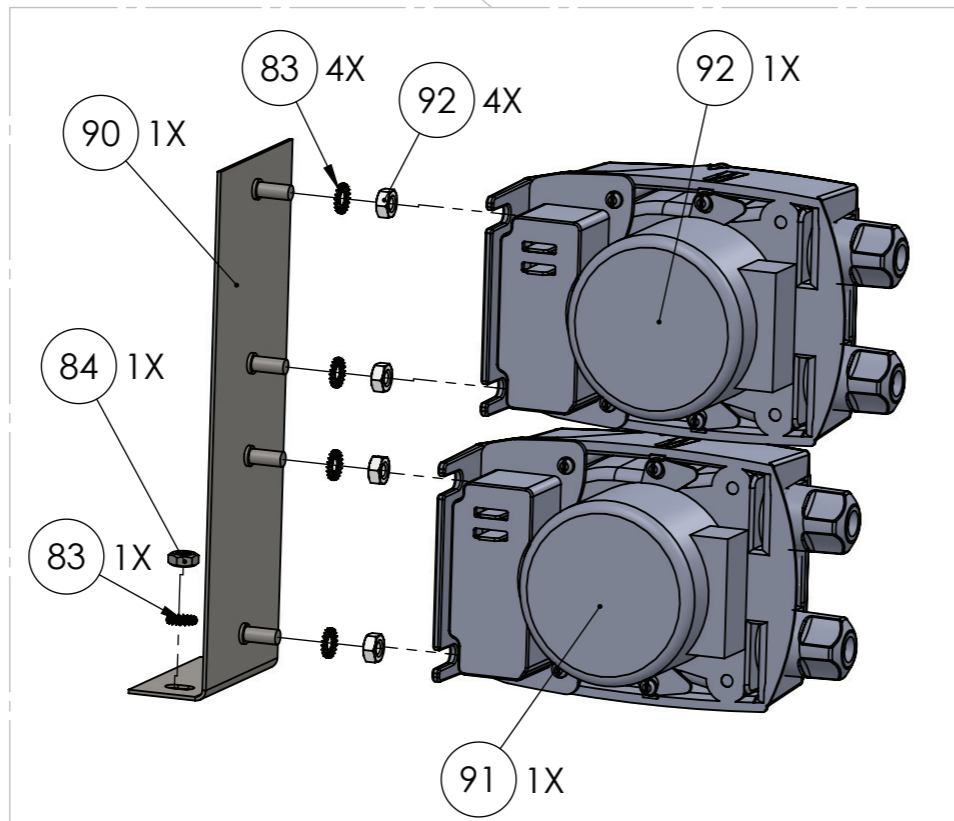
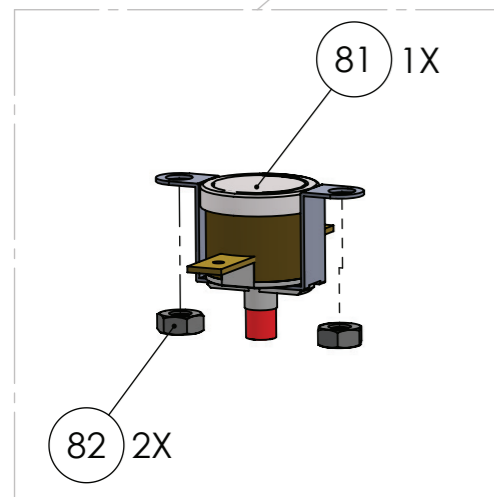
ITEM CODE: 006.50.00004	ITEM DESCRIPTION: BOILER COMPLETE WITH HEATER ELEM. 50-400V
MODEL CODE: 004.50.00024	PAGE: 09
	REVISION: 01

SERIES DESCRIPTION: DISHWASHER	MODEL DESCRIPTION: 500	MODEL VERSION: 380-415V 3~N 50/60 Hz
-----------------------------------	---------------------------	---





ITEM NO.	PART NUMBER	DESCRIPTION	QTY.
81	003.00.00168	THERMOFUSE TANK 90C	1
82	002.00.00090	GALV. NUT M3	2
83	002.00.00140	LOCK WASHER INOX Φ4	8
84	003.00.00046	NUT M4 (GALV)	4
85	003.00.00184	TANK DRAINING PUMP 230V / 65W	1
86	002.50.00014	DRAINING PUMP INLET PIPE V500	1
87	002.00.00048	CLAMP 25-40	2
88	003.00.00485	M6 GALVANISED BOLT	2
89	001.50.00078	BRACKET FOR TWO PERISTALTIC PUMPS V500	1
90	003.00.00433	PERISTALTIC RINSE AID PUMP G302 / 230V	1
91	003.00.00429	PERISTALTIC DETERGENT PUMP G300 / 230V	1
92	002.00.00095	INOX NUT M4	4
93	001.50.00065	INOX BASE FOR DRAINING PUMP V500	1



SERIES DESCRIPTION:  
DISHWASHER

MODEL DESCRIPTION:  
500

MODEL VERSION:  
380-415V 3~N 50/60 Hz

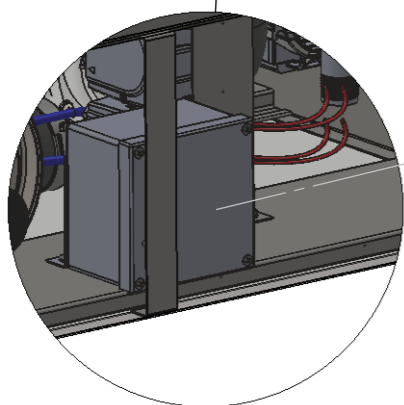
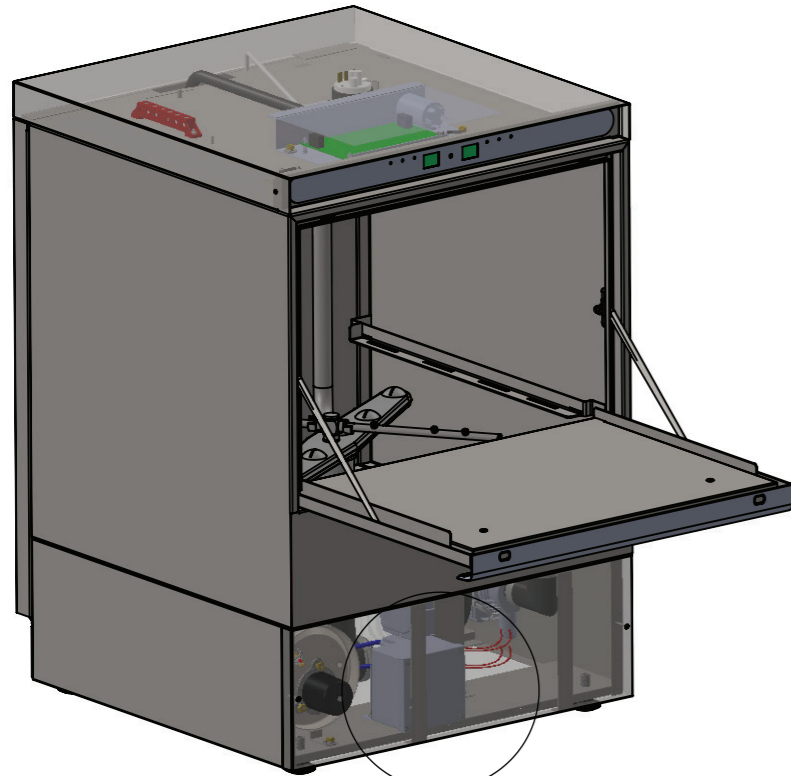
ITEM CODE:

ITEM DESCRIPTION:

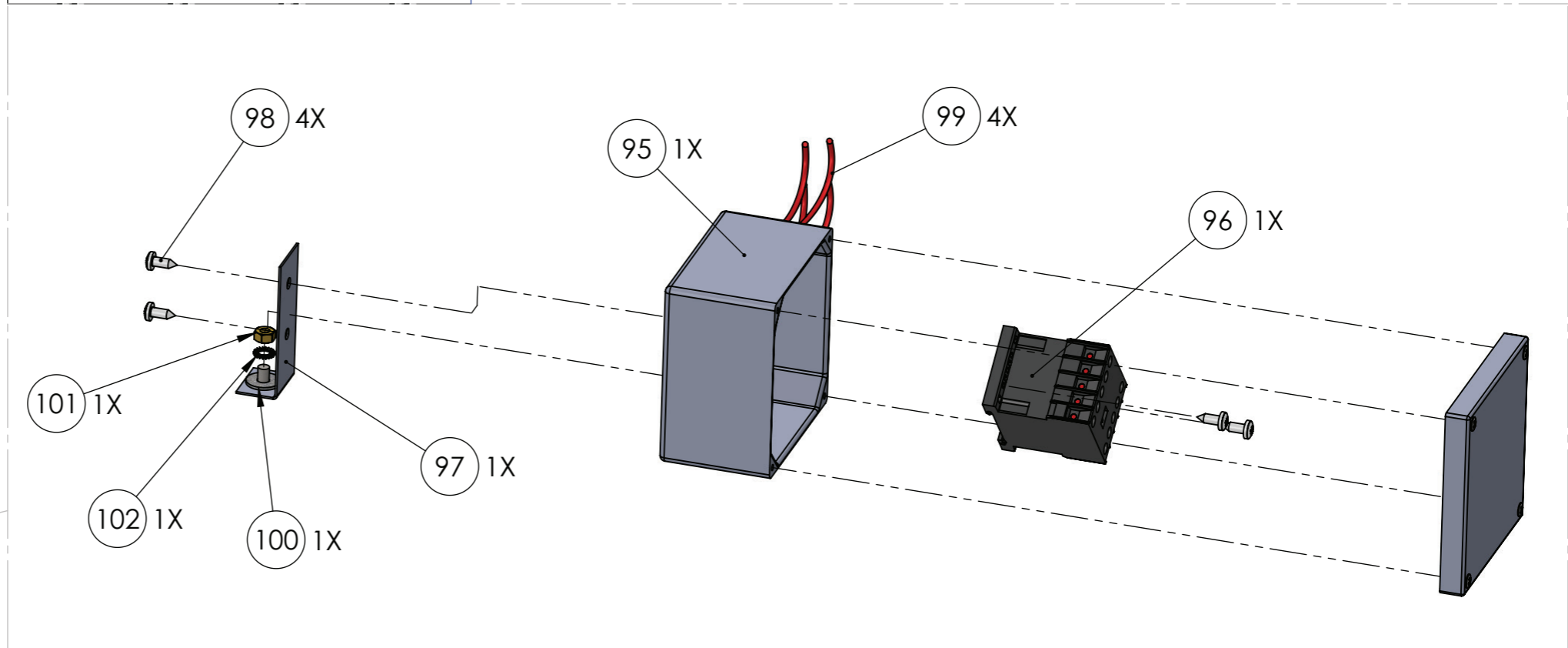
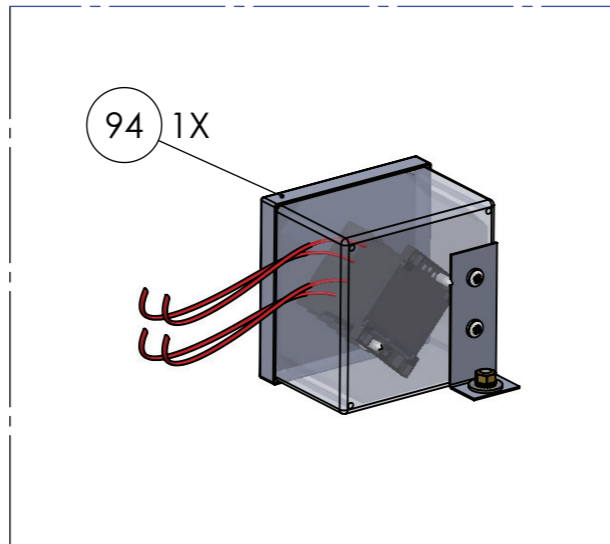
MODEL CODE:  
004.50.00024

PAGE:  
10

REVISION:  
01



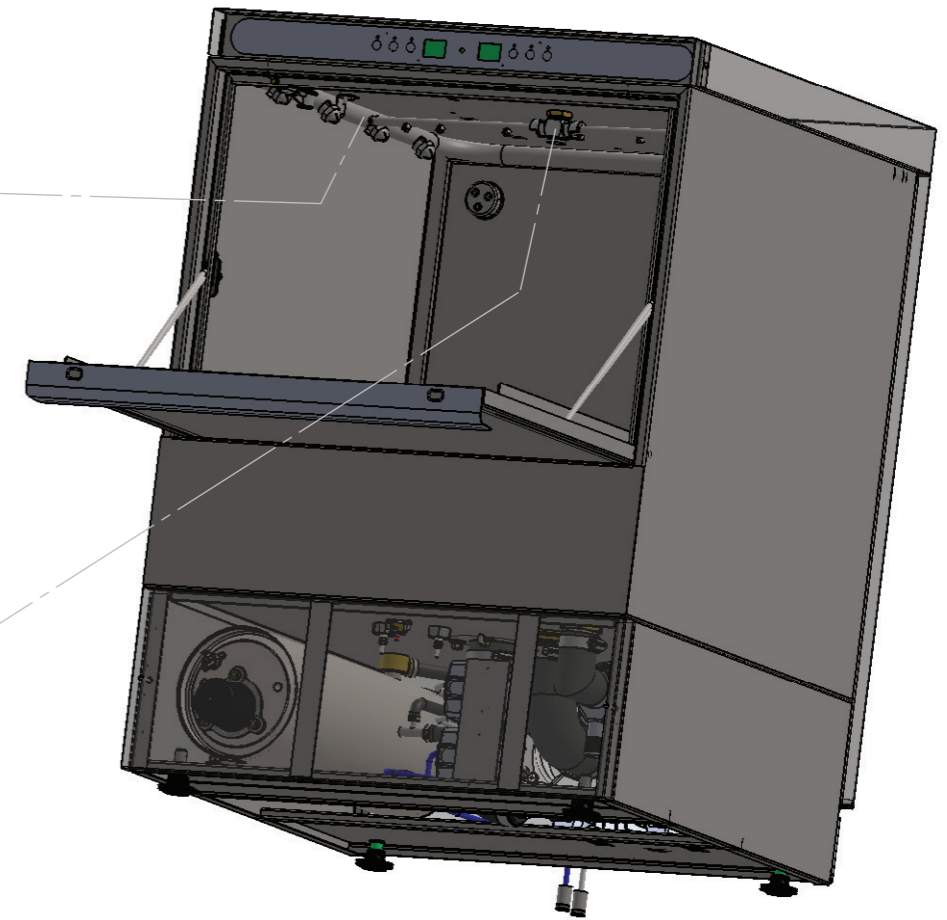
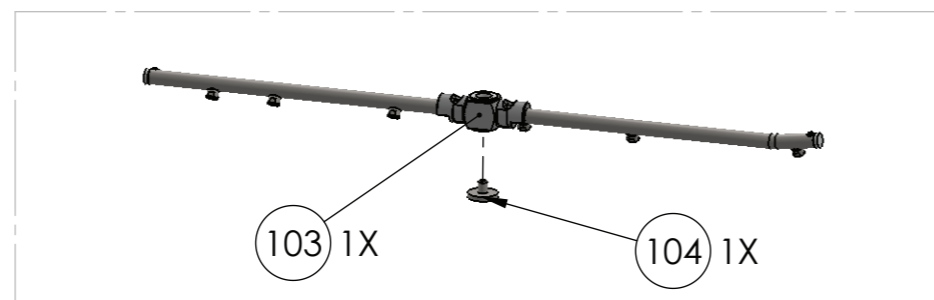
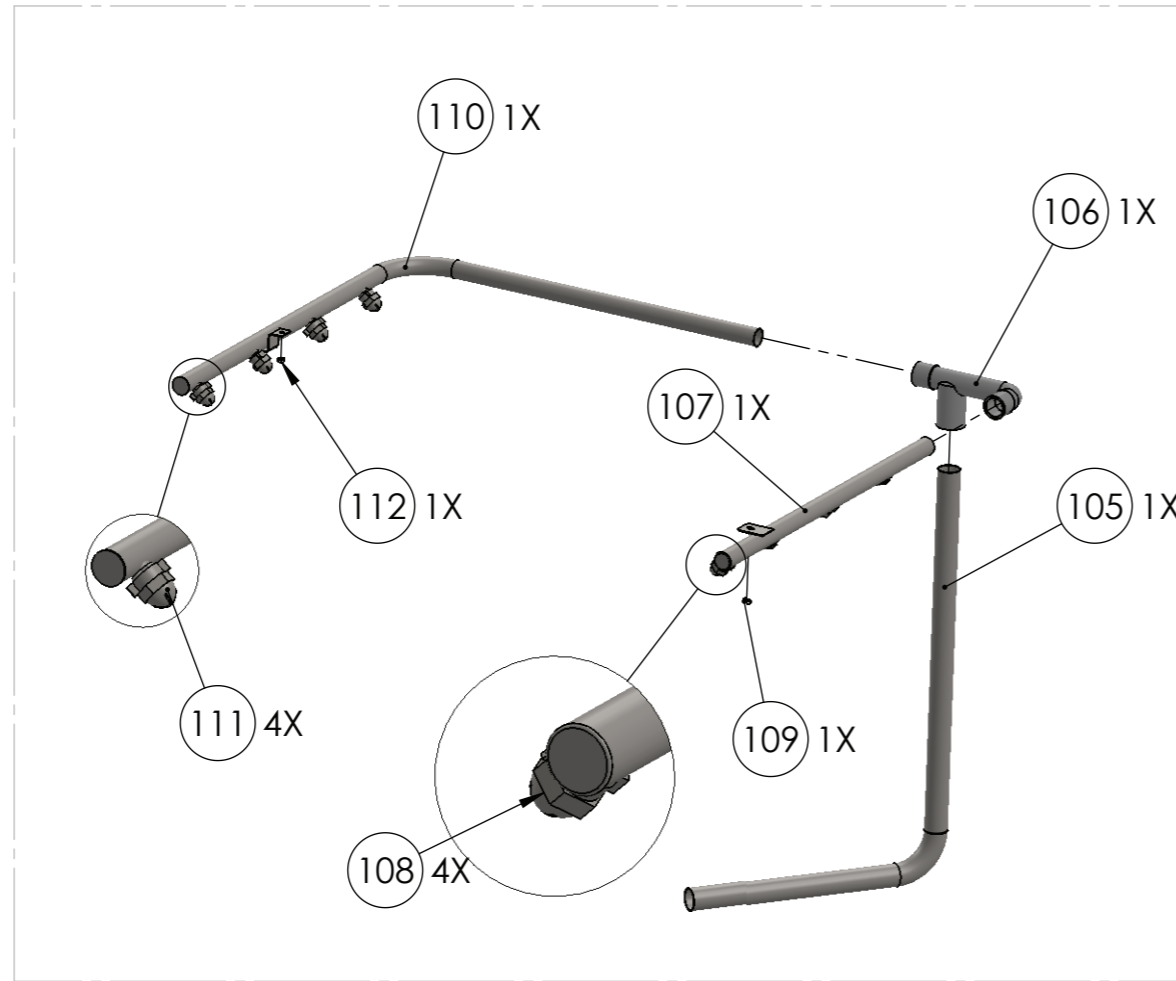
ITEM NO.	PART NUMBER	DESCRIPTION	QTY.
94	006.00.00000	ELECTRICAL BOX FOR BOILER 500-600/300 V	1
95	003.00.00631	BOX PLASTIC 100X100X60	1
96	003.00.00056	MAGNETIC CONTACTOR	1
97	001.00.00274	BRACKET FOR PLASTIC ELECTRICAL BOX	1
98	003.00.00346	TAPPING SCREW 4,8X13	4
99	003.50.00035	WIRING SET EXTENSION A500-TF ARIANE	4
100	003.00.00516	WASHER STEEL $\Phi$ 6X18	1
101	003.00.00041	NUT M6 GALVANISED	1
102	001.00.00204	GALVANIZED LOCK WASHER 6,4x11x0,7	1



ITEM CODE:	ITEM DESCRIPTION:
MODEL CODE: 004.50.00024	PAGE: 11
	REVISION: 01

SERIES DESCRIPTION: DISHWASHER	MODEL DESCRIPTION: 500	MODEL VERSION: 380-415V 3~N 50/60 Hz
-----------------------------------	---------------------------	---

ITEM NO.	PART NUMBER	DESCRIPTION	QTY.
103	002.50.00026	RINSING ARM UP OR DOWN V-K	1
104	002.50.00004	LOCK NUT FOR RINSING ARM	1
105	002.50.00018	WASHING UPPER SYSTEM INOX SUPPLY PIPE	1
106	002.50.00017	CONNECTOR WASHING SYSTEM PLASTIC	1
107	002.50.00020	WASHING UPPER SYSTEM INOX UP-RIGHT	1
108	002.50.00030	SPRAYER FOR UPPER WASH ARMS	4
109	002.00.00095	INOX NUT M4	1
110	002.50.00019	WASHING UPPER SYSTEM INOX UP-LEFT	1
111	002.50.00030	SPRAYER FOR UPPER WASH ARMS	4
112	002.00.00095	INOX NUT M4	1



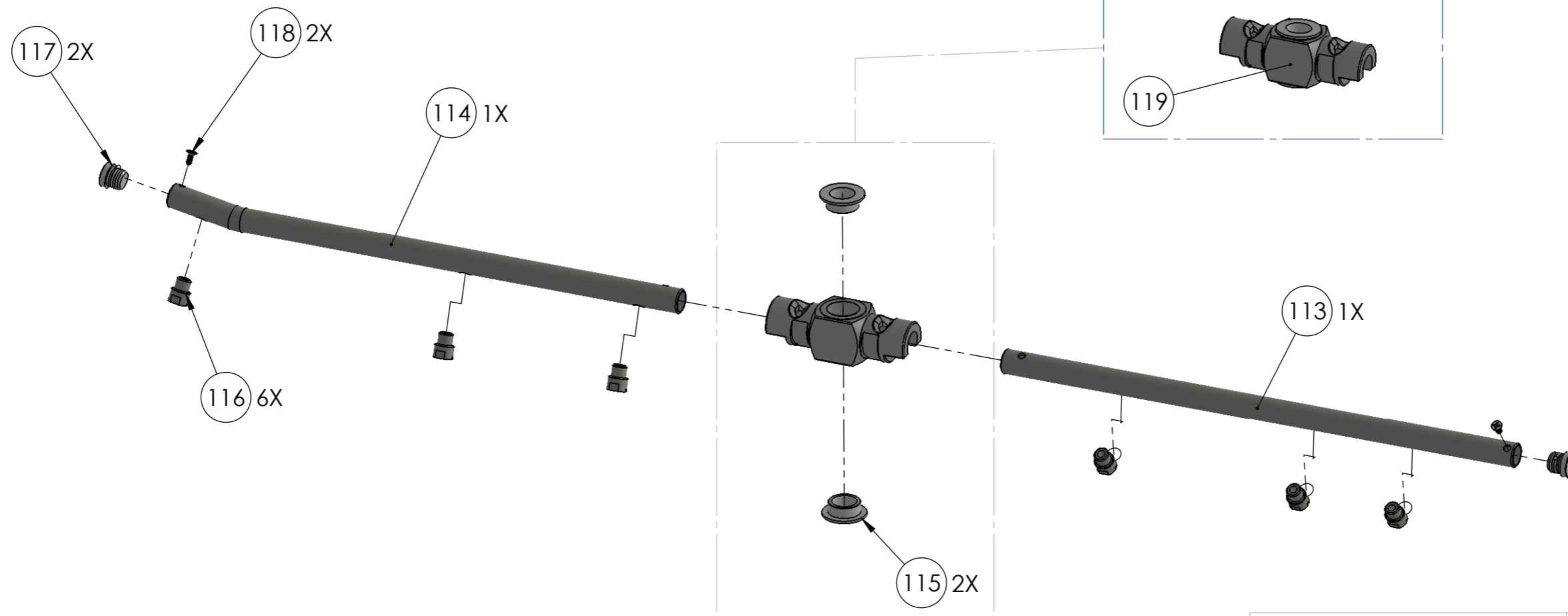
ITEM CODE:	ITEM DESCRIPTION:
MODEL CODE: 004.50.00024	PAGE: 12
	REVISION: 01

SERIES DESCRIPTION:  
DISHWASHER

MODEL DESCRIPTION:  
500

MODEL VERSION:  
380-415V 3~N 50/60 Hz

ITEM NO.	PART NUMBER	DESCRIPTION	QTY.
113	002.50.00005 (B)	RINSING ARM SINGLE - B	1
114	002.50.00005 (A)	RINSING ARM - A	1
115	002.00.00230	TEFLON $\Phi$ 18X6	2
116	002.11.00008	SPRAYER FOR RINSING ARM BL,EU,VE,KN,1500	6
117	002.00.00277	CAP FOR RINSE ARMS	2
118	001.00.00073	INOX SCREW 2,9 X 10	2
119	002.50.00025	PLASTIC BASE FOR RINSING ARMS	1



ITEM CODE:	ITEM DESCRIPTION:
MODEL CODE: 004.50.00024	PAGE: 13
MODEL VERSION: 380-415V 3~N 50/60 Hz	REVISION: 01

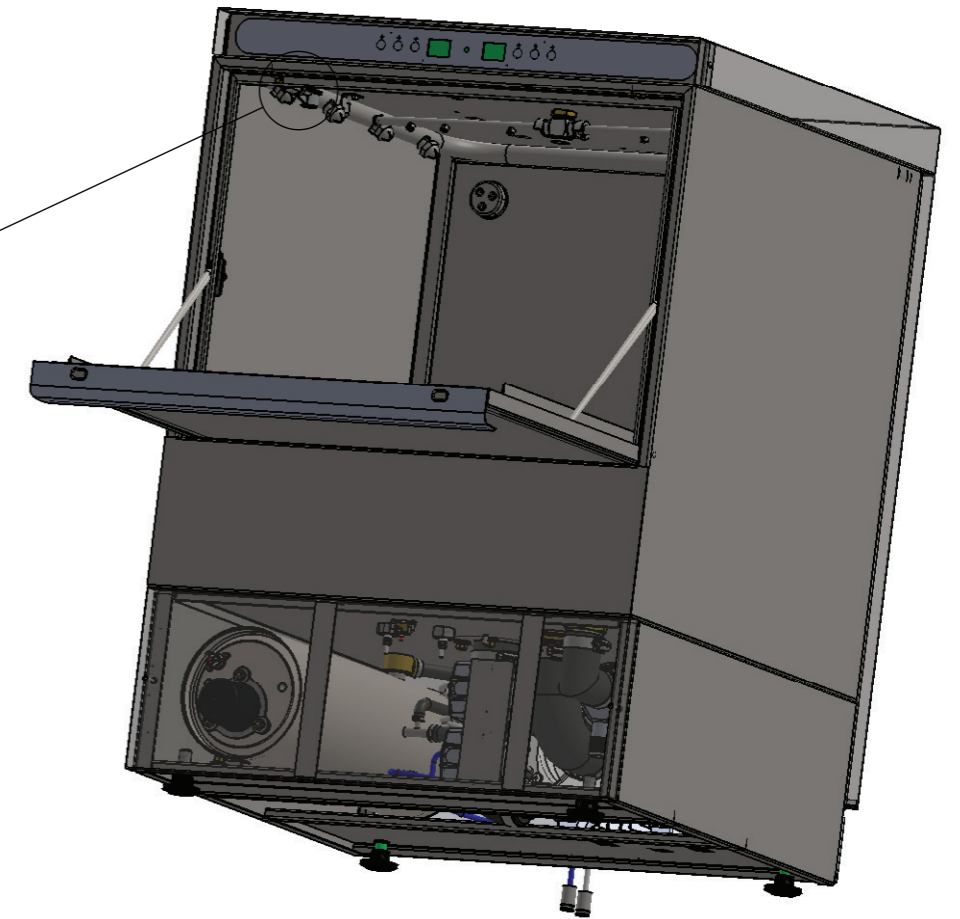
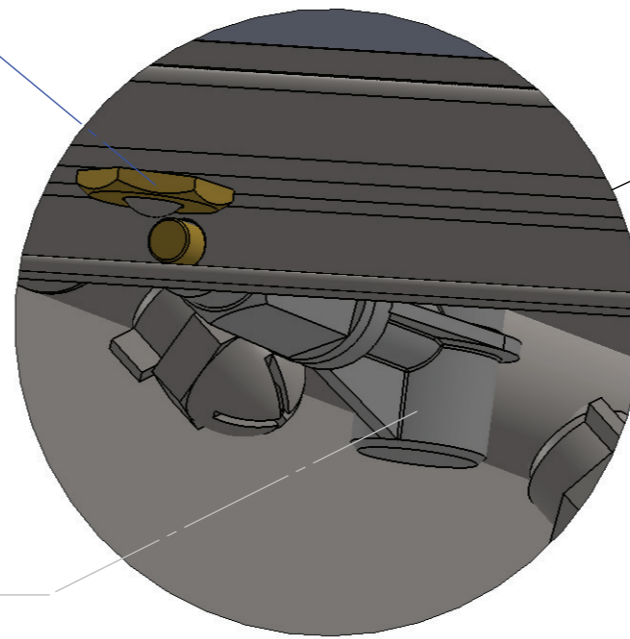
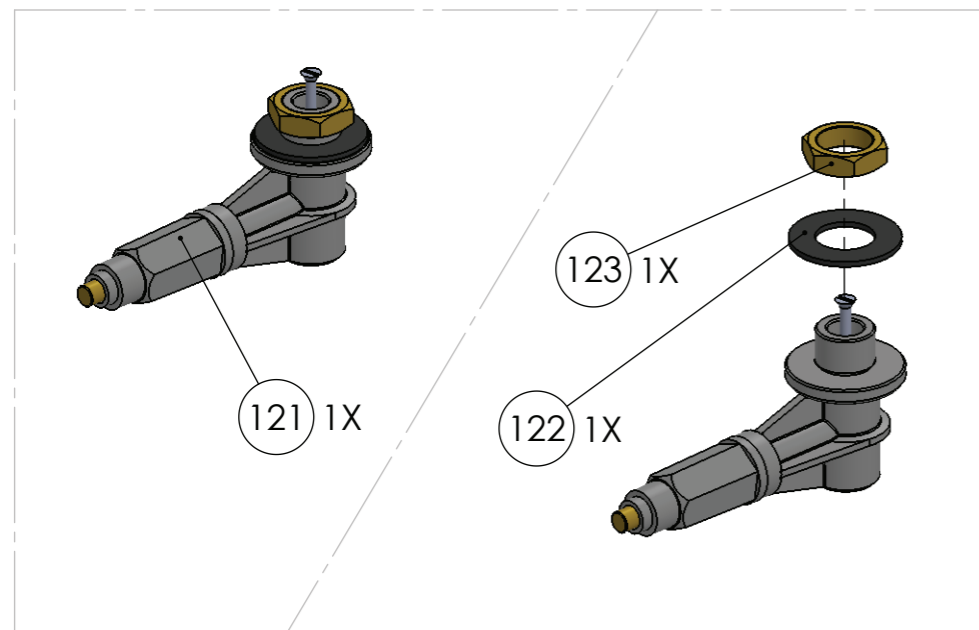
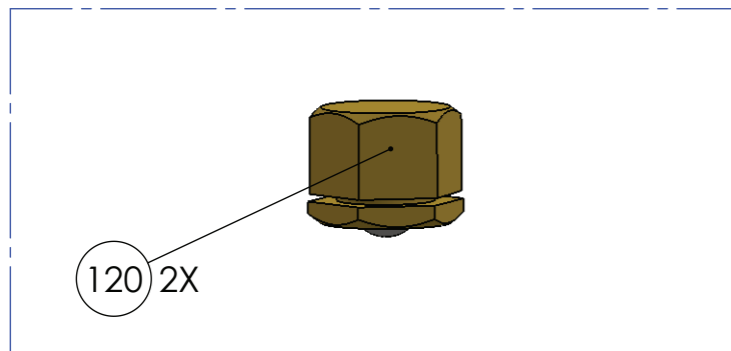
SERIES DESCRIPTION:  
DISHWASHER

MODEL DESCRIPTION:  
500

MODEL VERSION:  
380-415V 3~N 50/60 Hz



ITEM NO.	PART NUMBER	DESCRIPTION	QTY.
120	001.00.00051	DOOR SNAP SET	2
121	003.00.00231	DOOR SWITCH MECH. PART	1
122	003.00.00489	RUBBER GASKET 16X30X3	1
123	003.00.00071	NUT FOR DOOR SWITCH	1



ITEM CODE:	ITEM DESCRIPTION:
MODEL CODE: 004.50.00024	PAGE: 14
	REVISION: 01

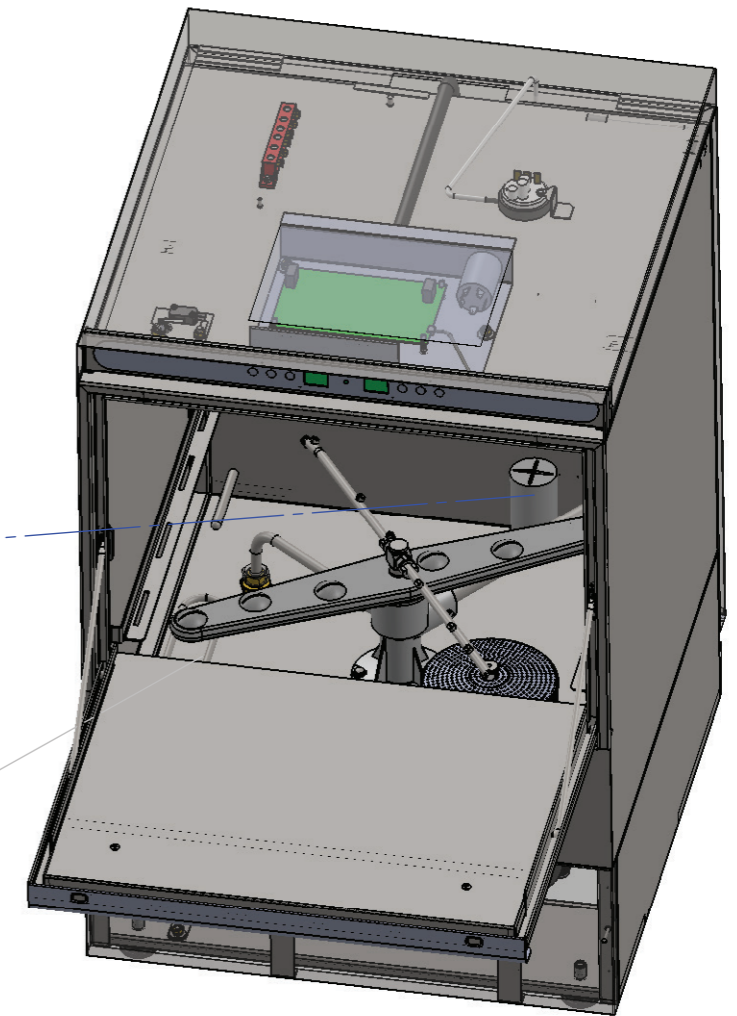
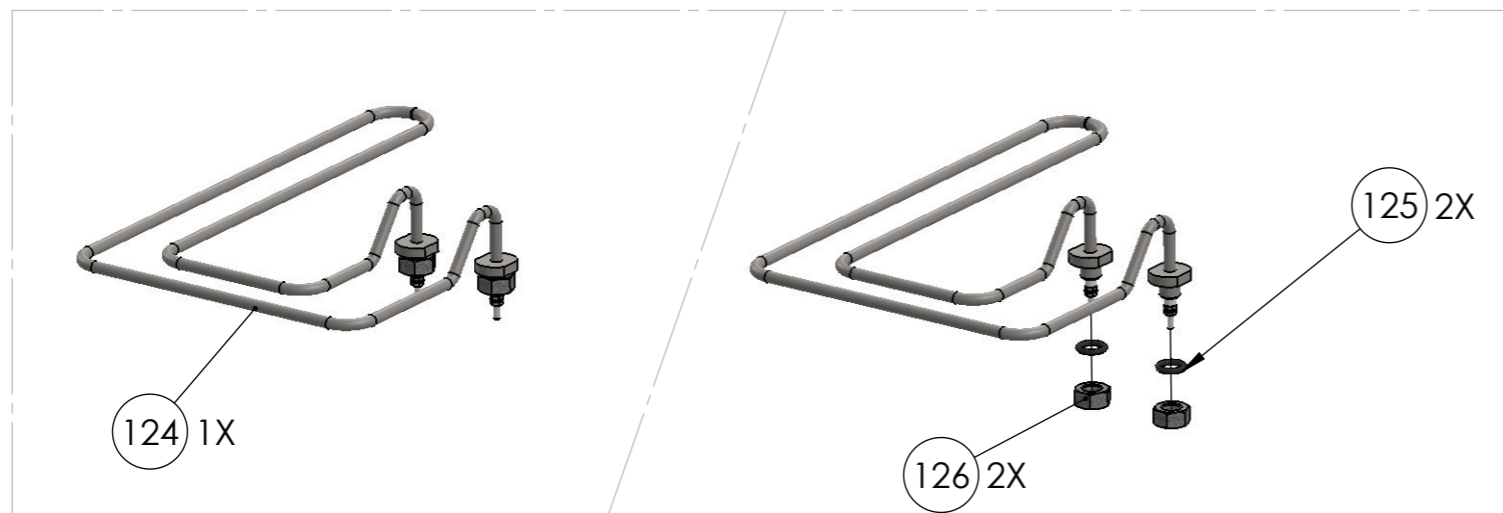
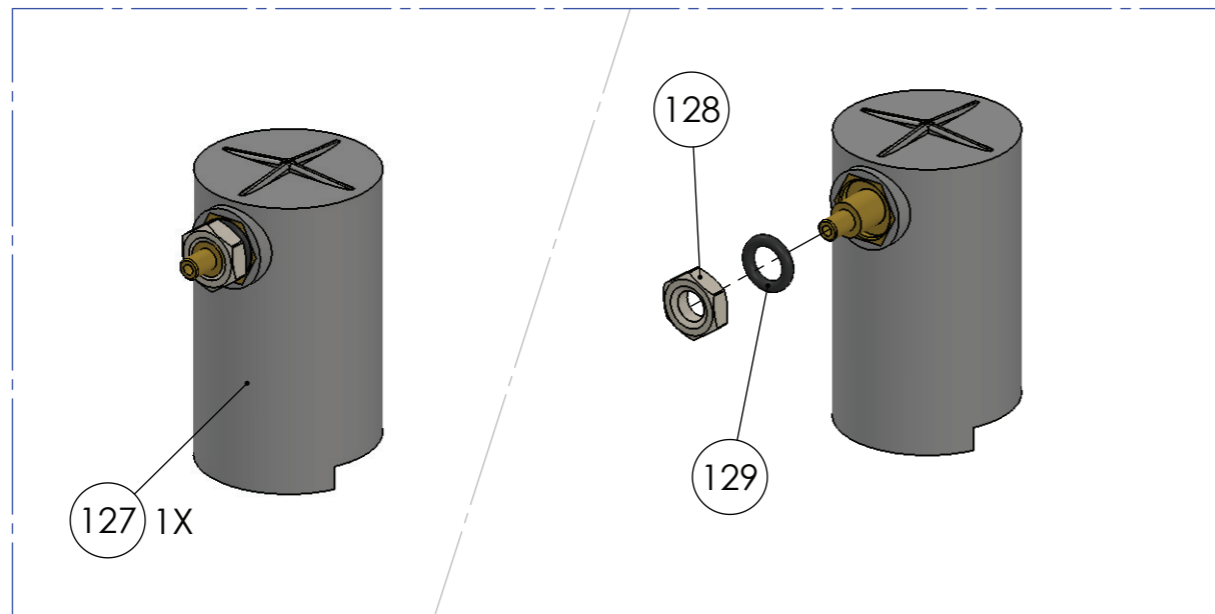
SERIES DESCRIPTION:  
DISHWASHER

MODEL DESCRIPTION:  
500

MODEL VERSION:  
380-415V 3~N 50/60 Hz



ITEM NO.	PART NUMBER	DESCRIPTION	QTY.
124	003.50.00008	HEATER ELEMENT TANK 2,8 kW / 230V	1
125	002.00.00100	O-RING 14X3.5	2
126	003.00.00074	NUT 14 (GALV.)	2
127	003.00.00014	PRESSOSTAT CHAMBER	1
128	002.00.00087	NUT M10	1
129	002.00.00091	ORING 3X10,5	1



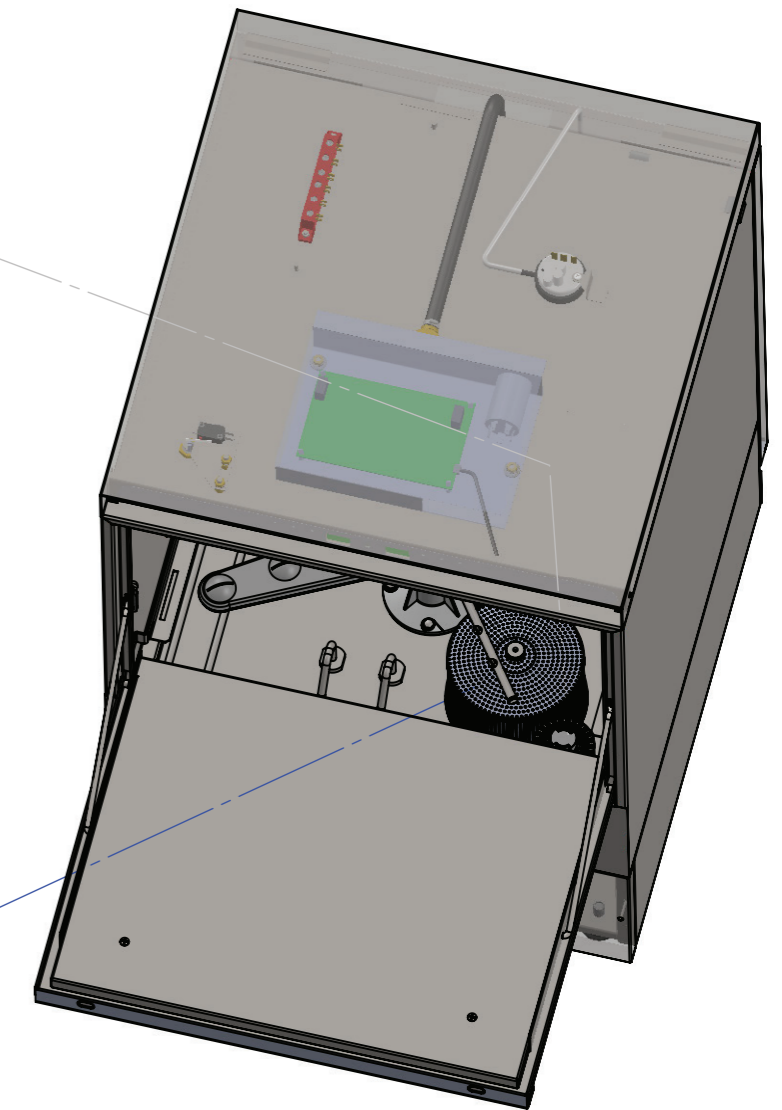
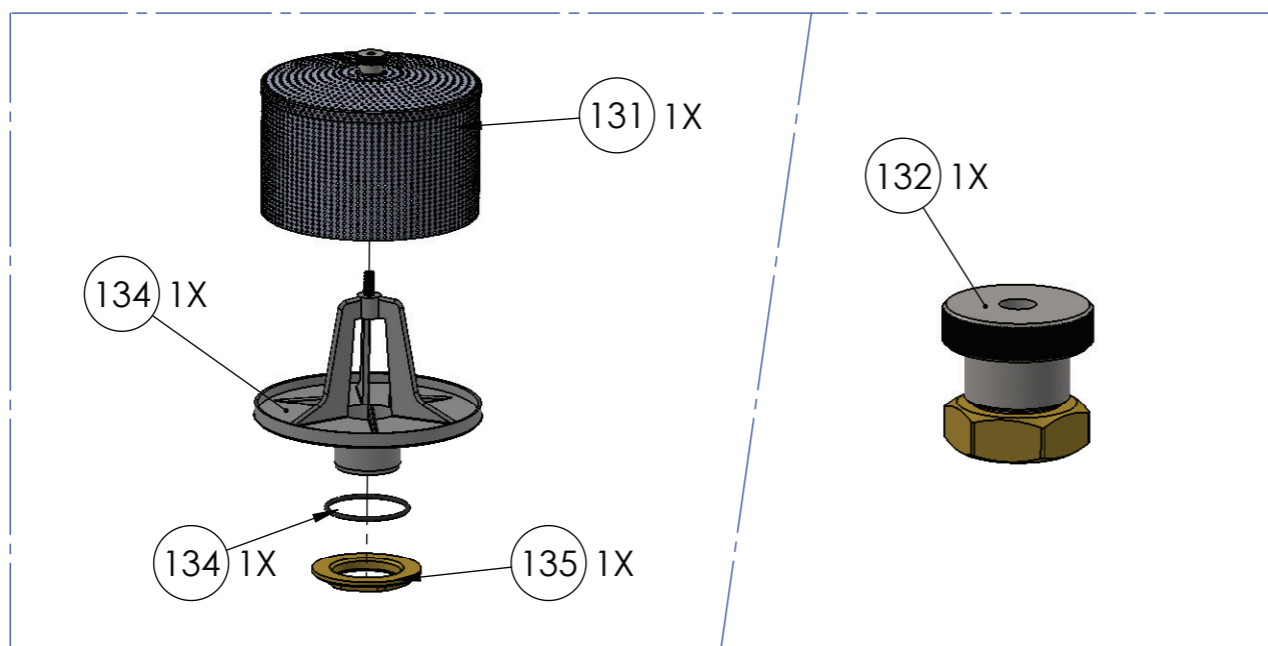
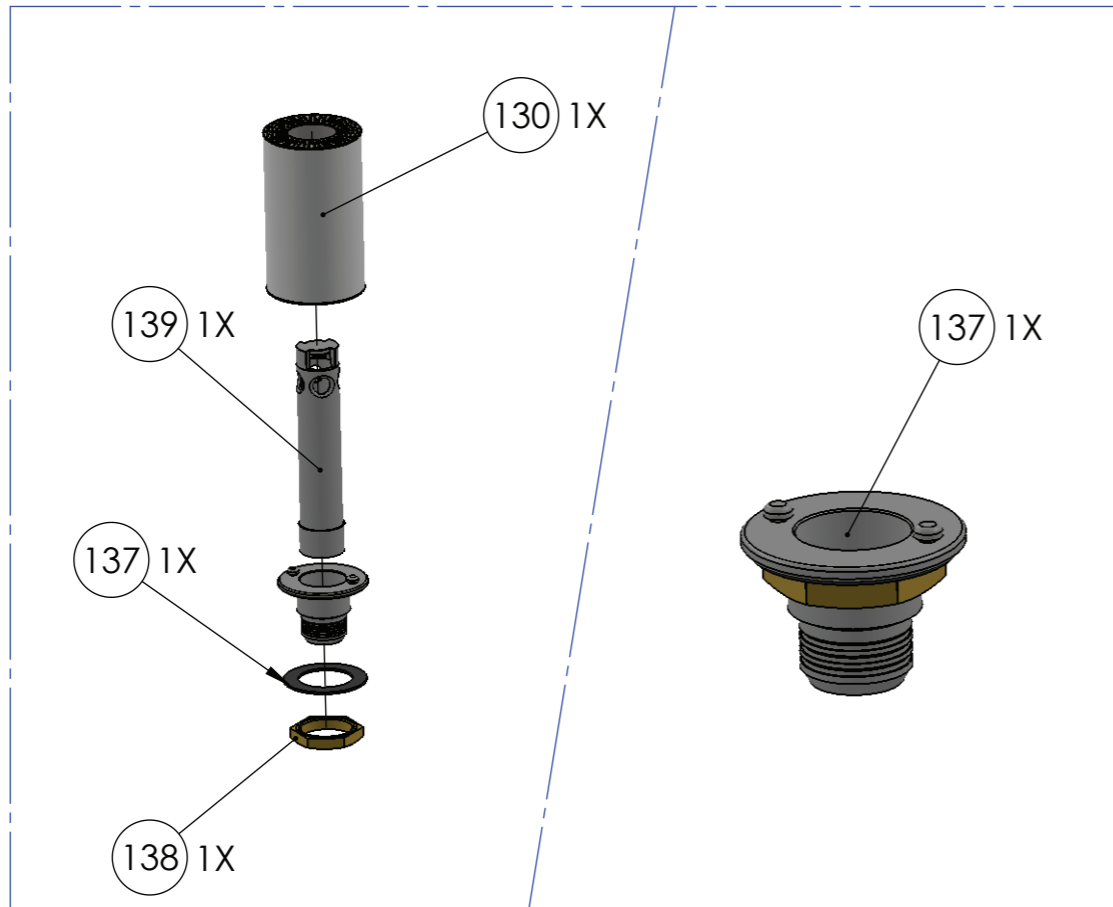
ITEM CODE:	ITEM DESCRIPTION:
MODEL CODE: 004.50.00024	PAGE: 15
	REVISION: 01

SERIES DESCRIPTION:  
DISHWASHER

MODEL DESCRIPTION:  
500

MODEL VERSION:  
380-415V 3~N 50/60 Hz

ITEM NO.	PART NUMBER	DESCRIPTION	QTY.
130	001.50.00040	DRAIN PUMP FILTER V500	1
131	001.70.00000	FILTER IN THE TANK FOR THE PUMP V-KN	1
132	001.00.00017	FILTER RETAINING NUT	1
133	002.00.00081	PLASTIC BASE FOR TANK FILTER V-K	1
134	002.00.00093	ORING 52X2,5	1
135	002.00.00037	NUT 1 1/2"	1
136	002.00.00257	DRAIN & OVERFLOW VALVE PLASTIC BASE	1
137	002.00.00238	RUBBER GASKET 35X55X1	1
138	002.00.00133	BRONZE NUT M36	1
139	002.50.00037	DRAIN AND OVERFLOW VALVE PLASTIC PART NEW V-K	1



SERIES DESCRIPTION:  
DISHWASHER

MODEL DESCRIPTION:  
500

MODEL VERSION:  
380-415V 3~N 50/60 Hz

ITEM CODE:

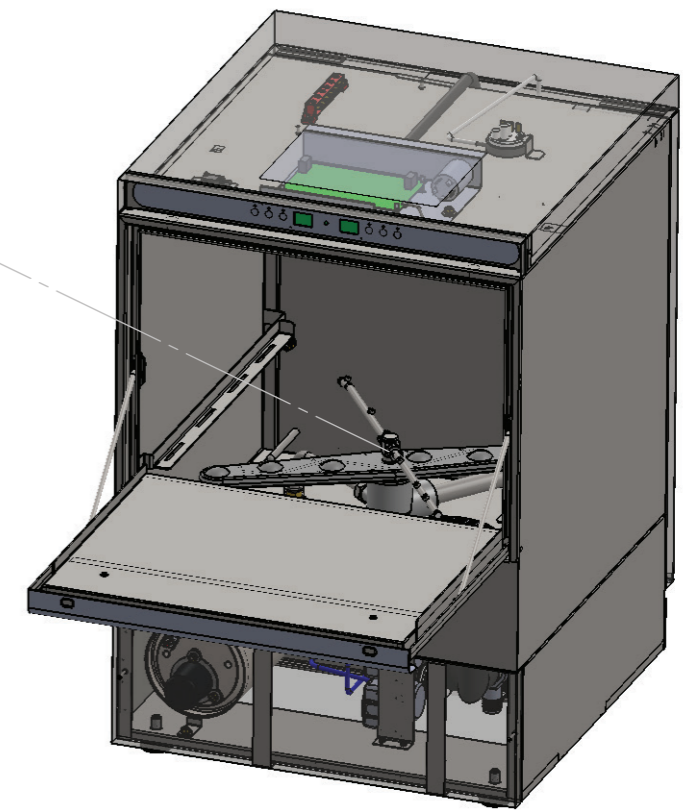
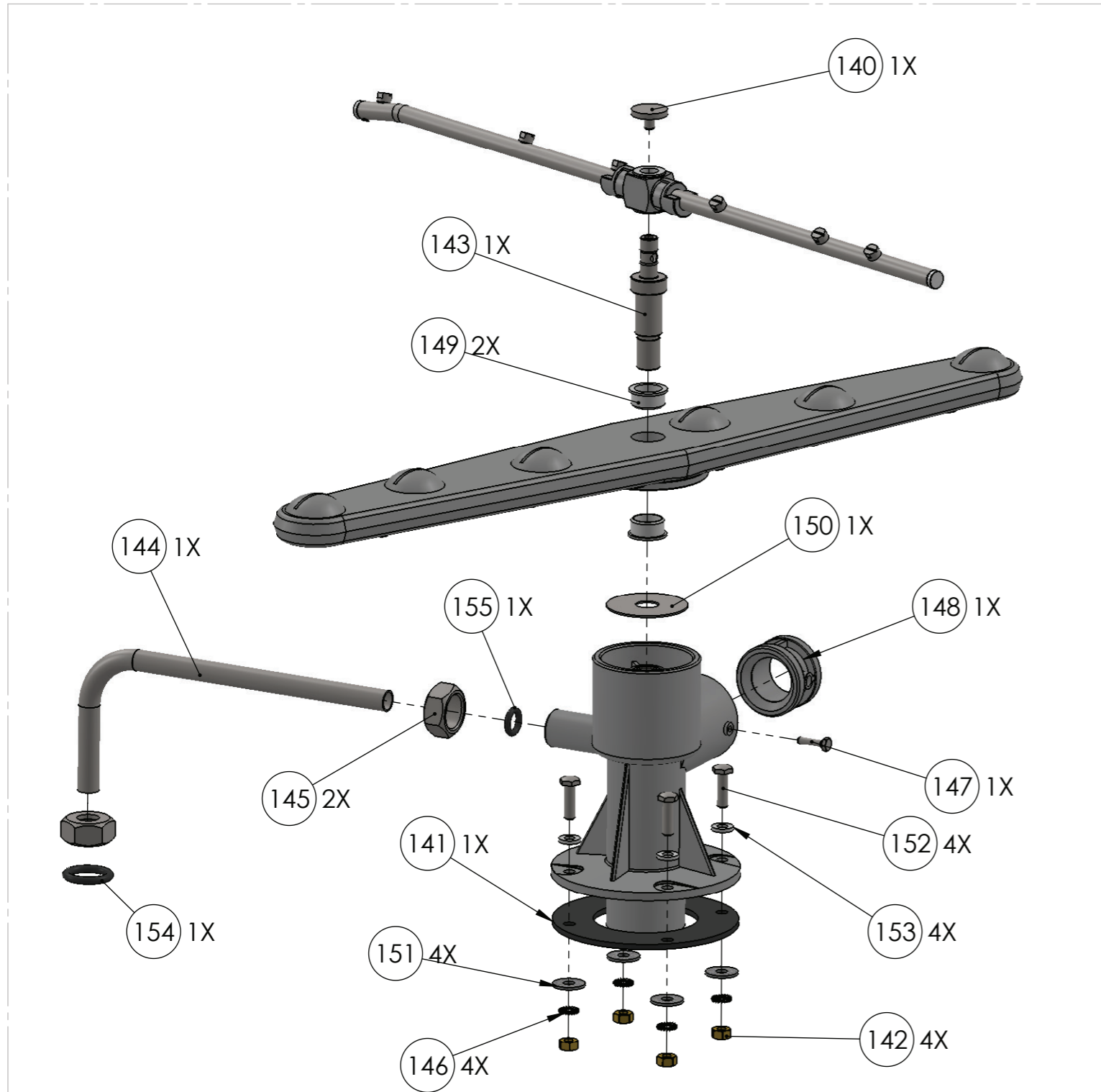
ITEM DESCRIPTION:

MODEL CODE:  
004.50.00024

PAGE:  
16

REVISION:  
01

ITEM NO.	PART NUMBER	DESCRIPTION	QTY.
140	002.50.00004	LOCK NUT FOR RINSING ARM	1
141	002.00.00105	RUBBER GASKET 103X58X3	1
142	003.00.00041	NUT M6 GALVANISED	4
143	002.11.00002	AXLE INOX FOR BASE DOWN V500	1
144	002.50.00022	RINSE PIPE INOX V-K	1
145	002.00.00144	RINSE PIPE RETAINING NUT	2
146	001.00.00204	GALVANIZED LOCK WASHER 6,4x11x0,7	4
147	003.00.00106	INOX HEX BOLT M4X15	1
148	002.50.00024	ADAPTOR $\Phi$ 40-25 FOR WASH BASE	1
149	002.00.00229	TEFLON $\Phi$ 23X10	2
150	002.50.00016	FLOW CONTROL DISK FOR BASE V-K	1
151	003.00.00516	WASHER STEEL $\Phi$ 6X18	4
152	003.00.00104	INOX HEX BOLT M6X20	4
153	002.00.00169	TEFLON 12-6-2	4
154	002.00.00071	O-RING 20X4	1
155	002.00.00091	ORING 3X10,5	1



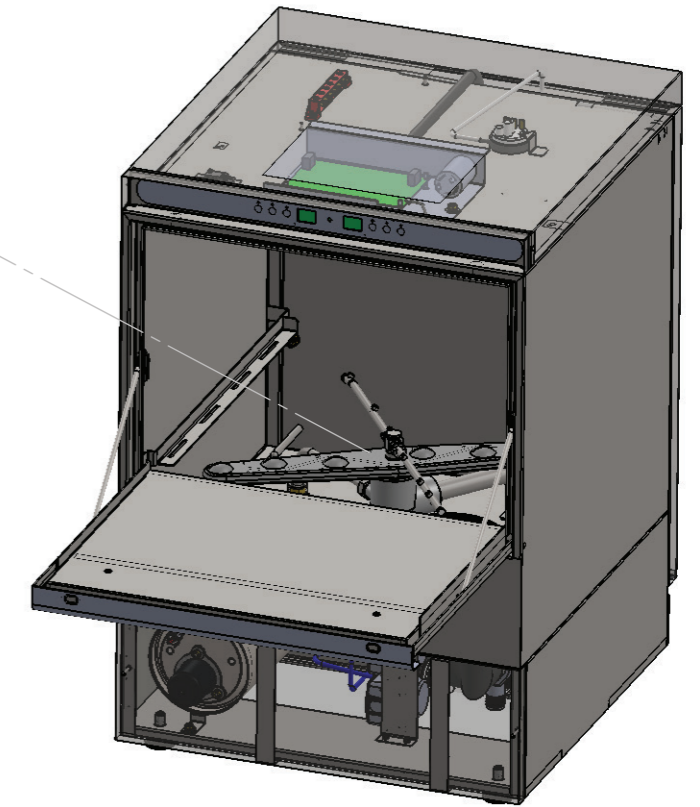
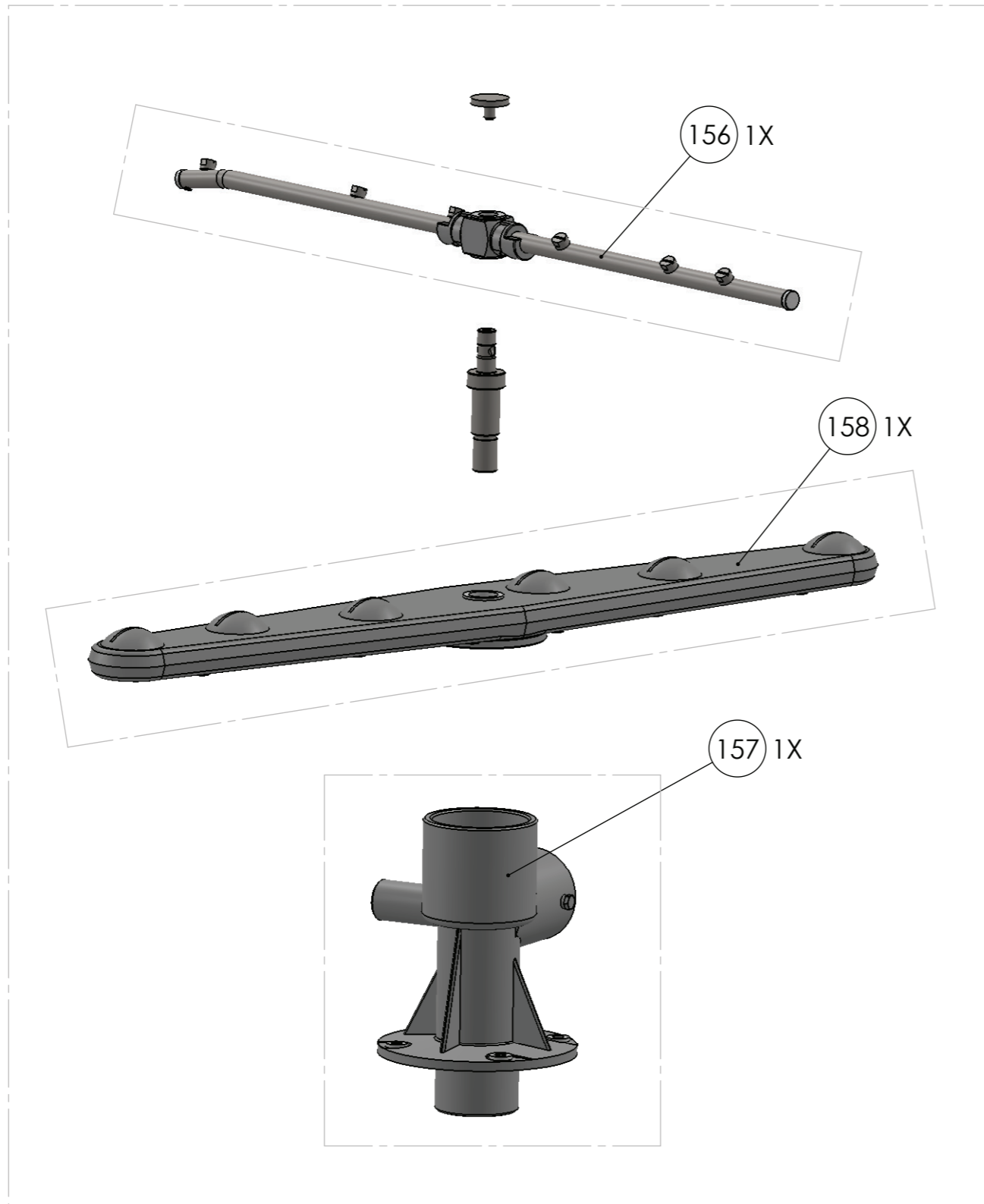
ITEM CODE:	ITEM DESCRIPTION:
MODEL CODE: 004.50.00024	PAGE: 17
	REVISION: 01

SERIES DESCRIPTION:  
DISHWASHER

MODEL DESCRIPTION:  
500

MODEL VERSION:  
380-415V 3~N 50/60 Hz

ITEM NO.	PART NUMBER	DESCRIPTION	QTY.
156	002.50.00026	RINSING ARM UP OR DOWN V-K	1
157	002.50.00036	WASHING BASE DOWN V-K COMPLETE	1
158	002.50.00006	LOWER WASHING ARM V50	1



ITEM CODE:	ITEM DESCRIPTION:
MODEL CODE: 004.50.00024	PAGE: 18
	REVISION: 01

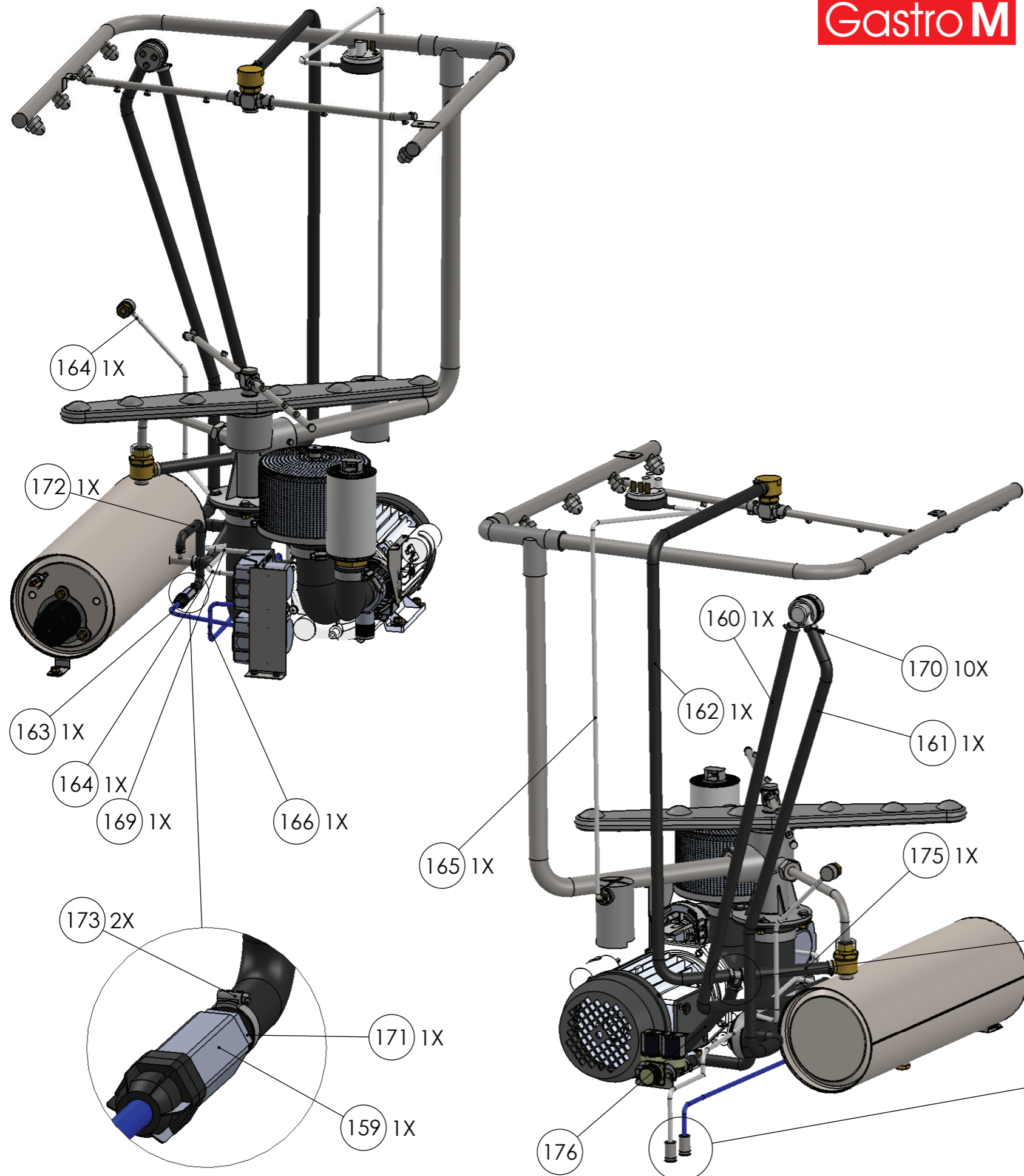
SERIES DESCRIPTION:  
DISHWASHER

MODEL DESCRIPTION:  
500

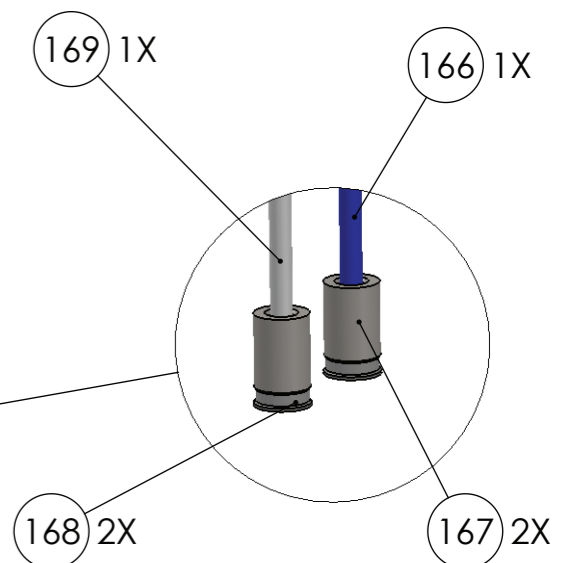
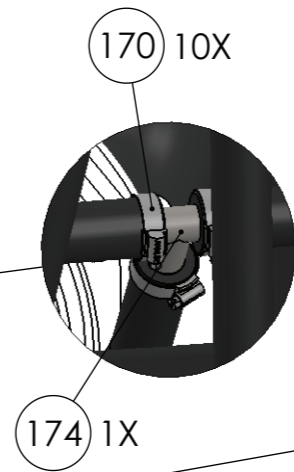
MODEL VERSION:  
380-415V 3~N 50/60 Hz



**Gastro M**



ITEM NO.	PART NUMBER	DESCRIPTION	QTY.
159	002.00.00002	NON RETURN VALVE FOR RINSE AID PUMP	1
160	002.00.00119-14	WASHING MACHINE HOSE BLACK 10X16.5	1
161	002.00.00119-12	WASHING MACHINE HOSE BLACK 10X16.5	1
162	002.00.00119-15	WASHING MACHINE HOSE BLACK 10X16.5	1
163	003.00.00487-6	TUBE PVC BLUE 4X6	1
164	003.00.00140_9	TUBO CRISTALLO 4X6	1
165	003.00.00140_8	TUBO CRISTALLO 4X6	1
166	003.00.00487-5	TUBE PVC BLUE 4X6	1
167	002.00.00195	BALANCE F15X20	2
168	002.00.00242	FILTER PLASTIC FOR RINSE AID VALVE	2
169	003.00.00140_10	TUBO CRISTALLO 4X6	1
170	002.00.00052	CLAMP 10-16	10
171	002.00.00287	FITTINGS 1/8x7	1
172	002.00.00132-2	WASHING MACHINE HOSE BLACK 6X12	1
173	002.00.00231	CLAMP 8-12	2
174	002.51.00007	T-CONNECTION BOLIER KNOSSOS	1
175	002.00.00119-16	WASHING MACHINE HOSE BLACK 10X16.5	1
176	002.00.00119-17	WASHING MACHINE HOSE BLACK 10X16.5	1



SERIES DESCRIPTION:  
DISHWASHER

MODEL DESCRIPTION:  
500

MODEL VERSION:  
380-415V 3~N 50/60 Hz

MODEL CODE:  
004.50.00024

PAGE:  
19

REVISION:  
01

ITEM CODE:

ITEM DESCRIPTION: