



**600 / 400 / 150 litre series
Refrigerators/Freezers**

Instruction manual



| | | |
|------|------------------------------------|----|
| (NL) | Koelkast/Vriestkast | 10 |
| | Handleiding | |
| (FR) | Armoire positive / négative | 18 |
| | Mode d'emploi | |
| (DE) | Kühlschrank/Gefrierschrank | 26 |
| | Bedienungsanleitung | |

| | | |
|------|--------------------------------|----|
| (IT) | Frigorifero/Congelatore | 34 |
| | Manuale di istruzioni | |
| (ES) | Frigorífico/Congelador | 42 |
| | Manual de instrucciones | |
| (PT) | Frigorífico/Congelador | 50 |
| | Manual de instruções | |

Model • Modèle • Modell • Modello • Modelo • Malli:
**CD610/CD611/CD612/CD613/CD614/CD615/CD080/CD081/CD082/
CD083/CD084/CD085/CD086/CD087/CD088/CB921/GL185**

Safety Instructions

- Position on a flat, stable surface.
- A service agent/qualified technician should carry out installation and any repairs if required. Do not remove any components or service panels on this product.
- Consult Local and National Standards to comply with the following:
 - Health and Safety at Work Legislation
 - BS EN Codes of Practice
 - Fire Precautions
 - IEE Wiring Regulations
 - Building Regulations
- DO NOT use jet/pressure washers to clean the appliance.
- DO NOT use the appliance outside.
- DO NOT use this appliance to store medical supplies.
- DO NOT allow oil or fat to come into contact with the plastic components or door seal. Clean immediately if contact occurs.
- DO NOT store products on top of the appliance.
- Bottles that contain a high percentage of alcohol must be sealed and placed vertically in the refrigerator.
- Always carry, store and handle the appliance in a vertical position and move by holding the base of the appliance.
- Always switch off and disconnect the power supply to the unit before cleaning.
- Keep all packaging away from children. Dispose of the packaging in accordance with the regulations of local authorities.
- If the power cord is damaged, it must be replaced by a POLAR agent or a recommended qualified technician in order to avoid a hazard.
- Children should be supervised to ensure that they do not play with the appliance.
- POLAR recommend that this product is connected to a circuit protected by an appropriate RCD (Residual Current Device).

- This appliance is not intended for use by persons (including children) with reduced physical, sensory or mental capabilities, or lack of experience or knowledge, unless they have been given supervision or instruction concerning the use of the appliance by a person responsible for their safety.
- POLAR recommend that this appliance should be periodically tested (at least annually) by a Competent Person. Testing should include, but not be limited to: Visual Inspection, Polarity Test, Earth Continuity, Insulation Continuity and Functional Testing.

Caution Risk of Fire



- Do not store explosive substances such as aerosol cans with a flammable propellant in this appliance.



Warning: Keep all ventilation openings clear of obstruction. Unit should not be boxed in without adequate ventilation.

- **Warning:** Do not use mechanical devices or other means to accelerate the defrosting process, other than those recommended by the manufacturer.
- **Warning:** Do not damage the refrigerant circuit.
- **Warning:** Do not use electrical appliances inside the food storage compartments of the appliance, unless they are the type recommended by the manufacturer.

Product Description

CD610 - 150 litre Refrigerator

CD612 - 400 litre Refrigerator

CD614 - 600 litre Refrigerator

CD086 - 150 litre Glass-Door Refrigerator

CD080 - 150 litre Stainless Steel Refrigerator

CD082 - 400 litre Stainless Steel Refrigerator

CD084 - 600 litre Stainless Steel Refrigerator

CD088 - 600 litre Glass-Door Refrigerator

GL185 - 522 litre Bakery Refrigerator

CD611 - 140 litre Freezer

CD613 - 365 litre Freezer

CD615 - 600 litre Freezer

CD087 - 400 litre Glass-Door Refrigerator

CD081 - 140 litre Stainless Steel Freezer

CD083 - 365 litre Stainless Freezer

CD085 - 600 litre Stainless Steel Freezer

CB921 - 365 litre Glass-Door Freezer

Introduction

Please take a few moments to carefully read through this manual. Correct maintenance and operation of this machine will provide the best possible performance from your POLAR product.

Pack Contents

The following is included:

- POLAR Refrigerator / Freezer
- Shelves - Refrigerator only
CD610/CD080/CD086 x 3
CD612/CD082/CD087 x 4
CD614/CD084/CD088 x 4
- Tray Guides - Bakery refrigerator only
GL185 x 12
- Keys x 2
- Spacers x 2
- Instruction Manual

POLAR prides itself on quality and service, ensuring that at the time of packaging the contents are supplied fully functional and free of damage.

Should you find any damage as a result of transit, please contact your POLAR dealer immediately.

Installation

Note: A bracket is used to support the door during transportation. On receipt please remove the bracket.



Note: If the unit has not been stored or moved in an upright position, let it stand upright for approximately 12 hours before operation. If in doubt allow to stand.

1. Remove the appliance from the packaging. Make sure that all protective plastic film and coatings are thoroughly removed from all surfaces.
2. To optimize performance and longevity, ensure a minimum clearance of 2.5cm is maintained between the unit and walls and other objects, with a minimum 5cm clearance on the top. **NEVER LOCATE NEXT TO A HEAT SOURCE.**



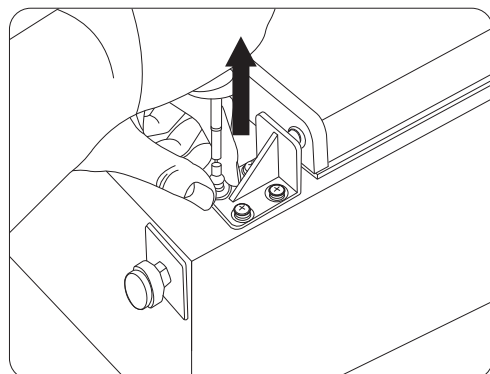
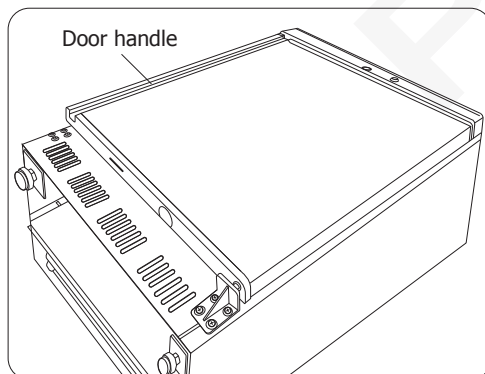
Note: Before using the appliance for the first time, clean the shelves and interior with soapy water. The appliance is supplied with feet by default. However, castors can be supplied as an option from serial number range: 8124199-UK / 8128873-EU onwards.

Reversing the door (Excluding model CB921/CD086/CD087/CD088)

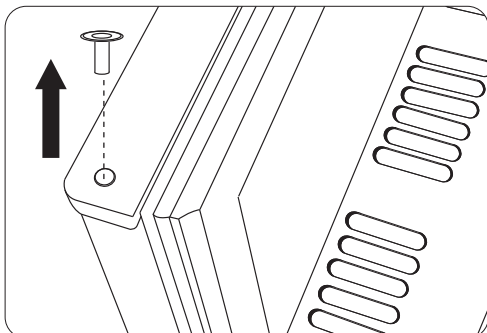
Depending on the location of the appliance, it may be necessary to change the direction the door opens by changing the side of the door handle.

To reverse the door handle:

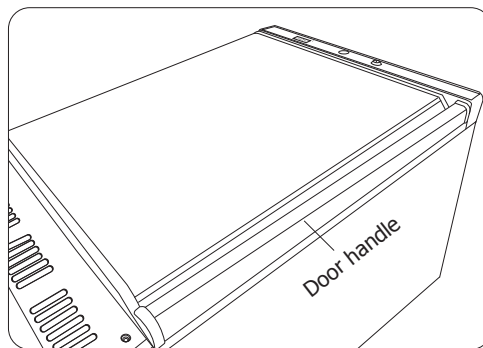
1. The door handle is on the left side. Disassemble the right lower hinge.



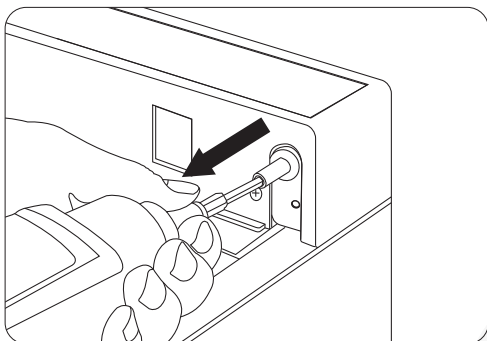
2. Remove the door from the right upper hinge. Then remove the hinge sleeve from the door top.



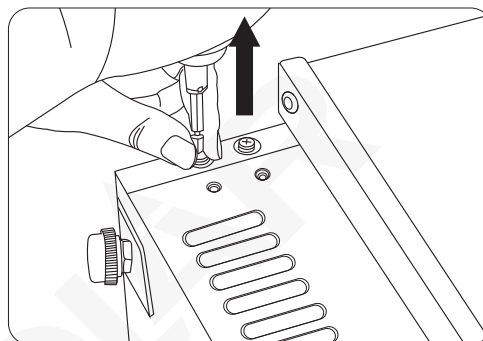
4. Reverse the door and hang it onto the left upper hinge.



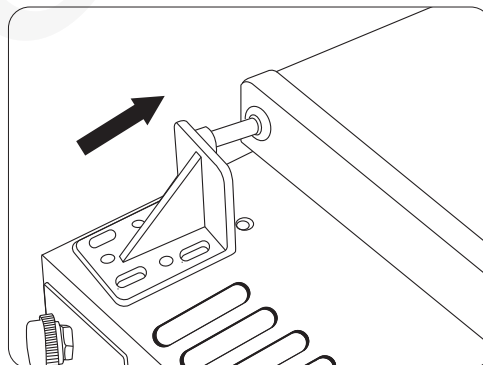
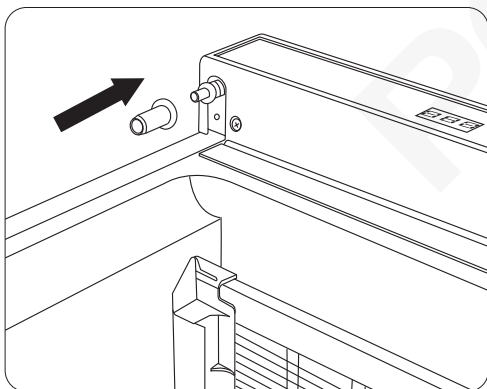
3. Remove the right upper hinge and install it on the left side. Afterwards, install the hinge sleeve onto the hinge.



5. Remove the pre-mounted screws on the left lower side.

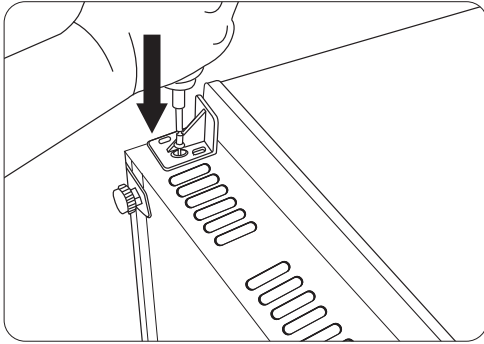


6. Install the previously removed right lower hinge on the left side.

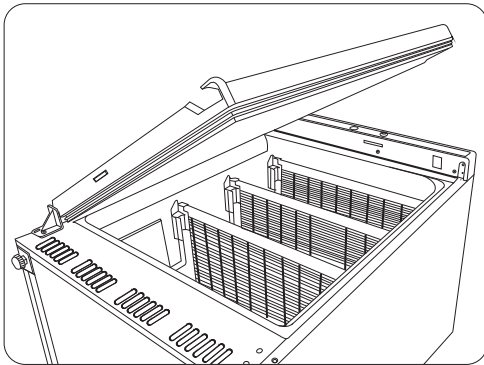


UK

- Secure the hinge in place using the previously removed screws.



- Now the door handle is installed on the right side.



Turn On

- Close the door of the appliance.
- Connect the appliance to a mains power supply.

Set the Operating Temperature

- Press the **SET** button for 3 seconds. The display will flash.
- Press the ▲ or ▼ buttons to display the required temperature.
- Press the **SET** button to store the temperature.

Manual Defrost

Press and hold the defrost button "aux" for 2 seconds to begin a manual defrost. The defrost light illuminates.

Storing Food

To get the best results from your POLAR appliance, follow these instructions:

- Only store foodstuffs in the appliance when it has reached the correct operating temperature.
- Do not place uncovered hot food or liquid inside the appliance.
- Wrap or cover food where possible.
- Do not obstruct the fans inside the appliance.
- Avoid opening the doors for prolonged periods of time.

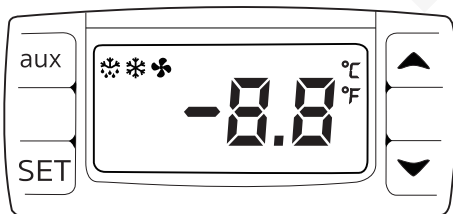
Lock/Unlock the Doors

- A lock is fitted to the doors to ensure foodstuffs are kept secure within your POLAR appliance.
- Use the keys provided to lock/unlock the door.

Operation

Control Panel

The control panel is located on the front of the appliance.



Cleaning, Care & Maintenance



Switch off and disconnect from the power supply before cleaning.

- Clean the interior of the appliance as often as possible.
- Do not use abrasive cleaning agents. These can leave harmful residues.
- Clean the door seal with warm soapy water.
- Always wipe dry after cleaning.
- Do not allow water used in cleaning to run through the drain hole into the evaporation pan.
- Take care when cleaning the rear of the appliance. Sharp edges can cut.
- A POLAR agent or qualified technician must carry out repairs if required.

Cleaning the Condenser

Periodically cleaning the condenser can extend the life of the appliance.

POLAR recommend that a POLAR agent or qualified technician should clean the condenser.

Troubleshooting

If your POLAR appliance develops a fault, please check the following table before making a call to the Helpline or your POLAR dealer.

| Fault | Probable Cause | Solution |
|---|---|--|
| The appliance is not working | The unit is not switched on | Check the unit is plugged in correctly and switched on |
| | Plug or lead is damaged | Call POLAR agent or qualified Technician |
| | Fuse in the plug has blown | Replace the fuse |
| | Power supply | Check power supply |
| The appliance turns on, but the temperature is too high/low | Too much ice on the evaporator | Defrost the appliance |
| | Condenser blocked with dust | Clean the condenser |
| | Doors are not shut properly | Check doors are shut and seals are not damaged |
| | Appliance is located near a heat source or air flow to the condenser is being interrupted | Move the refrigerator to a more suitable location |
| | Ambient temperature is too high | Increase ventilation or move appliance to a cooler position |
| | Unsuitable foodstuffs are being stored in the appliance | Remove any excessive hot foodstuffs or blockages to the fan |
| The appliance is leaking water | Appliance is overloaded | Reduce the amount of food stored in the appliance |
| | The appliance is not properly levelled | Adjust the screw feet to level the appliance (if applicable) |
| | The discharge outlet is blocked | Clear the discharge outlet |

| Fault | Probable Cause | Solution |
|---------------------------------|--|---|
| The appliance is leaking water | Movement of water to the drain is obstructed | Clear the floor of the appliance (if applicable) |
| | The water container is damaged | Call POLAR agent or qualified Technician |
| | The drip tray is overflowing | Empty the drip tray (if applicable) |
| The appliance is unusually loud | Loose nut/screw | Check and tighten all nuts and screws |
| | The appliance has not been installed in a level or stable position | Check installation position and change if necessary |
| The display lamp does not light | Lamp needing replacing | Call POLAR agent or qualified Technician |

Technical Specifications

| Model | Voltage | Power | Current | Temperature Range | Capacity (litres) | Refrigerant | Dimensions H x W x D mm | Weight (kg) |
|------------------------------|--------------|-------|---------|-------------------|-------------------|-----------------|-------------------------|-------------|
| CD610 CD080 | 230V 50Hz | 150 | 1.0A | 2°C to 8°C | 150 | R600a (35g) | 850 x 600 x 600 | 44 |
| CD611 CD081 | 230V 50Hz | 150 | 1.0A | -10°C to -25°C | 140 | R600a (36g) | 850 x 600 x 600 | 44.5 |
| CD612 CD082 | 230V 50Hz | 185 | 1.5A | 2°C to 8°C | 400 | R600a (75g) | 1850 x 600 x 600 | 69 |
| CD613 CD083 | 230V 50Hz | 210 | 2A | -10°C to -25°C | 365 | R600a (90g) | 1850 x 600 x 600 | 71 |
| CD614 CD084 | 230V 50Hz | 185 | 1.5A | 2°C to 8°C | 600 | R600a (100g) | 1890 x 777 x 695 | 90 |
| CD615 CD085 | 230V 50Hz | 350 | 3.5A | -10°C to -25°C | 600 | R600a (130g) | 1890 x 777 x 695 | 94 |
| CD086 | 230V 50Hz | 150 | 1.0A | 2°C to 8°C | 150 | R600a (35g) | 850 x 600 x 600 | 47 |
| CD087 | 230V 50Hz | 185 | 1.5A | 2°C to 8°C | 400 | R600a (90g) | 1850 x 600 x 600 | 72 |
| CD088 | 230V 50Hz | 185 | 1.5A | 2°C to 8°C | 600 | R600a (115g) | 1890 x 777 x 695 | 93 |
| CB921 | 230V 50Hz | 500 | 2.35A | -10°C to -25°C | 365 | R290 (110g) | 1850 x 600 x 600 | 76 |
| GL185 | 230V 50Hz | 130 | 0.9A | 0°C to 8°C | 522 | R600a (95g) | 1720 x 777 x 725 | 90 |

Electrical Wiring

POLAR appliances are supplied with a 3 pin BS1363 plug and lead.

The plug is to be connected to a suitable mains socket.

POLAR appliances are wired as follows:

- Live wire (coloured brown) to terminal marked L
- Neutral wire (coloured blue) to terminal marked N
- Earth wire (coloured green/yellow) to terminal marked E

This appliance must be earthed.



If in doubt consult a qualified electrician.

Electrical isolation points must be kept clear of any obstructions. In the event of any emergency disconnection being required they must be readily accessible.

Disposal

EU regulations require refrigeration product to be disposed of by specialist companies who remove or recycle all gasses, metal and plastic components.

Consult your local waste collection authority regarding disposal of your appliance. Local authorities are not obliged to dispose of commercial refrigeration equipment but may be able to offer advice on how to dispose of the equipment locally.

Alternatively call the POLAR helpline for details of national disposal companies within the EU.

Compliance

The WEEE logo on this product or its documentation indicates that the product must not be disposed of as household waste. To help prevent possible harm to human health and/or the environment, the product must be disposed of in an approved and environmentally safe recycling process. For further information on how to dispose of this product correctly, contact the product supplier, or the local authority responsible for waste disposal in your area.



POLAR parts have undergone strict product testing in order to comply with regulatory standards and specifications set by international, independent, and federal authorities.

POLAR products have been approved to carry the following symbol:



All rights reserved. No part of these instructions may be produced or transmitted in any form or by any means, electronic, mechanical, photocopying, recording or otherwise, without the prior written permission of POLAR.

Every effort is made to ensure all details are correct at the time of going to press, however, POLAR reserve the right to change specifications without notice.

Veiligheidstips

- Plaatsen op een vlakke en stabiele ondergrond.
- De installatie en eventuele reparaties dienen door een servicemonteur/vakman uitgevoerd te worden. Verwijder geen onderdelen of servicepanelen van dit product.
- Raadpleeg en volg de plaatselijke en nationale regelgeving op m.b.t. tot het volgende:
 - Wetgeving inzake gezondheid en veiligheid op het werk
 - NEN-praktijkrichtlijnen
 - Brandpreventie
 - IEE-bedradingsvoorschriften
 - - Bouwvoorschriften
- Dit product NIET reinigen met spuit-/drukreinigers.
- Dit product NIET gebruiken voor de berging van medische producten.
- NIET op de kastbasis, lades en deuren staan of als ondersteuning gebruiken.
- Laat NIET toe dat olie of vet in contact komt met plastic componenten of deurafdichtingen. Onmiddellijk reinigen indien dit wel gebeurt.
- GEËEN producten op de koellast bewaren.
- Uitsluitend geschikt voor gebruik binnenshuis.
- Flessen met een hoog alcoholpercentage moet goed worden afgesloten en verticaal in de koelkast worden bewaard.
- Dit product altijd in een verticale positie vervoeren, opslaan en gebruiken. Het product verplaatsen door aan de onderkant op te tillen.
- Alvorens dit product te reinigen dient men altijd de stroomvoorziening uit te schakelen.
- Laat verpakkingsmateriaal niet binnen handbereik van kinderen. Verpakkingsmateriaal in overeenstemming met de regelgeving van de plaatselijke overheden als afval laten verwerken.
- Indien de stroomkabel beschadigd raakt, dient men deze door een POLAR monteur of een aanbevolen vakman te laten vervangen om gevaarlijke situaties te voorkomen.
- Men dient er toezicht op te houden dat kinderen niet me het apparaat spelen.

- Dit apparaat is niet bedoeld voor gebruik door personen met lichamelijke, zintuiglijke of mentale beperkingen (inclusief kinderen) of met gebrek aan ervaring of kennis tenzij zij hierin worden begeleid of zijn opgeleid in het gebruik van het apparaat door een persoon, die verantwoordelijk is voor hun veiligheid.
- POLAR beveelt aan dat dit apparaat periodiek (minstens jaarlijks) door een bevoegde persoon wordt getest. Tests moeten omvatten, maar zijn niet beperkt tot: visuele inspectie, polariteit, aardings continuïteit, isolatie continuïteit en functionele test.

Voorzichtig brandgevaar



- Heeft explosieve stoffen zoals spuitbussen niet slaan met een brandbaar drijfgas in dit apparaat.



Waarschuwing: Hou alle ventilatieopeningen vrij van obstakels. Het apparaat mag niet ingesloten worden zonder adequate ventilatie.

- **Waarschuwing:** gebruikt geen mechanische apparaten of andere middelen om het ontdooien te versnellen, anders dan welke aanbevolen worden door de fabrikant.
- **Waarschuwing:** het koelcircuit niet beschadigen.
- **Waarschuwing:** Gebruik geen elektrische apparaten in de bewaar ruimte voor voedsel van het apparaat, tenzij ze het een type betreft welke wordt aanbevolen door de fabrikant.

Productbeschrijving

CD610 - 150 liter koeling
 CD612 - 400 liter koeling
 CD614 - 600 liter koeling
 CD086 - 150 liter display koeling
 CD081 - 140 liter RVS vriezer
 CD083 - 365 liter RVS vriezer
 CD085 - 600 liter RVS vriezer
 CB921 - 365 liter display vriezer
 GL185 - 522 liter Patisserie koeling

CD611 - 140 liter vriezer
 CD613 - 365 liter vriezer
 CD615 - 600 liter vriezer
 CD080 - 150 RVS koeling
 CD082 - 400 RVS koeling
 CD084 - 600 liter RVS koeling
 CD088 - 600 liter display koeling
 CD087 - 400 liter display koeling

Inleiding

Neem de tijd om deze handleiding aandachtig door te lezen. Met het correcte gebruik en onderhoud levert dit product van POLAR de beste resultaten op.

Verpakkingsinhoud

De verpakking bevat het volgende:

- POLAR koeling of vriezer
- Roosters - uitsluitend koelingen
CD610/CD080/CD086 x 3
CD612/CD082/CD087 x 4
CD614/CD084/CD088 x 4
- Ladegeleiders - alleen patisserie koeling
GL185 x 12
- Sleutels x 2
- Verbindingsstuk x 2
- Handleiding

POLAR is trots op de haar productkwaliteit en dienstverlening en controleer de inhoud van de verpakkingen, tijdens de verpakkingsfase, op functioneren en schade. Mocht uw product door transport zijn beschadigd, neem dan onmiddellijk contact op met uw POLAR-dealer.

Installatie

Opmerking: Er wordt een beugel gebruikt om de deur tijdens het transport te ondersteunen. Verwijder bij ontvangst de beugel.



Opmerking: indien het apparaat niet in een rechtopstaande positie is opgeslagen of vervoerd, dient men het product 12 uur vóór gebruik in de rechtopstaande positie te plaatsen. Bij twijfel dient men het product ook in een rechtopstaande positie te plaatsen.

1. Haal het product uit de verpakking. Zorg ervoor dat u de beschermingsfolie en -lagen van alle oppervlakken heeft verwijderd.
2. Om de prestaties en levensduur te optimaliseren, dient u ervoor te zorgen dat er minimaal 2,5 cm afstand wordt gehouden tussen de unit en muren en andere objecten, met een minimale vrije ruimte van 5 cm aan de bovenkant. **PLAATS NOOIT NAAST EEN WARMTEBRON.**

Opmerking: Voor het eerste gebruik van dit product dient u de lades en de binnenzijde met zeepwater te reinigen.

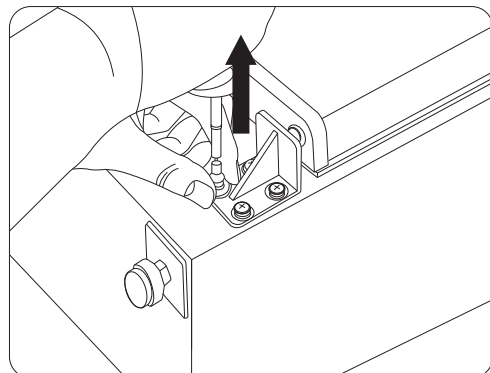
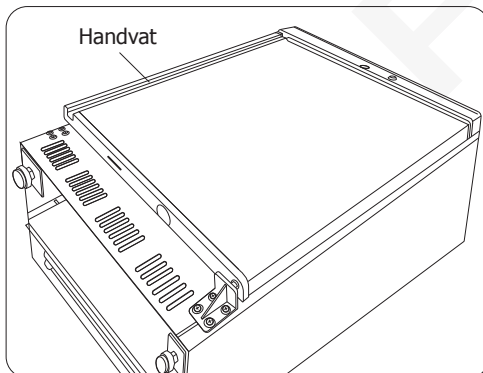
Het apparaat wordt standaard geleverd met voeten. Zwenkwielen kunnen echter als optie worden geleverd in het serienummerbereik: 8124199-UK / 8128873-EU en verder.

Omdraaien van de deur (Exclusief model CB921/CD086/CD087/CD088)

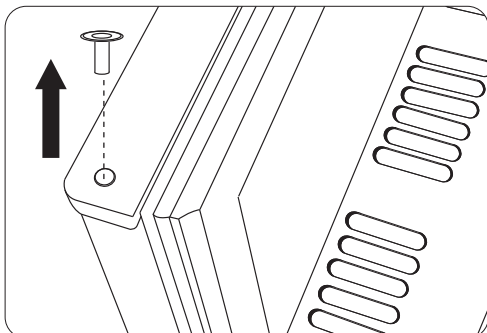
Afhankelijk van de locatie van het toestel kan het noodzakelijk zijn de richting te wijzigen waarop de deur opent door het handvat aan de andere kant te zetten.

Om het handvat om te keren:

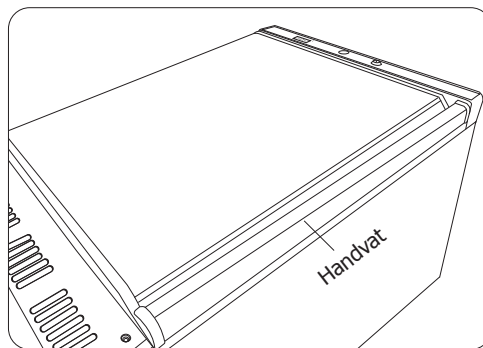
1. Het handvat bevindt zich aan de linkerkant. Demonteer het scharnier onderaan rechts.



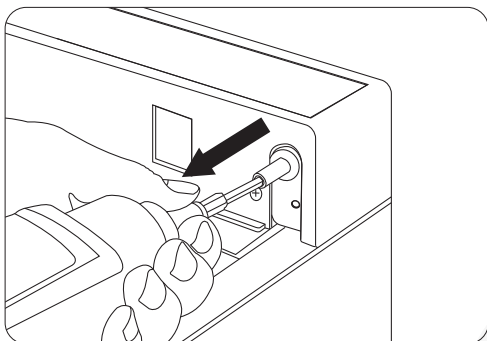
2. Verwijder de deur van het scharnier rechts bovenaan. Verwijder dan de scharnierkoker van het bovenstuk van de deur.



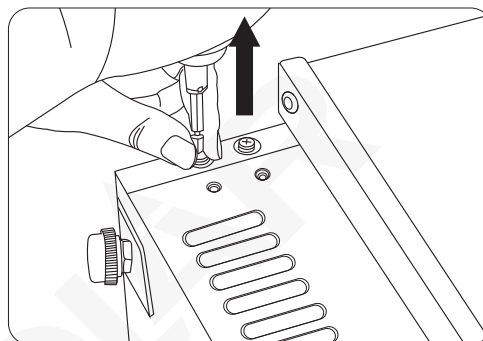
4. Keer de deur om en hang deze aan het scharnier links bovenaan.



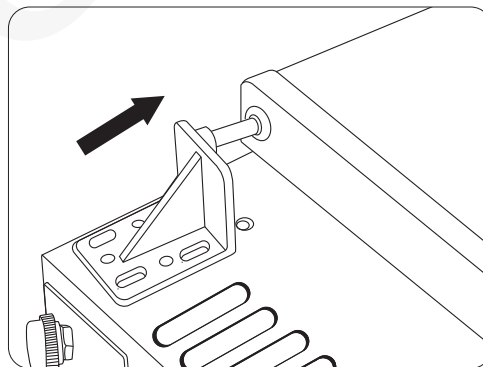
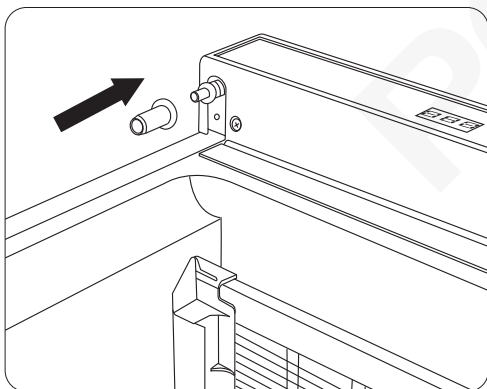
3. Verwijder het scharnier rechts bovenaan en installeer het aan de linkerzijde. Installeer nadien de scharnierkoker op het scharnier.



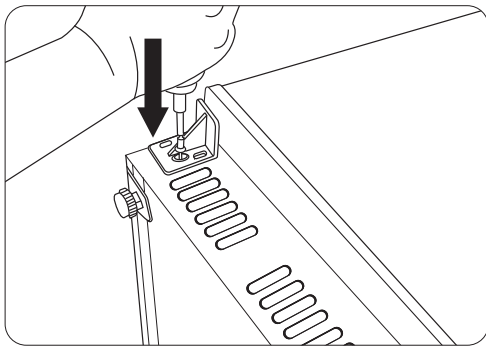
5. Verwijder de vooraf gemonteerde schroeven aan de zijde links onderaan.



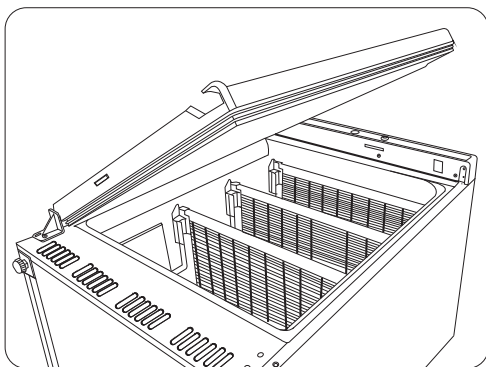
6. Installeer het eerder verwijderde scharnier, rechts onderaan, aan de linkerzijde.



7. Bevestig het scharnier op zijn plaats met de eerder verwijderde schroeven.



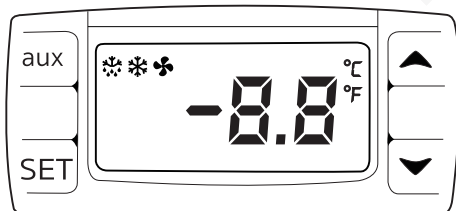
8. Nu is het handvat geïnstalleerd aan de rechterzijde.



Bediening

Bedieningspaneel

Het bedieningspaneel bevindt zich aan de voorzijde van het apparaat.



Aanzetten

1. Sluit de deur van het apparaat.
2. Sluit het apparaat aan op de stroomvoorziening.

Werktemperatuur instellen

1. Houd de **SET** toets gedurende 3 seconden ingedrukt. Het display knippert.
2. Druk op de ▲ of ▼ knoppen om de vereiste temperatuur weer te geven.
3. Druk op de **SET** knop om de temperatuurwaarde op te slaan.

Handmatig ontdooien

De knop "aux" indrukken en gedurende 2 seconden ingedrukt houden om ontdooiing te starten. Het ontdooiingslampje gaat aan.

Opslag van levensmiddelen

Volg de volgende aanwijzingen voor de beste resultaten met uw POLAR-product:

- Bewaar uitsluitend levensmiddelen in het apparaat wanneer het apparaat de juiste gebruikstemperatuur heeft bereikt.
- Plaats geen onafgedekte, warme levensmiddelen of vloeistof in het product.
- Voedsel afdekken en inwickelen wanneer mogelijk.
- Niet de interne ventilatoren in het apparaat blokkeren.
- Laat de deuren niet al te lang openstaan.

Vergrendelen/ontgrendelen van deuren

- De deuren zijn voorzien van een slot om de levensmiddelen veilig te bewaren in uw POLAR-product.
- Gebruik de meegeleverde sleutels om de deur te vergrendelen/ontgrendelen.

Reiniging, zorg & onderhoud



Alvorens het apparaat te reinigen dient men de stroomvoorziening uit te schakelen.

- Reinig zo vaak mogelijk de binnenkant van het apparaat.
- Gebruik géén schurende reinigingsmiddelen. Dergelijke middelen kunnen schadelijke resten achterlaten.
- Reinig de deurdichting met warm zeepwater.
- Na reiniging altijd droogmaken.
- Het voor reiniging gebruikte water mag niet door het afvoergat naar de verdampingspan stromen.
- Ga voorzichtig te werk bij het reinigen van de achterzijde van het product. Scherpe randen kunnen snijwonden veroorzaken.
- Eventuele reparaties moeten door een POLAR-monteur of een vakman worden uitgevoerd.

Reiniging van de condensor

De periodieke reiniging van de condensor kan de technische levensduur van het product verlengen.

Oplossen van problemen

| Probleem | Mogelijke oorzaak | Handeling |
|---|---|---|
| Het apparaat werkt niet | Het apparaat staat uit | Controleer of de stroomkabel van het apparaat is aangesloten en of het apparaat is ingeschakeld |
| | Stekker en kabel zijn beschadigd | Laat een POLAR-monteur of een vakman komen |
| | Stroomvoorziening | Controleer de stroomvoorziening |
| Het product staat aan maar de temperatuur is te hoog/laag | Teveel ijs in de verdamper | Ontdooi het apparaat |
| | Condensor wordt geblokkeerd door stof | Reinig de condensor |
| | Deuren niet goed gesloten | Controleren of de deuren goed dicht zijn en of afdichtingen niet beschadigd zijn |
| | Het product bevindt zich in de nabijheid van een warmtebron of de luchtstroom naar de condensor wordt onderbroken | Verplaats de koelkast naar een geschiktere locatie |
| | Omgevingstemperatuur is te hoog | Verbeter de ventilatie of verplaats het product naar een koelere locatie |
| | Ongeschikte levensmiddelen worden in het product bewaard | Verwijder alle overbodige warme levensmiddelen of deblokkeer de ventilator |
| | Het product wordt overbelast | Verminder de hoeveelheid opgeslagen voedsel in het product |
| Het product lekt water | Het product staat niet recht | Pas de verstelbare poten aan om het product te nivelleren (indien nodig) |
| | De afvoeropening wordt geblokkeerd | Maak de afvoeropening vrij van obstakels |

| Probleem | Mogelijke oorzaak | Handeling |
|--|--|---|
| Het product lekt water | De waterstroom naar de afvoer wordt geblokkeerd | Maak de vloer vrij van obstakels (indien nodig) |
| | De waterbak is beschadigd | Laat een POLAR-monteur of een vakman komen |
| | De lekbak stroomt over | Leeg de lekbak (indien nodig) |
| Het product maakt ongebruikelijk veel lawaai | Moer/schroef los | Alle moeren en schroeven controleren en aandraaien |
| | Het product is niet op een vlakke of stabiele ondergrond geplaatst | Controleer de positie en verander deze indien nodig |
| De displaylamp gaat niet aan | Lamp vervangen | Laat een POLAR-monteur of een vakman komen |

Technische specificaties

| Model | Voltage | Vermogen | Stroom | Temperatuur-bereik | Inhoud (liters) | Koel-middel | Afmetingen h x b x d mm | Gewicht (kg) |
|------------------------------|--------------|----------|--------|--------------------|-----------------|-----------------|-------------------------|--------------|
| CD610 CD080 | 230V 50Hz | 150 | 1,0A | 2°C tot 8°C | 150 | R600a (35g) | 850 x 600 x 600 | 44 |
| CD611 CD081 | 230V 50Hz | 150 | 1,0A | -10°C tot -25°C | 140 | R600a (36g) | 850 x 600 x 600 | 44,5 |
| CD612 CD082 | 230V 50Hz | 185 | 1,5A | 2°C tot 8°C | 400 | R600a (75g) | 1850 x 600 x 600 | 69 |
| CD613 CD083 | 230V 50Hz | 210 | 2A | -10°C tot -25°C | 365 | R600a (90g) | 1850 x 600 x 600 | 71 |
| CD614 CD084 | 230V 50Hz | 185 | 1,5A | 2°C tot 8°C | 600 | R600a (100g) | 1890 x 777 x 695 | 90 |
| CD615 CD085 | 230V 50Hz | 350 | 3,5A | -10°C tot -25°C | 600 | R600a (130g) | 1890 x 777 x 695 | 94 |
| CD086 | 230V 50Hz | 150 | 1,0A | 2°C tot 8°C | 150 | R600a (35g) | 850 x 600 x 600 | 47 |
| CD087 | 230V 50Hz | 185 | 1,5A | 2°C tot 8°C | 400 | R600a (90g) | 1850 x 600 x 600 | 72 |
| CD088 | 230V 50Hz | 185 | 1,5A | 2°C tot 8°C | 600 | R600a (115g) | 1890 x 777 x 695 | 93 |
| CB921 | 230V 50Hz | 500 | 2,35A | -10°C tot -25°C | 365 | R290 (110g) | 1850 x 600 x 600 | 76 |
| GL185 | 230V 50Hz | 130 | 0,9A | 0°C tot 8°C | 522 | R600a (95g) | 1720 x 777 x 725 | 90 |

Elektrische bedrading

Men dient de stekker op een geschikt stopcontact aan te sluiten.

De bedrading van dit apparaat is als volgt:

- Stroomkabel (bruin) naar de aansluitklem gemarkeerd met L
- Neutraalkabel (blauw) naar de aansluitklem gemarkeerd met N
- Aardkabel (groen/geel) naar de aansluitklem gemarkeerd met E

Dit apparaat moet worden geaard.



Raadpleeg bij twijfel een vakkundige elektricien.

De elektrische isolatiepunten mogen niet worden geblokkeerd. In geval van een nooduitschakeling moeten de isolatiepunten direct toegankelijk zijn.

Afvalverwerking

De EU-richtlijnen vereisen dat koelproducten door gespecialiseerde bedrijven wordt verwerkt die gassen, metalen en plastic componenten verwijderen of recyclen.

Raadpleeg uw plaatselijke afvalverwerkingsbedrijf voor informatie over de afvalverwerking van uw apparaat. Plaatselijke overheden zijn niet verplicht om commerciële koelapparatuur als afval te verwerken maar kunnen u wellicht informeren waar u het apparaat kunt afgeven.

U kunt ook de POLAR-helppesdesk bellen voor informatie over landelijke afvalverwerkingsbedrijven in de EU.

Productconformiteit

Het WEEE-logo op dit product of bijbehorende documentatie geeft aan dat het product niet onder huisvuil valt en als zodanig ook niet mag worden verwerkt. Ter preventie van mogelijke gevaren voor de gezondheid van personen en/of voor het milieu, dient men dit product in overeenstemming met het voorgeschreven en milieuvriendelijke recyclingproces als afval te verwerken. Raadpleeg uw productleverancier of uw plaatselijk afvalverwerkingsbedrijf voor meer informatie over de juiste afvalverwerking van dit product.



De onderdelen van POLAR producten hebben strenge producttesten ondergaan om te voldoen aan wettelijke regels en specificaties die door internationale, onafhankelijke en landelijke overheden worden voorgeschreven.



POLAR producten zijn goedgekeurd en voorzien van het volgende symbool:

Alle rechten voorbehouden. Het is verboden om deze handleiding, hetzij volledig of gedeeltelijk, elektronisch of mechanisch te reproduceren, kopiëren, op opslagmedia op te slaan of op enigerlei wijze over te dragen, zonder voorafgaande goedkeuring van POLAR.

Wij hebben er alles aan gedaan om er zeker van te zijn dat op publicatiedatum van de handleiding alle details correct zijn. POLAR behoudt echter het recht om zonder voorafgaande kennisgeving de specificaties te wijzigen.

Conseils de sécurité

- Placez l'appareil sur une surface stable et de niveau.
- L'installation et les éventuelles réparations doivent être confiées à un dépanneur / technicien qualifié. Ne retirez aucun composant ou cache de ce produit.
- Consultez les normes locales et nationales pour vous conformer aux :
 - lois sur l'hygiène et la sécurité au travail ;
 - codes de bonnes pratiques BS EN ;
 - précautions contre le risque d'incendie ;
 - réglementations sur les branchements électriques IEE ;
 - règlements sur la construction
- NE PAS nettoyer cet appareil avec un nettoyeur à jet / à pression.
- NE PAS se servir de cet appareil pour stocker des médicaments.
- NE PAS éclabousser les composants en plastique ou les joints de porte d'huile ou de matières grasses.
- En cas d'éclaboussure, nettoyez immédiatement la surface touchée.
- NE STOCKEZ aucun produit sur le dessus de l'appareil.
- Cet appareil est réservé exclusivement à une utilisation à l'intérieur.
- Les bouteilles qui contiennent un haut pourcentage d'alcool doivent être bouchonnées et rangées à la verticale dans le réfrigérateur.
- Veillez à toujours transporter, stocker et manipuler l'appareil à la verticale et à le déplacer en tenant la base du châssis.
- N'oubliez jamais d'éteindre et de débrancher l'appareil avant de procéder à son nettoyage.
- Gardez les emballages hors de portée des enfants. Débarrassez-vous des emballages conformément aux règlements des autorités locales.
- Un cordon d'alimentation endommagé doit être remplacé par un agent POLAR ou un technicien qualifié recommandé, pour éviter tout danger.
- Surveillez les enfants pour les empêcher de jouer avec l'appareil.

- Cet appareil n'a pas été conçu pour être utilisé par des personnes (enfants inclus) à capacités physiques, sensorielles ou mentales réduites ou ne disposant pas d'une expérience ou de connaissances suffisantes, à moins que lesdites personnes n'aient été formées ou instruites quant à son utilisation, par une personne responsable de leur sécurité.
- POLAR recommande de faire tester régulièrement cet appareil (une fois par an au minimum) par une personne compétente. Le test devrait inclure, entre autres : inspection visuelle, test de polarité, la continuité de masse (équipement de classe I), test d'isolation et test de fonctionnement.



Attention Risque d'incendie

- Ne stockez pas de substances explosives telles que les aérosols avec un propulseur inflammable dans cet appareil.



Attention : Ne bouchez pas les grilles d'aération. Le meuble ne doit pas être encastré sans l'aération adéquate.

- **Attention** : Ne pas utiliser de dispositifs mécaniques ou autres moyens pour accélérer le processus de dégivrage, autres que ceux recommandés par le fabricant.
- **Attention** : Ne pas endommager le circuit frigorifique.
- **Attention** : Ne pas utiliser d'appareils électriques à l'intérieur des compartiments de stockage alimentaire de l'appareil, à moins qu'ils ne soient recommandés par le fabricant.

Description des produits

| | |
|---|--|
| CB921 - Vitrine réfrigérée négative 365 litres | CD610 - Dessous de comptoir positif 150 litres |
| CD611 - Dessous de comptoir négatif 140 litres | CD612 - Armoire réfrigérée positive 400 litres |
| CD613 - Armoire réfrigérée négative 365 litres | CD614 - Armoire réfrigérée positive 600 litres |
| CD615 - Armoire réfrigérée négative 600 litres | CD080 - Dessous de comptoir positif inox 150 litres |
| CD081 - Dessous de comptoir négatif inox 140 litres | CD082 - Armoire réfrigérée positive inox 400 litres |
| CD083 - Armoire réfrigérée négative inox 365 litres | CD084 - Armoire réfrigérée positive inox 600 litres |
| CD085 - Armoire réfrigérée négative 600 litres | CD086 - Vitrine réfrigérée dessous comptoir 150 litres |
| CD087 - Vitrine réfrigérée positive 400 litres | CD088 - Vitrine réfrigérée positive 600 litres |
| GL185 - Armoire pâtisseries 522 litres | |

Introduction

Nous vous invitons à consacrer quelques instants à la lecture attentive de ce mode d'emploi. L'entretien et l'utilisation appropriés de cet appareil vous permettront de tirer le meilleur de votre produit POLAR.

Contenu

Les éléments suivants vous sont fournis de série :

- Armoire positive ou négative POLAR
- Étagères – armoire positive uniquement
CD610/CD080/CD086 x 3
CD612/CD082/CD087 x 4
CD614/CD084/CD088 x 4
- Glissières - uniquement pour l'armoire pâtissière GL185 x 12
- 2 clés
- 2 entretoise
- Mode d'emploi

POLAR attache une grande importance à la qualité et au service et veille à fournir des produits en état opérationnel parfaitement intacts au moment de l'emballage.

Nous vous prions de contacter votre revendeur POLAR immédiatement si vous constatez un dommage quelconque survenu pendant le transport du produit.

Installation

Remarque : Un support est utilisé pour soutenir la porte pendant le transport. A réception, veuillez retirer le support.



Remarque : dans les cas où l'appareil a été stocké ou déplacé autrement qu'à la verticale, placez-le en position debout pendant environ 12 heures avant de vous en servir. En cas de doute, laissez l'appareil se reposer.

1. Sortez l'appareil de l'emballage. Veillez à bien retirer toute la pellicule et les revêtements de protection de toutes les surfaces.
2. Pour optimiser les performances et la longévité, assurez-vous qu'un dégagement minimum de 2,5 cm est maintenu entre l'unité et les murs et autres objets, avec un dégagement minimum de 5 cm sur le dessus. **NE JAMAIS PLACER À PROXIMITÉ D'UNE SOURCE DE CHALEUR.**

Remarque : Avant de mettre l'appareil en service pour la première fois, nettoyez les étagères et l'intérieur de l'appareil à l'eau savonneuse.

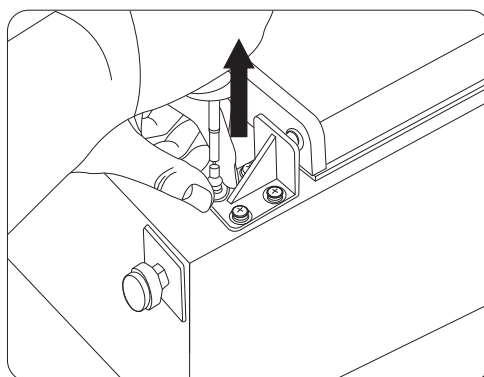
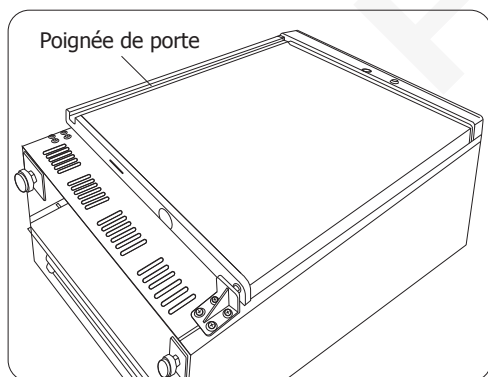
L'appareil est fourni avec les pieds par défaut. Cependant, les roulettes peuvent être fournies en option à partir de la gamme de numéros de série: 8124199-UK / 8128873-EU et suivants.

Inversion de la porte (Hors modèle CB921/CD086/CD087/CD088)

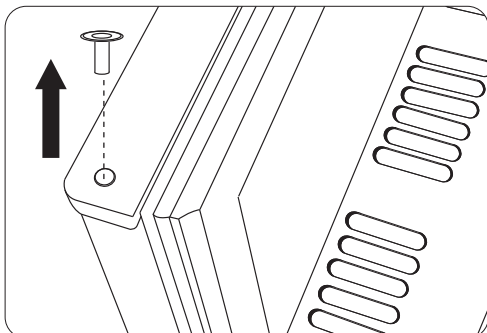
Selon l'emplacement de l'appareil, il pourrait être nécessaire de changer le sens d'ouverture de la porte en changeant la poignée de porte de côté.

Pour inverser la poignée de porte :

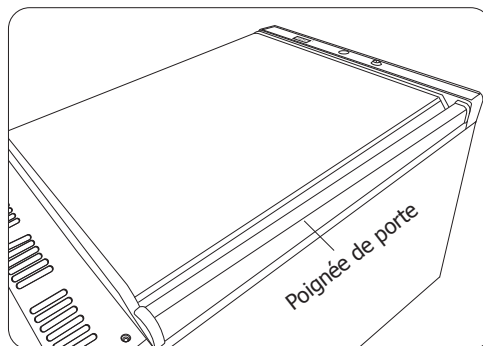
1. La poignée de la porte se trouve sur le côté gauche. Démontez la charnière inférieure droite.



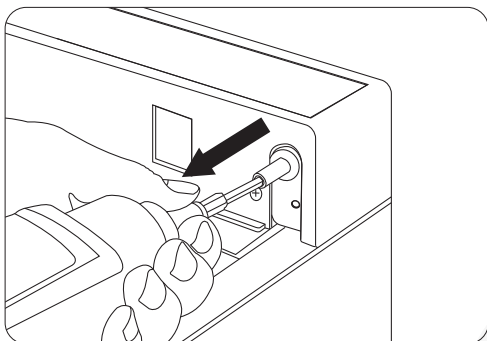
2. Retirez la porte de la charnière supérieure droite. Retirez ensuite le manchon de charnière du haut de la porte.



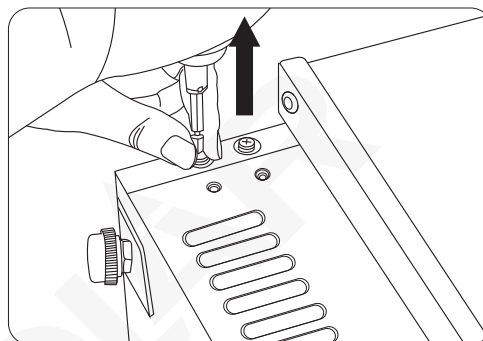
4. Inversez la porte et accrochez-la à la charnière supérieure gauche.



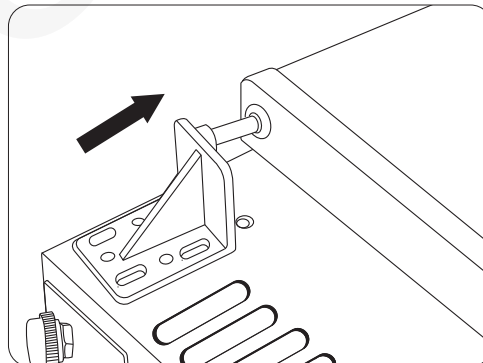
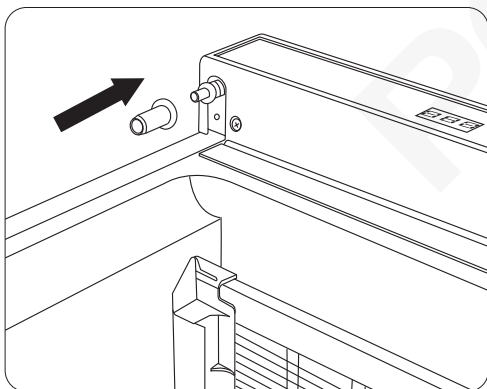
3. Retirez la charnière supérieure droite et installez-la sur le côté gauche. Ensuite, installez le manchon de charnière sur la charnière.



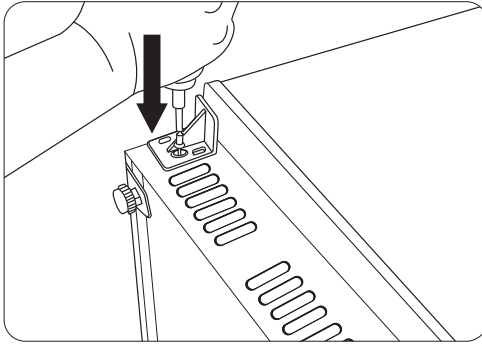
5. Enlever les vis pré-montées sur le côté inférieur gauche.



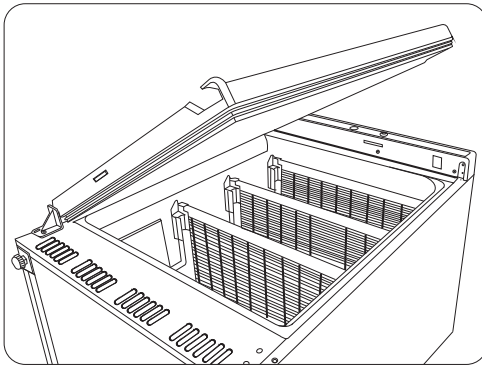
6. Installez la charnière inférieure droite précédemment retirée sur le côté gauche.



7. Fixez la charnière en place à l'aide des vis retirées précédemment.



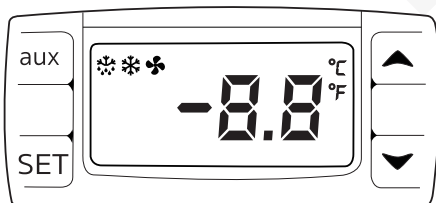
8. La poignée de la porte est maintenant installée sur le côté droit.



Fonctionnement

Panneau de configuration

Le panneau de commande est situé sur le devant de l'appareil.



Allumer

1. Fermez la porte de l'appareil.
2. Branchez l'appareil à une alimentation secteur.

Réglez la température de fonctionnement

1. Maintenez le bouton **SET** pendant 3 secondes. L'affichage clignote.
2. Appuyez sur les boutons ▲ ou ▼ pour afficher la température requise.
3. Appuyez sur le bouton **SET** pour mémoriser la température.

Dégivrage manuel

Appuyez et maintenez enfoncé le bouton de dégivrage «aux» pendant 2 secondes pour commencer un dégivrage manuel. La lumière éclaire de dégivrage.

Stockage des aliments

Suivez ces consignes pour profiter au mieux de votre appareil POLAR :

- Ne stockez des aliments dans l'appareil que lorsqu'il a atteint la bonne température de fonctionnement.
- Ne placez aucun aliment ou liquide chaud non couverts à l'intérieur de l'appareil.
- Autant que faire se peut, enveloppez ou couvrez les aliments.
- Veillez à ne pas obstruer les ventilateurs à l'intérieur de l'appareil.
- Evitez de laisser trop longtemps les portes ouvertes.

Verrouillage / déverrouillage des portes

- Les portes sont munies d'un verrou qui vous permet d'enfermer les aliments dans votre appareil POLAR.
- Le verrouillage / déverrouillage de la porte s'effectue à l'aide des clés fournies.

Nettoyage, entretien et maintenance



N'oubliez jamais d'éteindre et de débrancher l'appareil avant de procéder à son nettoyage.

- Nettoyez l'intérieur de l'appareil aussi souvent que possible.
- N'utilisez aucun produit de nettoyage abrasif. Ces produits peuvent laisser des résidus nocifs.
- Nettoyez le joint de la porte avec de l'eau savonneuse chaude.
- Veillez à le sécher en l'essuyant après nettoyage.

- Ne laissez pas l'eau de nettoyage s'écouler à travers l'orifice de vidange du bac d'évaporation.
- Soyez prudent quand vous nettoyez l'arrière de l'appareil. Les bords effilés peuvent couper.
- Toute réparation doit être confiée à un agent POLAR ou à un technicien qualifié.

Nettoyage du condensateur

Nettoyer régulièrement le condensateur peut prolonger la durée de vie de l'appareil.

Dépannage

En cas de dysfonctionnement de votre appareil POLAR, vérifiez les données du tableau ci-dessous avant d'appeler notre standard d'assistance ou votre revendeur POLAR.

| Dysfonctionnement | Cause probable | Intervention |
|---|--|---|
| Le voyant lumineux ne s'allume pas | L'appareil n'est pas allumé | Vérifier que l'appareil est bien branché et allumé |
| | La prise et le cordon sont endommagés | Appeler un agent POLAR ou un technicien qualifié |
| | Alimentation | Vérifier l'alimentation |
| L'appareil s'allume, mais la température est trop haute / basse | Excès de glace sur l'évaporateur | Dégivrer l'appareil |
| | Le condensateur est saturé de poussières | Nettoyer le condensateur |
| | Les portes sont mal fermées | Vérifier que les portes sont fermées et l'état des joints |
| | L'appareil est situé près d'une source de chaleur ou l'air ne circule pas librement vers le condensateur | Déplacer le réfrigérateur pour le placer à un endroit mieux adapté |
| | Température ambiante trop haute | Augmenter la ventilation ou placer l'appareil à un endroit plus frais |
| | Des aliments inadéquats sont stockés dans l'appareil | Retirer les aliments trop chauds ou les éventuelles obstructions au ventilateur |
| | L'appareil est surchargé | Réduire la quantité d'aliments stockés dans l'appareil |
| Fuite d'eau | L'appareil n'est pas de niveau | Régler les pieds à vis pour le mettre de niveau (le cas échéant) |
| | Evacuation bouchée | Déboucher l'évacuation |

| Dysfonctionnement | Cause probable | Intervention |
|---------------------------------------|--|---|
| Fuite d'eau | Circuit de vidange bouché | Nettoyer le plancher de l'appareil (le cas échéant) |
| | Bac à eau endommagé | Appeler un agent POLAR ou un technicien qualifié |
| | La cuvette de dégivrage déborde | Vider la cuvette de dégivrage (le cas échéant) |
| L'appareil fait beaucoup de bruit | Ecrou / vis desserrés | Vérifier et resserrer les écrous et vis |
| | La surface sur laquelle l'appareil a été posé n'est pas de niveau ou l'appareil n'est pas stable | Vérifier la position d'installation et la changer si nécessaire |
| L'ampoule du comptoir ne s'allume pas | Changer l'ampoule | Appeler un agent POLAR ou un technicien qualifié |

Spécifications techniques

| Modèle | Tension | Puis- sance | Courant | Plage de température | Capacité (litres) | Réfrigé- rant | Dimensions h x l x p mm | Poids (kg) |
|------------------------------|--------------|----------------|---------|-------------------------|----------------------|------------------|----------------------------|---------------|
| CD610 CD080 | 230V 50Hz | 150 | 1,0A | 2°C ~ 8°C | 150 | R600a (35g) | 850 x 600 x 600 | 44 |
| CD611 CD081 | 230V 50Hz | 150 | 1,0A | -10°C ~ -25°C | 140 | R600a (36g) | 850 x 600 x 600 | 44,5 |
| CD612 CD082 | 230V 50Hz | 185 | 1,5A | 2°C ~ 8°C | 400 | R600a (75g) | 1850 x 600 x 600 | 69 |
| CD613 CD083 | 230V 50Hz | 210 | 2A | -10°C ~ -25°C | 365 | R600a (90g) | 1850 x 600 x 600 | 71 |
| CD614 CD084 | 230V 50Hz | 185 | 1,5A | 2°C ~ 8°C | 600 | R600a (100g) | 1890 x 777 x 695 | 90 |
| CD615 CD085 | 230V 50Hz | 350 | 3,5A | -10°C ~ -25°C | 600 | R600a (130g) | 1890 x 777 x 695 | 94 |
| CD086 | 230V 50Hz | 150 | 1,0A | 2°C ~ 8°C | 150 | R600a (35g) | 850 x 600 x 600 | 47 |
| CD087 | 230V 50Hz | 185 | 1,5A | 2°C ~ 8°C | 400 | R600a (90g) | 1850 x 600 x 600 | 72 |
| CD088 | 230V 50Hz | 185 | 1,5A | 2°C ~ 8°C | 600 | R600a (115g) | 1890 x 777 x 695 | 93 |
| CB921 | 230V 50Hz | 500 | 2,35A | -10°C ~ -25°C | 365 | R290 (110g) | 1850 x 600 x 600 | 76 |
| GL185 | 230V 50Hz | 130 | 0,9A | 0°C tot 8°C | 522 | R600a (95g) | 1720 x 777 x 725 | 90 |

Raccordement électrique

La prise doit être reliée à la prise secteur qui convient.

Cet appareil est câblé comme suit :

- Fil conducteur (brun) à la borne marquée L
- Fil neutre (bleu) à la borne marquée N
- Fil de terre (vert / jaune) à la borne marquée E

Cet appareil doit être mis à la terre.



En cas de doute, consultez un électricien qualifié.

Les points d'isolation électrique doivent être libres de toute obstruction. En cas de débranchement requis en urgence, ils doivent être facilement accessibles.

Mise au rebut

Les règlements de l'UE exigent que les produits munis de réfrigérants soient mis au rebut par des entreprises spécialisées, équipées pour extraire et recycler les composants à gaz, métalliques et en plastique.

Adressez-vous à votre autorité chargée de la collecte des déchets pour ce qui concerne la mise au rebut de votre appareil. Même si rien n'oblige les autorités locales à se charger de la mise au rebut du matériel de réfrigération commerciale, elles pourraient être en mesure de vous conseiller sur les moyens disponibles localement pour s'en débarrasser.

Vous pouvez aussi appeler le standard d'assistance POLAR, qui saura vous renseigner sur les entreprises de prise en charge nationales au sein de l'UE.

Conformité

Le logo WEEE qui figure sur ce produit ou sa documentation indique qu'il ne doit pas être mis au rebut avec les ordures ménagères. Pour éviter qu'il ne présente un risque pour la santé humaine et / ou écologique, confiez la mise au rebut de ce produit à un site de recyclage agréé respectueux de l'environnement. Pour de plus amples détails sur la mise au rebut appropriée de ce produit, contactez le fournisseur du produit ou l'autorité responsable de l'enlèvement des ordures dans votre région.



Les pièces POLAR ont été soumises à des tests rigoureux pour pouvoir être déclarées conformes aux normes et spécifications réglementaires définies par les autorités internationales, indépendantes et fédérales.



Les produits POLAR ont été déclarés aptes à porter le symbole suivant :

Tous droits réservés. La production ou transmission, partielles ou intégrales, sous quelque forme que ce soit ou par n'importe quel moyen, tant électronique que mécanique, sous forme de photocopie, d'enregistrement ou autre de ce mode d'emploi sont interdites sans l'autorisation préalablement accordée par POLAR.

Nous nous efforçons, par tous les moyens dont nous disposons, de faire en sorte que les détails contenus dans le présent mode d'emploi soient corrects en date d'impression. Toutefois, POLAR se réserve le droit de changer les spécifications de ses produits sans préavis.

Sicherheitshinweise

- Auf eine flache, stabile Fläche stellen.
- Alle erforderlichen Montage- und Reparaturarbeiten sollten von Wartungspersonal oder einem qualifizierten Techniker durchgeführt werden. Keine Bauteile oder Bedienflächen von diesem Produkt entfernen.
- Für folgende Normen und Vorschriften sind die lokalen und nationalen Normen heranzuziehen:
 - Arbeitsschutzvorschriften
 - BS-EN-Verhaltenspraktiken
 - Brandschutzvorschriften
 - IEE-Anschlussvorschriften
 - Bauvorschriften
- Das Gerät NICHT mit einem Strahl-/Hochdruckreiniger reinigen.
- Das Gerät NICHT zum Aufbewahren von medizinischen Produkten verwenden.
- Sich NICHT auf den Schrank, die Schubladen oder die Türen draufstellen oder aufstützen.
- KEIN Öl oder Fett mit den Kunststoffteilen oder der Türdichtung in Kontakt kommen lassen. Bei Kontakt sofort reinigen.
- KEINE Produkte auf dem Gerät lagern.
- Nur zum Gebrauch in Gebäuden.
- Flaschen mit hochkonzentriertem Alkohol müssen dicht verschlossen und aufrecht stehend im Kühlschrank aufbewahrt werden.
- Das Gerät stets aufrecht tragen, lagern und transportieren. Zum Transport den Schrank an der Unterseite anfassen.
- Vor Reinigungsarbeiten stets zunächst das Gerät abschalten und den Netzstecker aus der Steckdose ziehen.
- Verpackungsmaterial außerhalb der Reichweite von Kindern aufbewahren und gemäß den lokalen Vorschriften entsorgen.
- Aus Sicherheitsgründen muss ein beschädigtes Stromkabel von einem POLAR-Mitarbeiter oder einem empfohlenen qualifizierten Elektriker erneuert werden.
- Kinder sollten beaufsichtigt werden um sicherzustellen, dass sie nicht mit dem Gerät spielen.

- Dieses Gerät sollte nur dann von Personen (einschließlich Kindern) mit reduzierten körperlichen, sensorischen oder geistigen Fähigkeiten, mangelnder Erfahrung oder Kenntnissen verwendet werden, wenn sie von einer für ihre Sicherheit verantwortlichen Person im Gebrauch des Geräts geschult wurden bzw. ständig beaufsichtigt werden.
- POLAR empfiehlt, dass dieses Gerät regelmäßig (wenigstens jährlich) von einem Fachmann überprüft wird. Die Überprüfung sollte beinhalten, ohne darauf beschränkt zu sein: Visuelle Überprüfung, Polaritätstest, Erdungskontinuität (Klasse-1-Geräte), Isolationskontinuität und Funktionalitätsprüfung.

Vorsicht Brandgefahr

- Keine explosiven Stoffe wie Sprühdosen mit brennbarem Treibmittel in diesem Gerät nicht aufbewahren.



Warnung: Halten Sie alle Lüftungsöffnungen frei. Das Gerät sollte nicht ohne geeignete Ventilation eingebaut werden.

- **Warnung:** Verwenden Sie keine mechanischen Vorrichtungen oder andere Mittel, um den Abtauvorgang zu beschleunigen, außer denen, die vom Hersteller empfohlen wurden.
- **Warnung:** Beschädigen Sie den Kältemittelkreislauf nicht.
- **Warnung:** Verwenden Sie keine elektrischen Geräte innerhalb der Ablagefächer des Geräts, sofern sie nicht vom Hersteller empfohlen wurden.

Produktbeschreibung

| | |
|--|--|
| CD610 - Kühlschrank (150 Liter) | CD611 - Gefrierschrank (140 Liter) |
| CD612 - Kühlschrank (400 Liter) | CD613 - Gefrierschrank (365 Liter) |
| CD614 - Kühlschrank (600 Liter) | CD615 - Gefrierschrank (600 Liter) |
| CD086 - Glastürkühlschrank (150 Liter) | CD087 - Display Kühlschrank (400 Liter) |
| CD080 - Edelstahl Kühlschrank (150 Liter)Edelstahl | CD081 - Edelstahl Gefrierschrank (140 Liter) |
| CD082 - Edelstahl Kühlschrank (400 Liter) Edelstahl | CD083 - Edelstahl Gefrierschrank (365 Liter) |
| CD084 - Edelstahl Kühlschrank (600 Liter) Edelstahl | CD085 - Edelstahl Gefrierschrank (600 Liter) |
| CD088 - Display Kühlschrank (600 Liter) | CB921 - Display Gefrierschrank (365 Liter) |
| GL185 - Kühlschrank in Pastiserieabmessung (522 Liter) | |

Einführung

Bitte nehmen Sie sich einige Minuten Zeit und lesen Sie dieses Handbuch sorgfältig durch. Nur bei korrekter Wartung und vorschriftsgemäßem Betrieb kann Ihr POLAR-Produkt optimale Leistung erzielen.

Lieferumfang

Folgende Teile befinden sich in der Verpackung:

- POLAR Kühl - oder Gefriergerät
- Roste - Nur bei Kühlschränken
CD610/CD080/CD086x 3
CD612/CD082/CD087 x 4
CD614 /CD084/CD088x 4
- Tablettführungen - Nur im Kühlschrank in
Patisserieabmessung GL185 x 12
- Schlüssel x 2
- Abstandhalter x 2
- Bedienungsanleitung

POLAR ist stolz auf die hochwertige Qualität seiner Produkte und seinen erstklassigen Service. Wir stellen sicher, dass alle gelieferten Produkte zum Zeitpunkt der Verpackung voll funktionsfähig sind und sich in einwandfreiem Zustand befinden.

Sollten Sie Transportschäden feststellen, wenden Sie sich bitte unverzüglich an Ihren POLAR-Händler.

Montage

Hinweis: Eine Halterung wird verwendet, um die Tür während des Transports zu stützen. Nach Erhalt entfernen Sie bitte die Halterung.



Hinweis: Wenn das Gerät nicht aufrecht transportiert oder gelagert wurde, muss es vor Inbetriebnahme rund 12 Stunden aufrecht aufgestellt werden. Im Zweifelsfall lassen Sie es aufrecht stehen.

1. Das Gerät aus der Verpackung nehmen. Darauf achten, dass die gesamte Plastikfolie und alle Beschichtungen von sämtlichen Flächen entfernt wurden.
2. Um die Leistung und Langlebigkeit zu optimieren, stellen Sie sicher, dass zwischen dem Gerät und den Wänden und anderen Objekten ein Mindestabstand von 2,5 cm eingehalten wird, wobei oben ein Mindestabstand von 5 cm eingehalten wird. **NIEMALS IN DER NÄHE EINER WÄRMEQUELLE.**



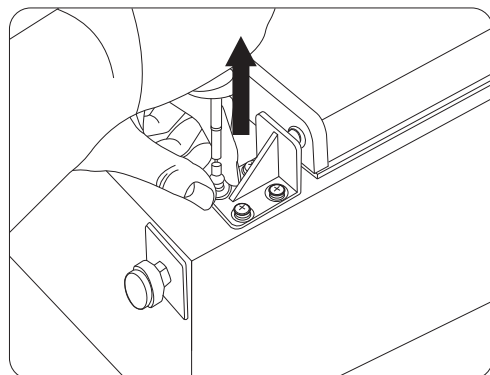
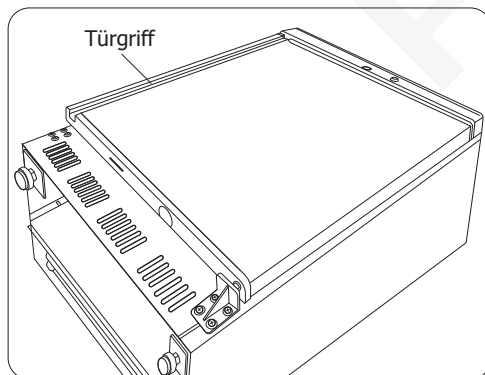
Hinweis: Vor dem ersten Einsatz des Geräts die Ablagen und das Geräteinnere mit einer Seifenlauge reinigen. Das Gerät wird standardmäßig mit Füßen geliefert. Rollen können jedoch optional ab Seriennummer: 8124199-UK / 8128873-EU geliefert werden.

Die Öffnungsrichtung der Tür ändern (Ohne Modell CB921/CD086/CD087/CD088)

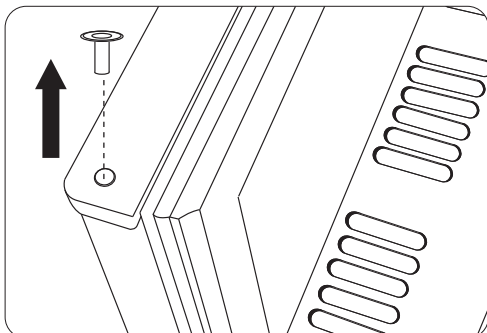
Je nach Standort des Gerätes kann es notwendig sein, die Richtung zu ändern, in der die Tür öffnet, indem man die Seite des Türgriffs wechselt.

Die Öffnungsrichtung der Tür ändern:

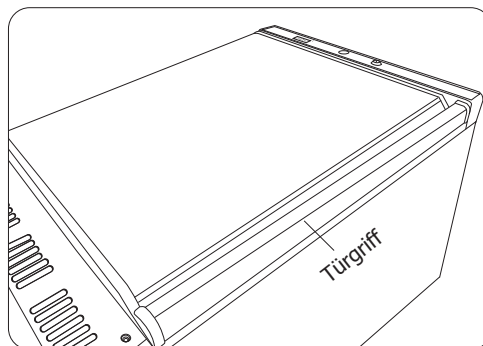
1. Der Türgriff ist auf der linken Seite. Demontieren Sie das rechte untere Scharnier.



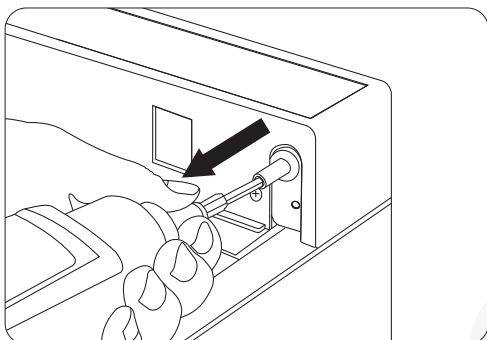
2. Die Tür vom rechten oberen Scharnier entfernen. Dann die Scharnierhülse von der Oberkante der Tür entfernen .



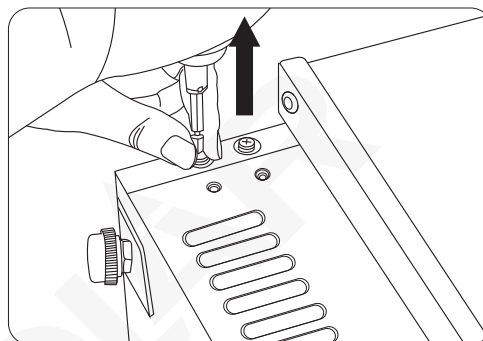
4. Die Tür umdrehen und auf das linke obere Scharnier hängen.



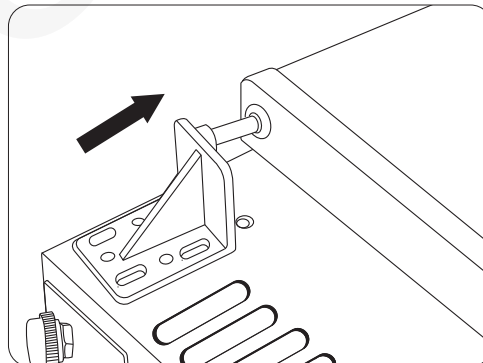
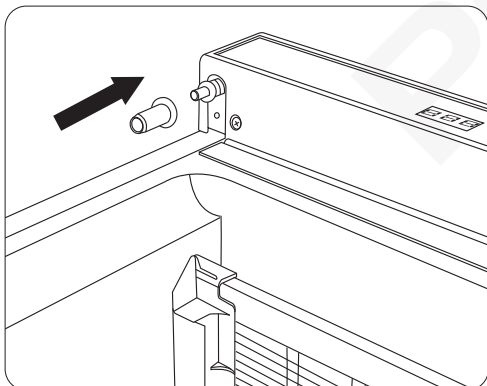
3. Entfernen Sie das rechte obere Scharnier und montieren Sie es auf der linken Seite. Anschließend die Scharnier Hülse auf das Scharnier installieren.



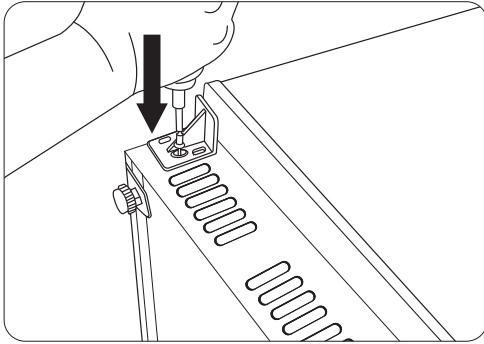
5. Entfernen Sie die vormontierten Schrauben auf der linken unteren Seite.



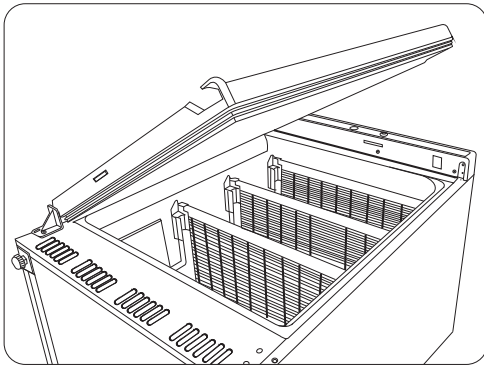
6. Montieren Sie das zuvor entfernte rechte untere Scharnier auf der linken Seite.



7. Mit den zuvor entfernten Schrauben das Scharnier befestigen.



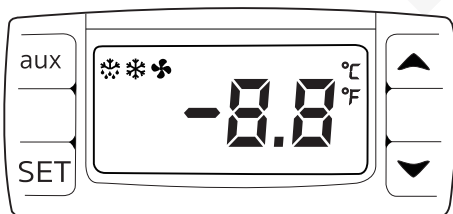
8. Jetzt ist der Türgriff auf der rechten Seite montiert.



Betrieb

Bedienfeld

Das Bedienfeld befindet sich vorne am Gerät.



Einschalten

1. Schließen Sie die Tür des Gerätes.
2. Schließen Sie das Gerät an eine Netzstromversorgung.

Stellen Sie die Betriebstemperatur ein

1. Halten Sie die **SET**-Taste für 3 Sekunden gedrückt. Die Anzeige blinkt.
2. Drücken Sie die Taste ▲ oder ▼, um die gewünschte Temperatur einzustellen.
3. Drücken Sie die Taste **SET**, um die Temperatur zu speichern.

Manuelle Abtaugung

Halten Sie die Taste „aux“ für 2 Sekunden gedrückt, um eine manuelle Abtaugung starten. Die Lampe zur Abtaugung leuchtet auf.

Lagerung von Nahrungsmitteln

Sie erzielen die besten Ergebnisse mit Ihrem POLAR-Gerät, wenn Sie folgende Anweisungen beachten:

- Nahrungsmittel dürfen erst nach Erreichen der korrekten Betriebstemperatur im Gerät gelagert werden.
- Keine unbedeckten heißen Nahrungsmittel oder Flüssigkeiten in das Gerät legen oder stellen.
- Nahrungsmittel nach Möglichkeit einwickeln oder bedecken.
- Nicht die Lüfter im Gerät versperren.
- Türen nicht über längere Zeit geöffnet lassen.

Ab-/Aufschließen der Türen

- Um sicherzustellen, dass Nahrungsmittel in Ihrem POLAR-Gerät sicher aufbewahrt werden, sind die Türen mit einem Schloss versehen.
- Mit den Schlüsseln im Lieferumfang können Sie die Tür ab-/aufschließen.

Reinigung, Pflege und Wartung



Vor Reinigungsarbeiten stets zunächst das Gerät abschalten und den Netzstecker aus der Steckdose ziehen.

- Den Schrank möglichst häufig innen reinigen.
- Keine Scheuermittel verwenden, da diese schädliche Rückstände hinterlassen können.
- Die Türdichtung mit warmem Seifenwasser reinigen.
- Nach dem Reinigen stets mit einem Tuch trocknen.
- Zur Reinigung verwendetes Wasser darf nicht durch die Ablauföffnung in die Auffangschale gelangen.
- Vorsicht beim Reinigen der Geräterückseite. Scharfe Kanten können zu Verletzungen führen.
- Erforderliche Reparaturen sollten von einem POLAR-Mitarbeiter oder einem qualifizierten Techniker ausgeführt werden.

Reinigen des Kondensators

Regelmäßiges Reinigen des Kondensators kann die Lebensdauer des Geräts verlängern.

Störungssuche

Bei einem Defekt Ihres POLAR-Geräts konsultieren Sie bitte zunächst folgende Tabelle, bevor Sie die Helpline oder Ihren POLAR-Händler anrufen.

| Störung | Vermutliche Ursache | Lösung |
|---|--|--|
| Das Gerät funktioniert nicht | Das Gerät ist nicht eingeschaltet | Prüfen, ob der Netzstecker in die Steckdose gesteckt wurde und das Gerät eingeschaltet ist |
| | Stecker und Kabel sind beschädigt | POLAR-Mitarbeiter oder qualifizierten Techniker anrufen |
| | Stromzufuhr | Netzstrom prüfen |
| Das Gerät lässt sich einschalten, aber die Temperatur ist zu hoch/niedrig | Zu viel Eis auf dem Verdampfer | Das Gerät abtauen |
| | Kondensator verstaubt | Reinigen Sie den Kondensator |
| | Türen sind nicht richtig geschlossen | Prüfen, ob die Türen geschlossen und die Dichtungen intakt sind |
| | Gerät befindet sich in der Nähe einer Wärmequelle, oder der Luftstrom zum Kondensator ist unterbrochen | Den Kühlschrank an einem geeigneteren Ort aufstellen |
| | Umgebungstemperatur ist zu hoch | Belüftung intensivieren oder Gerät an einem kühleren Ort aufstellen |
| | Ungeeignete Nahrungsmittel werden im Gerät aufbewahrt | Einige heiße Nahrungsmittel herausnehmen oder Produkte, die den Lüfter blockieren, entfernen |
| | Gerät ist überlastet | Weniger Nahrungsmittel im Gerät lagern |
| Aus dem Gerät läuft Wasser aus | Das Gerät steht nicht gerade | Die Schraubfüße so regulieren, dass das Gerät eben steht (sofern zutreffend) |
| | Der Ablauf ist verstopft | Den Ablauf säubern |

| Störung | Vermutliche Ursache | Lösung |
|---------------------------------|--|--|
| Aus dem Gerät läuft Wasser aus | Wasser kann nicht ablaufen | Den Boden des Geräts von Fremdstoffen reinigen (sofern zutreffend) |
| | Der Wasserbehälter ist beschädigt | POLAR-Mitarbeiter oder qualifizierten Techniker anrufen |
| | Die Tropfschale fließt über | Die Tropfschale leeren (sofern zutreffend) |
| Das Gerät ist ungewöhnlich laut | Muttern und/oder Schrauben sind lose | Alle Muttern und Schrauben überprüfen und anziehen |
| | Das Gerät steht nicht eben oder stabil | Position überprüfen und bei Bedarf ändern |
| Die Anzeigelampe leuchtet nicht | Lampe ersetzen | POLAR-Mitarbeiter oder qualifizierten Techniker anrufen |

Technische Spezifikationen

| Modell | Spannung | Leistung | Stromstärke | Temperaturbereich | Füllmenge (Liter) | Kühlmittel | Abmessungen h x b x t mm | Gewicht (kg) |
|------------------------------|--------------|----------|-------------|--------------------|-------------------|-----------------|--------------------------|--------------|
| CD610 CD080 | 230V 50Hz | 150 | 1,0A | 2°C bis 8°C | 150 | R600a (35g) | 850 x 600 x 600 | 44 |
| CD611 CD081 | 230V 50Hz | 150 | 1,0A | -10°C bis -25°C | 140 | R600a (36g) | 850 x 600 x 600 | 44,5 |
| CD612 CD082 | 230V 50Hz | 185 | 1,5A | 2°C bis 8°C | 400 | R600a (75g) | 1850 x 600 x 600 | 69 |
| CD613 CD083 | 230V 50Hz | 210 | 2A | -10°C bis -25°C | 365 | R600a (90g) | 1850 x 600 x 600 | 71 |
| CD614 CD084 | 230V 50Hz | 185 | 1,5A | 2°C bis 8°C | 600 | R600a (100g) | 1890 x 777 x 695 | 90 |
| CD615 CD085 | 230V 50Hz | 350 | 3,5A | -10°C bis -25°C | 600 | R600a (130g) | 1890 x 777 x 695 | 94 |
| CD086 | 230V 50Hz | 150 | 1,0A | 2°C bis 8°C | 150 | R600a (35g) | 850 x 600 x 600 | 47 |
| CD087 | 230V 50Hz | 185 | 1,5A | 2°C bis 8°C | 400 | R600a (90g) | 1850 x 600 x 600 | 72 |
| CD088 | 230V 50Hz | 185 | 1,5A | 2°C bis 8°C | 600 | R600a (115g) | 1890 x 777 x 695 | 93 |
| CB921 | 230V 50Hz | 500 | 2,35A | -10°C bis -25°C | 365 | R290 (110g) | 1850 x 600 x 600 | 76 |
| GL185 | 230V 50Hz | 130 | 0,9A | 0°C tot 8°C | 522 | R600a (95g) | 1720 x 777 x 725 | 90 |

Elektroanschlüsse

Der Stecker muss in eine geeignete Steckdose gesteckt werden.

Das Gerät ist wie folgt verdrahtet:

- Stromführender Leiter (braun) an Klemme L
- Neutraleiter (blau) an Klemme N
- Erdleiter (grün/gelb) an Klemme E



Dieses Gerät muss geerdet sein.

Bei Fragen wenden Sie sich bitte an einen qualifizierten Elektriker.

Elektroisolierpunkte dürfen nicht blockiert werden. Bei einem Not-Stopp müssen diese Punkte jederzeit sofort zugänglich sein.

Entsorgung

Gemäß EU-Vorschriften müssen Kühlprodukte von Fachunternehmen entsorgt werden, die alle Gase, Metall- und Kunststoffbauteile entfernen oder recyceln.

Ihre Kommunalverwaltung kann Sie über die Entsorgung Ihres Geräts informieren. Kommunalbehörden sind nicht verpflichtet, gewerbliche Kühlgeräte zu entsorgen. Sie können Sie jedoch über lokale Annahmestellen informieren, die diese Geräte entsorgen.

Oder rufen Sie die POLAR-Helpline an. Wir verfügen über eine Liste nationaler Entsorger in den EU Staaten.

Konformität

Das WEEE-Logo an diesem Produkt oder in der Dokumentation weist darauf hin, dass das Produkt nicht mit dem normalen Hausmüll entsorgt werden darf. Um potenziellen Gesundheits- bzw. Umweltschäden vorzubeugen, muss das Produkt durch einen zugelassenen und umweltverträglichen Recyclingprozess entsorgt werden. Ausführliche Informationen zur korrekten Entsorgung dieses Produkts erhalten Sie von Ihrem Produktlieferanten oder der für die Müllentsorgung in Ihrer Region zuständige Behörde.



Alle POLAR-Produkte werden strengen Tests unterzogen, um die Einhaltung von Normen und Spezifikationen internationaler und nationaler Behörden und unabhängiger Organisationen zu gewährleisten.

POLAR-Produkte dürfen durch folgendes Symbol gekennzeichnet werden:



Alle Rechte vorbehalten. Diese Anleitung darf ohne vorherige schriftliche Genehmigung von POLAR weder ganz noch teilweise in irgendeiner Form oder auf irgendeinem Wege - einschließlich elektronischer, mechanischer Verfahren, durch Fotokopieren, Aufnahme oder andere Verfahren - vervielfältigt oder übertragen werden.

Es werden alle Anstrengungen unternommen um sicherzustellen, dass alle Angaben bei der Drucklegung korrekt sind. POLAR behält sich jedoch das Recht vor, Spezifikationen ohne Vorankündigung zu ändern.

Suggerimenti per la sicurezza

- Posizionare su una superficie piana e stabile.
- L'installazione e le eventuali riparazioni devono venire eseguite da un agente/tecnico qualificato. Non rimuovere i componenti o i pannelli di accesso dell'apparecchio.
- Verificare la conformità alle normative locali e nazionali di quanto segue:
 - Normativa antinfortunistica sul lavoro
 - Linee guida BS EN
 - Precauzioni antincendio
 - Normativa IEE sui circuiti elettrici
 - Norme di installazione
- NON utilizzare sistemi di lavaggio a getto o pressione per pulire l'apparecchio.
- NON utilizzare l'apparecchio per conservare presidi medico-sanitari.
- NON mettere a contatto olio o grassi con i componenti in plastica o con la guarnizione dei portelli.
- Pulire immediatamente in caso di contatto.
- Non conservare prodotti sopra l'apparecchio.
- Per esclusivo uso in ambienti chiusi.
- Le bottiglie contenenti una elevata percentuale di alcool devono venire sigillate e posizionate verticalmente nel frigorifero.
- Trasportare, immagazzinare e movimentare l'apparecchio sempre in posizione verticale e spostarlo mantenendone la base.
- Spegner e disconnettere l'alimentazione dell'unità prima di pulirla.
- Tenere lontano l'imballaggio dalla portata dei bambini. Smaltire l'imballaggio in conformità alle normative locali.
- Se danneggiato, il cavo di alimentazione deve venire sostituito da un agente POLAR o da un tecnico qualificato al fine di prevenire eventuali rischi.
- Assicurarsi che i bambini non giochino con l'apparecchio.

- L'apparecchio non è destinato a essere utilizzato da persone (inclusi i bambini) con ridotte capacità fisiche, sensoriali o mentali, o prive della necessaria esperienza e conoscenza dell'apparecchio, che non abbiano ricevuto supervisione o istruzioni relative all'utilizzo dell'apparecchio dalle persone responsabili della loro sicurezza.
- POLAR raccomanda che questo apparecchio venga periodicamente testato (almeno una volta all'anno) da una persona competente. I test dovrebbero includere, ma non solo: ispezione visiva, test di polarità, continuità di terra, continuità di isolamento e test funzionale.



Attenzione Rischio di incendio

- Non conservare sostanze esplosive, come bombolette spray con propellente infiammabile in questo apparecchio.



Attenzione: Tenere libere tutte le aperture di ventilazione. L'unità non deve essere installata senza una ventilazione adeguata.

- **Attenzione:** non utilizzare dispositivi meccanici o altri mezzi per accelerare il processo di sbrinamento, diversa dal fabbricante raccomandato Quelli da.
- **Attenzione:** Non danneggiare il circuito refrigerante.
- **Attenzione:** Non usare apparecchi elettrici all'interno degli scomparti per la conservazione degli alimenti, a meno che siano del tipo consigliato dal produttore.

Descrizione del prodotti

| | |
|---|---|
| CD610 - Frigorifero da 150 litri | CD611 - Congelatore da 140 litri |
| CD612 - Frigorifero da 400 litri | CD613 - Congelatore da 365 litri |
| CD614 - Frigorifero da 600 litri | CD615 - Congelatore da 600 litri |
| CD086 - Frigorifero con porta di vetro da 150 litri | CD087 - Frigorifero con porta in vetro da 400 litri |
| CD080 - Frigorifero da 150 litri (acciaio inossidabile) | CD081 - Congelatore da 140 litri (acciaio inossidabile) |
| CD082 - Frigorifero da 400 litri (acciaio inossidabile) | CD083 - Congelatore da 365 litri (acciaio inossidabile) |
| CD084 - Frigorifero da 600 litri (acciaio inossidabile) | CD085 - Congelatore da 600 litri (acciaio inossidabile) |
| CD088 - Frigorifero con porta di vetro da 600 litri | Congelatore con porta in vetro da 365 litri |
| GL185 - Frigorifero per panetteria da 522 litri | |

Introduzione

Leggere con attenzione il presente manuale. La manutenzione e l'utilizzo corretti di questo apparecchio consentiranno di ottenere le massime prestazioni da questo prodotto POLAR.

Contenuto dell'imbballaggio

L'imbballaggio contiene quanto segue:

- Frigorifero o congelatore POLAR
- Ripiani - Solo frigorifero
CD610/CD080/CD086x 3
CD612/CD082/CD087 x 4
CD614/CD084/CD088 x 4
- Guide vassoio - solo frigorifero per panetteria
GL185 x 12
- 2 chiavi
- 2 distanziatori
- Manuale di istruzioni

POLAR garantisce una qualità e un servizio impeccabili e assicura che al momento dell'imbballaggio tutti i componenti forniti sono integralmente funzionanti e privi di difetti. Nel caso siano rilevati danni risultanti dal trasporto del prodotto, rivolgersi immediatamente al rivenditore POLAR locale.

Installazione

Nota: una staffa viene utilizzata per sostenere la porta durante il trasporto. Alla ricezione rimuovere la staffa.



Nota: se l'apparecchio è stato immagazzinato o spostato in posizione non verticale, lasciarlo in posizione verticale per circa 12 ore prima di metterlo in funzione. In caso di dubbio, osservare comunque questa precauzione.

1. Rimuovere l'apparecchio dall'imbballaggio. Assicurarsi che la pellicola protettiva e rivestimenti in plastica siano interamente rimossi da tutte le superfici.
2. Per ottimizzare le prestazioni e la longevità, assicurarsi che sia mantenuta una distanza minima di 2,5 cm tra l'unità e le pareti e altri oggetti, con una distanza minima di 5 cm nella parte superiore. **NON POSIZIONARE MAI VICINO A UNA FONTE DI CALORE.**



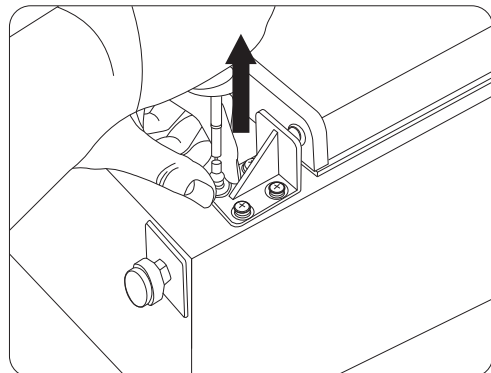
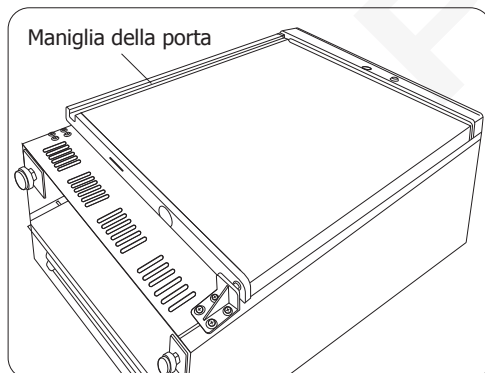
Nota: prima di utilizzare l'apparecchio per la prima volta, pulire i ripiani e l'interno dell'apparecchio con acqua saponata. L'apparecchio è dotato di piedini di default. Tuttavia, le ruote possono essere fornite come opzione dal numero di serie: 8124199-UK / 8128873-EU in poi.

Inversione della porta (Escluso il modello CB921/CD086/CD087/CD088)

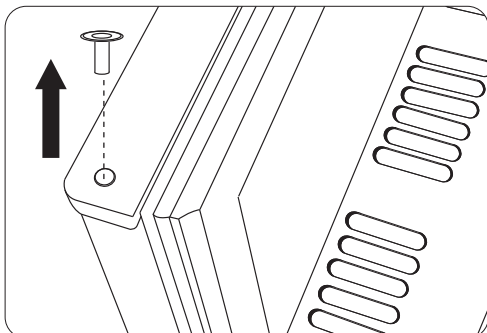
A seconda della posizione dell'elettrodomestico, potrebbe essere necessario modificare la direzione in cui la porta si apre cambiando il lato della maniglia.

Per invertire la maniglia della porta:

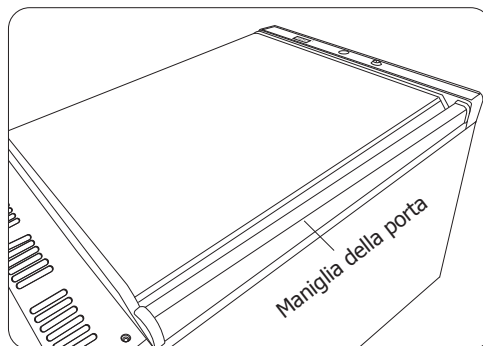
1. La maniglia della porta si trova sul lato sinistro. Smontare la cerniera inferiore destra.



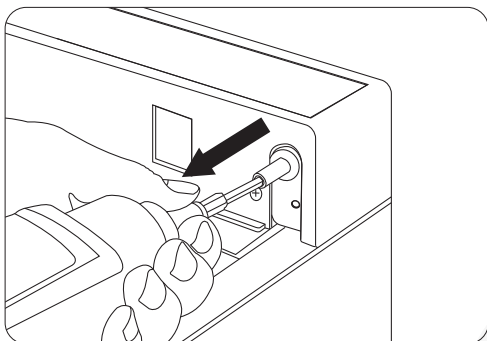
2. Rimuovere la porta dalla cerniera superiore destra. Quindi rimuovere il manicotto della cerniera dalla parte superiore della porta.



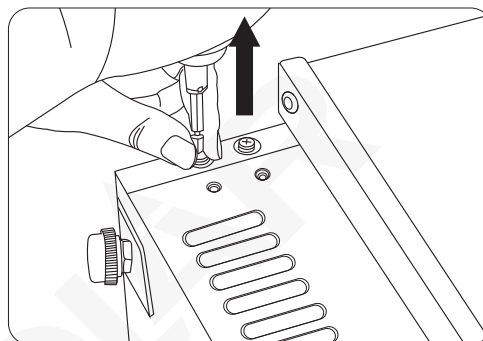
4. Invertire la porta e inserirla nella cerniera superiore sinistra.



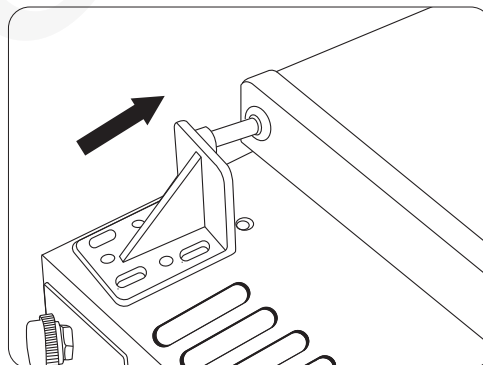
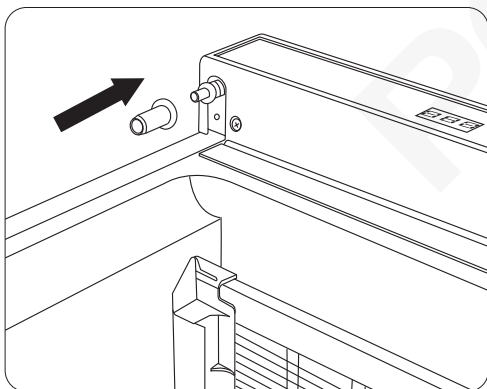
3. Rimuovere la cerniera superiore destra e installarla sul lato sinistro. Successivamente, installare il manicotto sulla cerniera.



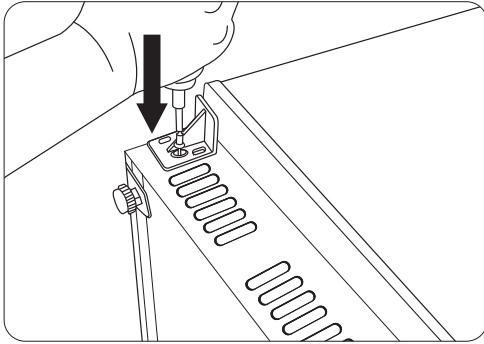
5. Rimuovere le viti premontate sul lato inferiore sinistro.



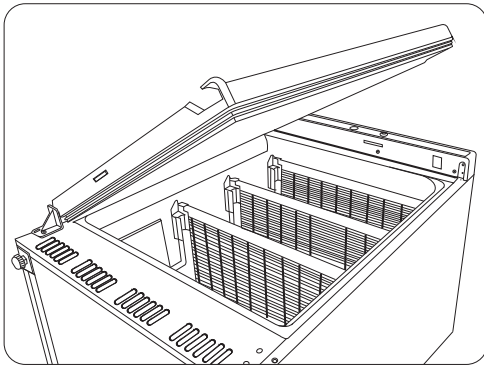
6. Installare la cerniera inferiore destra precedentemente rimossa sul lato sinistro.



7. Fissare la cerniera in posizione usando le viti precedentemente rimosse.



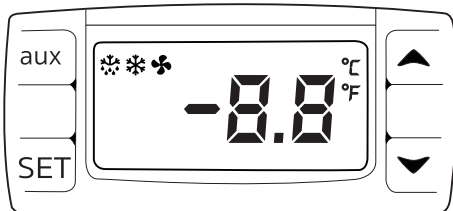
8. Ora la maniglia della porta si trova sul lato destro.



Funzionamento

Pannello di controllo

Il pannello di controllo è posizionato sul lato anteriore dell'apparecchio.



Accensione

1. Chiudere la porta dell'apparecchio.
2. Collegare l'apparecchio ad una rete elettrica.

Impostazione della temperatura di funzionamento

1. Tenere premuto il pulsante **SET** per 3 secondi. Il display lampeggia.
2. Premere i pulsanti ▲ o ▼ per visualizzare la temperatura richiesta.
3. Premere il pulsante **SET** per memorizzare la temperatura.

Sbrinamento manuale

Premere senza rilasciare il pulsante "aux" per 2 secondi per avviare lo sbrinamento. La spia di sbrinamento si accende.

Conservazione dei cibi

Per ottenere i migliori risultati dall'apparecchio POLAR, osservare le seguenti istruzioni:

- Conservare i cibi nell'apparecchio solo quando esso ha raggiunto la corretta temperatura di esercizio.
- Non conservare cibi o liquidi bollenti scoperti all'interno dell'apparecchio.
- Se possibile, avvolgere o coprire i cibi.
- Non ostruire le ventole all'interno dell'apparecchio.
- Evitare di aprire le porte per periodi prolungati di tempo.

Blocco/sblocco delle porte

- Una serratura è montata sulle porte per assicurare che i cibi siano conservati al sicuro all'interno dell'apparecchio POLAR.
- Utilizzare le chiavi fornite per bloccare/sbloccare la porta.

Pulizia e manutenzione



Prima di eseguire la pulizia, spegnere e scollegare l'alimentazione.

- Pulire l'interno dell'apparecchio quanto più spesso possibile.
- Non utilizzare detergenti abrasivi in quanto possono lasciare residui nocivi.
- Pulire la tenuta della porta con acqua calda saponata.
- Asciugare sempre dopo la pulizia.
- Non permettere all'acqua utilizzata per la pulizia di penetrare attraverso il foro di scarico nella vasca di raccolta dell'acqua di sbrinamento.
- Prestare attenzione durante la pulizia della parte posteriore dell'apparecchio. Gli attrezzi con bordi taglienti possono provocare tagli.
- Le riparazioni devono essere eseguite da un tecnico qualificato o da un agente POLAR.

Pulizia del condensatore

La pulizia periodica del condensatore consente di prolungare il ciclo di vita dell'apparecchio.

Risoluzione dei problemi

Se dovessero verificarsi guasti dell'apparecchio POLAR, controllare la tabella seguente prima di contattare la helpline telefonica o il rivenditore POLAR.

| Guasto | Probabile causa | Azione |
|--|---|--|
| L'apparecchio non funziona | L'apparecchio non è acceso | Controllare che l'apparecchio sia correttamente collegato e acceso |
| | La presa e il cavo sono danneggiati | Rivolgersi a un tecnico qualificato o a un agente POLAR |
| | Alimentazione | Controllare l'alimentazione |
| L'apparecchi si accende ma la temperatura è troppo alta o troppo bassa | Quantità eccessiva di ghiaccio nell'evaporatore | Sbrinare l'apparecchio |
| | Il condensatore è bloccato dalla polvere | Pulire il condensatore |
| | I portelli non sono chiusi in maniera appropriata | Controllare che i portelli siano chiusi e che le guarnizioni di tenuta non siano danneggiate |
| | L'apparecchio è posizionato in prossimità di una sorgente di calore oppure il flusso di aria al condensatore è interrotto | Spostare il frigorifero in una posizione più appropriata |
| | La temperatura ambientale è troppo alta | Aumentare la ventilazione oppure spostare l'apparecchio in una posizione più fresca |
| | Sono stati conservati nell'apparecchio cibi non appropriati | Rimuovere i cibi eccessivamente caldi o le ostruzioni della ventola |
| | L'apparecchio è sovraccarico | Ridurre la quantità dei cibi presenti nell'apparecchio |
| L'apparecchio perde acqua | L'apparecchio non è in posizione piana | Regolare i piedi al fine di mantenere in piano l'apparecchio (se pertinente) |
| | La bocca di scarico è bloccata | Pulire la bocca di scarico |

| Guasto | Probabile causa | Azione |
|---|--|---|
| L'apparecchio perde acqua | Il movimento dell'acqua verso lo scarico è ostruito | Pulire il pavimento dell'apparecchio (se pertinente) |
| | Il contenitore dell'acqua è danneggiato | Rivolgersi a un tecnico qualificato o a un agente POLAR |
| | La vaschetta di raccolta dell'acqua di sbrinamento è troppo piena | Svuotare la vaschetta di raccolta dell'acqua di sbrinamento (se pertinente) |
| L'apparecchio presenta una rumorosità eccessiva | Dadi o viti allentati | Controllare e serrare tutti i dadi e le viti |
| | L'apparecchio non è stato installato in una posizione in piano o stabile | Controllare la posizione di installazione e modificarla se necessario |
| La lampadina della vetrina non si accende | Sostituire la lampadina | Rivolgersi a un tecnico qualificato o a un agente POLAR |

Specifiche tecniche

| Modello | Tensione | Alimentazio | Corrente | Intervallo di temperatura | Capacità (litri) | Refrigerante | Dimensioni h x l x p mm | Peso (Kg) |
|------------------------|-----------|-------------|----------|---------------------------|------------------|--------------|-------------------------|-----------|
| CD610 CD080 | 230V 50Hz | 150 | 1,0A | Da 2°C a 8°C | 150 | R600a (35g) | 850 x 600 x 600 | 44 |
| CD611 CD081 | 230V 50Hz | 150 | 1,0A | Da -10°C a -25°C | 140 | R600a (36g) | 850 x 600 x 600 | 44,5 |
| CD612 CD082 | 230V 50Hz | 185 | 1,5A | Da 2°C a 8°C | 400 | R600a (75g) | 1850 x 600 x 600 | 69 |
| CD613 CD083 | 230V 50Hz | 210 | 2A | Da -10°C a -25°C | 365 | R600a (90g) | 1850 x 600 x 600 | 71 |
| CD614 CD084 | 230V 50Hz | 185 | 1,5A | Da 2°C a 8°C | 600 | R600a (100g) | 1890 x 777 x 695 | 90 |
| CD615 CD085 | 230V 50Hz | 350 | 3,5A | Da -10°C a -25°C | 600 | R600a (130g) | 1890 x 777 x 695 | 94 |
| CD086 | 230V 50Hz | 150 | 1,0A | Da 2°C a 8°C | 150 | R600a (35g) | 850 x 600 x 600 | 47 |
| CD087 | 230V 50Hz | 185 | 1,5A | Da 2°C a 8°C | 400 | R600a (90g) | 1850 x 600 x 600 | 72 |
| CD088 | 230V 50Hz | 185 | 1,5A | Da 2°C a 8°C | 600 | R600a (115g) | 1890 x 777 x 695 | 93 |
| CB921 | 230V 50Hz | 500 | 2,35A | Da -10°C a -25°C | 365 | R290 (110g) | 1850 x 600 x 600 | 76 |
| GL185 | 230V 50Hz | 130 | 0,9A | 0°C tot 8°C | 522 | R600a (95g) | 1720 x 777 x 725 | 90 |

Cablaggi elettrici

La spina deve venire collegata a una presa di rete appropriata.

L'apparecchio ha i seguenti cablaggi:

- Filo sotto tensione (colore marrone) a terminale L
- Filo del neutro (colore blu) a terminale N
- Filo di terra (colore verde/giallo) a terminale E

Questa apparecchiatura deve essere collegata a terra.



In caso di dubbi, consultare un elettricista qualificato.

I punti di isolamento elettrico devono essere liberi da ostruzioni. In caso di emergenza, i punti devono essere facilmente raggiungibili qualora sia necessario scollegarli.

Smaltimento

Le normative UE prevedono che lo smaltimento dei prodotti di refrigerazione sia eseguito da aziende specializzate nella rimozione o nel riciclaggio di tutti i gas e dei componenti in metallo e plastica.

Rivolgersi all'ente locale incaricato per informazioni sullo smaltimento di questo apparecchio. Gli enti locali non hanno l'obbligo di procedere allo smaltimento di apparecchi di refrigerazione commerciali ma sono in grado di fornire suggerimenti sulla modalità di smaltimento di tali apparecchi.

In alternativa, chiamare la helpline telefonica di POLAR per ricevere informazioni dettagliate sulle aziende di smaltimento nella UE.

Conformità

Il logo WEEE riportato su questo prodotto o sulla relativa documentazione indica che il prodotto non può essere smaltito come normale rifiuto domestico. Per evitare possibili danni alla salute e/o all'ambiente, il prodotto deve venire smaltito utilizzando una procedura di riciclaggio approvata e sicura per l'ambiente. Per ulteriori informazioni su come smaltire in maniera corretta questo prodotto, contattare il fornitore del prodotto o l'ente locale responsabile per lo smaltimento dei rifiuti.



I componenti POLAR sono stati sottoposti a un rigoroso collaudo ai fini della conformità agli standard e alle specifiche normative previste dalle autorità internazionali, indipendenti e federali.

I prodotti POLAR sono autorizzati a esporre il seguente simbolo:

Tutti i diritti riservati. È vietata la riproduzione o la trasmissione in alcuna forma, elettronica, meccanica, mediante fotocopiatura o altro sistema di riproduzione, di qualsiasi parte delle presenti istruzioni senza la previa autorizzazione scritta di POLAR.

Le informazioni contenute sono corrette e accurate al momento della stampa, tuttavia POLAR si riserva il diritto di modificare le specifiche senza preavviso.

Consejos de Seguridad

- Colóquelo sobre una superficie plana y estable.
- Un agente del servicio técnico cualificado debería llevar a cabo la instalación y cualquier reparación que se precise. No retire ningún componente ni panel de servicio de este producto.
- Consulte las Normas Locales y Nacionales correspondientes a lo siguiente:
 - Legislación de Seguridad e Higiene en el Trabajo
 - Códigos de Práctica BS EN
 - Precauciones contra Incendios
 - Normativas de Cableado de la IEE
 - Normativas de Construcción
- No utilice dispositivos de lavado de chorro a presión para limpiar el aparato.
- NO utilice este aparato para almacenar existencias médicas.
- NO deje que el aceite o la grasa entren en contacto con los componentes de plástico o la junta de la puerta. Limpie el aparato inmediatamente si se produce contacto.
- NO almacene productos encima del aparato.
- Sólo adecuado para uso en interiores.
- Las botellas que contienen un alto porcentaje de alcohol deben sellarse y colocarse verticalmente en el frigorífico.
- Siempre debe transportar, almacenar y manipular el aparato verticalmente y moverlo cogiéndolo de la base.
- Desconecte la máquina y desenchúfela del suministro eléctrico de la unidad siempre antes de llevar a cabo la limpieza.
- Mantenga el embalaje lejos del alcance de los niños.
Deshágase del embalaje de acuerdo con las normativas de las autoridades locales.
- Si el cable eléctrico está dañado, debe ser reemplazado por un agente de POLAR o un técnico cualificado recomendado para evitar cualquier riesgo.
- Los niños deben ser supervisados para evitar que no jueguen con el aparato.

- Este aparato no debe ser utilizado por personas (niños incluidos) que tengan limitadas sus capacidades físicas, sensoriales o mentales, o que no tengan experiencia y conocimientos, a menos que estén bajo la supervisión o hayan recibido instrucciones relativas al uso del aparato a cargo de una persona responsable de su seguridad.
- POLAR recomienda que este aparato debe ser periódicamente probado (al menos anualmente) por una Persona Competente. La prueba debe incluir, pero no debe estar limitado a: Inspección visual, Prueba de polaridad, Toma a tierra, continuidad de aislamiento y prueba Funcional.



Precaución Riesgo de Incendio

- No guarde sustancias explosivas, tales como latas de aerosol con un propulsor inflamable, en este aparato.



Advertencia: Mantenga los orificios de ventilación libres de obstrucciones. Asegúrese de que la unidad disponga de una ventilación adecuada.

- **Advertencia:** No utilice dispositivos mecánicos u otros medios para acelerar el proceso de descongelación, que no sean aquellos recomendados por el fabricante.
- **Advertencia:** No dañe el circuito refrigerante.
- **Advertencia:** No utilice aparatos eléctricos dentro de los compartimentos de almacenamiento de alimentos del aparato, a menos que sean del tipo recomendado por el fabricante.

Descripción del Producto

CD610 - Frigorífico de 150 litros

CD611 - Congelador de 140 litros

CD612 - Frigorífico de 400 litros

CD613 - Congelador de 365 litros

CD614 - Frigorífico de 600 litros

CD615 - Congelador de 600 litros

CD080 - Frigorífico de 150 litros y acero inoxidable

CD081 - Congelador de 140 litros y acero inoxidable

CD082 - Frigorífico de 400 litros y acero inoxidable

CD083 - Congelador de 365 litros y acero inoxidable

CD084 - Frigorífico de 600 litros y acero inoxidable

CD085 - Congelador de 600 litros y acero inoxidable

CD086 - Frigorífico de puerta vidriera de 150 litros

CD087 - Frigorífico de puerta vidriera de 400 litros

CD088 - Frigorífico de puerta vidriera de 600 litros

CB921 - Congelador de puerta vidriera de 365 litros

GL185 - 522 litros panadería refrigerador

Introducción

Tómese unos minutos para leer este manual. El correcto mantenimiento y manejo de esta máquina proporcionará el mejor funcionamiento posible de su producto POLAR.

Contenido del Conjunto

Se incluye lo siguiente:

- Frigorífico o Congelador POLAR
- Estanterías - Solo refrigerador
CD610/CD080/CD086x 3
CD612/CD082/CD087 x 4
CD614/CD084/CD088x 4
- Bandeja Guías - sólo refrigerador Panadería
GL185 x 12
- Llaves x 2
- Espaciador x 2
- Manual de instrucciones

POLAR se enorgullece de su calidad y servicio y asegura que en el momento del embalaje, el contenido se suministró con plena funcionalidad y sin ningún defecto. Si encontrara algún daño resultante del transporte, póngase en contacto inmediatamente con su distribuidor POLAR.

Instalación

Nota: Se utiliza un soporte para sostener la puerta durante el transporte. Al recibirlo, retire el soporte.



Nota: Si el aparato no se ha almacenado o transportado en posición vertical, déjelo en posición vertical durante aproximadamente 12 horas antes del funcionamiento. Si tiene alguna duda, deje el aparato en posición vertical.

1. Desembale el aparato. Asegúrese de que todos los revestimientos y las láminas de plástico de protección se hayan quitado totalmente de todas las superficies.
2. Para optimizar el rendimiento y la longevidad, asegúrese de que se mantenga un espacio libre mínimo de 2,5 cm entre la unidad y las paredes y otros objetos, con un espacio mínimo de 5 cm en la parte superior. **NUNCA UBICAR AL LADO DE UNA FUENTE DE CALOR.**

Nota: antes de utilizar el aparato por primera vez, limpie los estantes y el interior con agua con jabón.

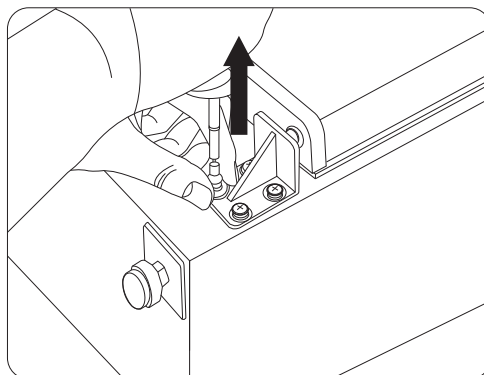
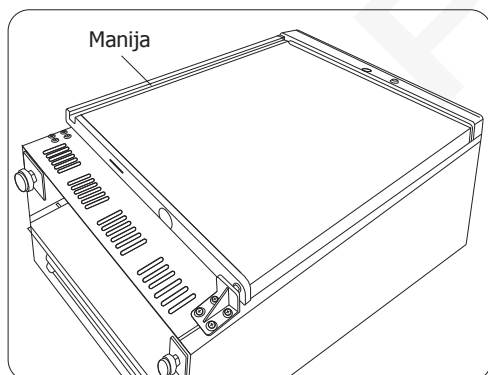
El aparato se suministra con patas por defecto. Sin embargo, las ruedas pueden suministrarse como una opción desde el rango de número de serie: 8124199-UK / 8128873-EU en adelante.

Invertir la puerta (Excluyendo el modelo CB921/CD086/CD087/CD088)

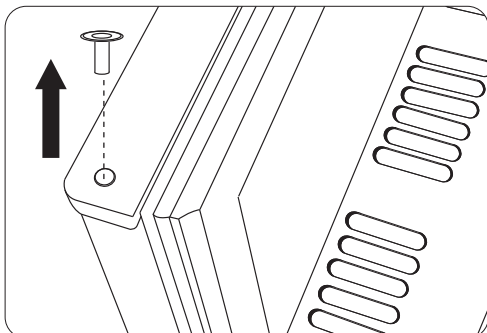
Dependiendo de la ubicación del electrodoméstico, puede ser necesario cambiar la dirección en que se abre la puerta cambiando el lado de la manija de la puerta.

Para invertir la manija de la puerta:

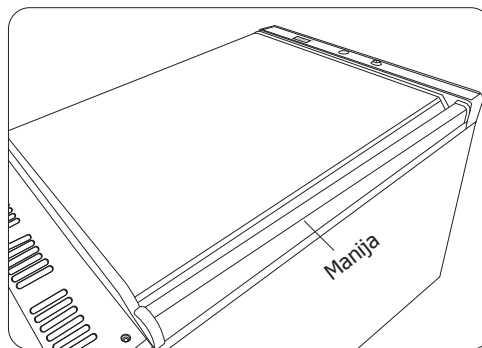
1. La manija de la puerta está en el lado izquierdo. Desmontar la bisagra inferior derecha.



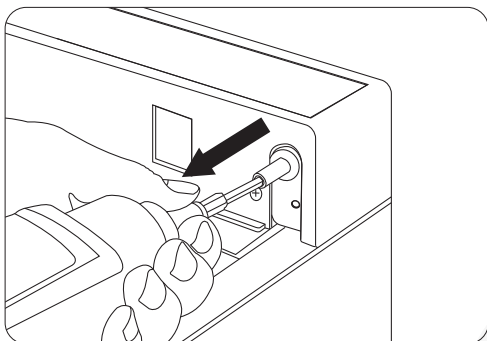
2. Retire la puerta de la bisagra superior derecha. Luego retire la manga de la bisagra de la parte superior de la puerta.



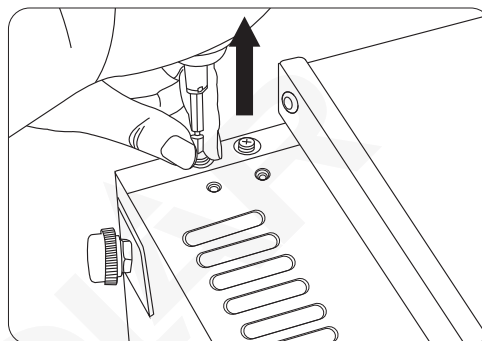
4. Deslice la puerta y cuélguela en la bisagra superior izquierda.



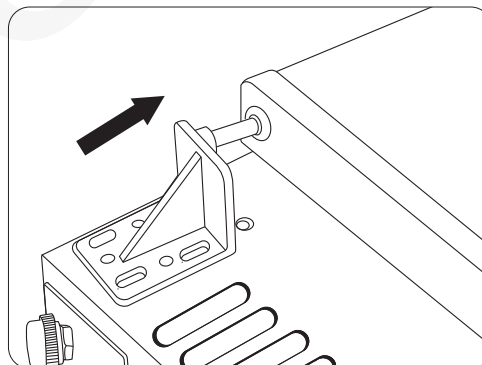
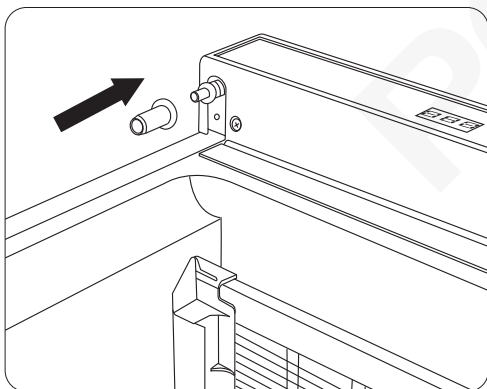
3. Retire la bisagra superior derecha e instálela en el lado izquierdo. Luego, instale la manga de la bisagra en la bisagra.



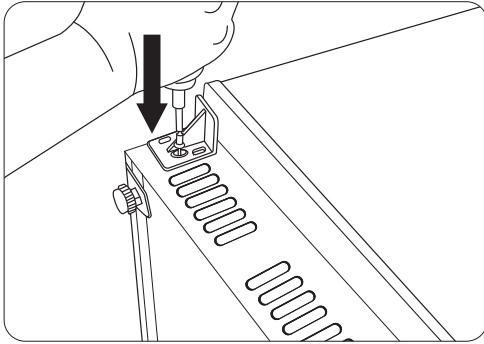
5. Retire los tornillos premontados en el lado inferior izquierdo.



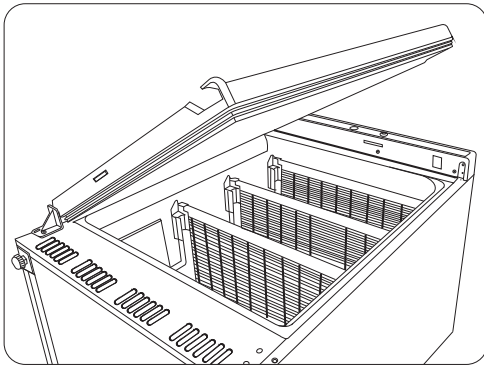
6. Instale la bisagra inferior derecha, previamente extraída, en el lado izquierdo.



7. Fije la bisagra en su sitio utilizando los tornillos retirados previamente.



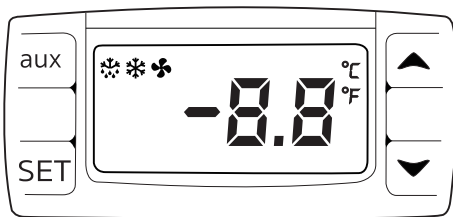
8. Ahora la manija de la puerta está instalada en el lado derecho.



Funcionamiento

Panel de control

El panel de control se encuentra en el frontal del aparato.



Encender

1. Cerrar la puerta del aparato.
2. Conecte el aparato a una red eléctrica.

Ajuste de la Temperatura de Funcionamiento

1. Mantenga presionado el botón **SET** durante 3 segundos. El visualizador se enciende.
2. Pulse el botón ▲ o los botones ▼ para visualizar la temperatura deseada.
3. Pulse el botón **SET** para fijar la temperatura.

Descongelación Manual

Mantenga pulsado el botón de descongelación "aux" durante 2 segundos para comenzar un deshielo manual. La luz ilumina descongelación.

Almacenamiento de comida

Para obtener los mejores resultados de su aparato POLAR, siga estas instrucciones:

- Guarde alimentos en el aparato sólo cuando haya alcanzado la temperatura de funcionamiento correcta.
- No ponga comida ni líquidos calientes sin cubrir en el interior del aparato.
- Envuelva o cubra la comida siempre que sea posible.
- No obstruya los ventiladores en el interior del aparato.
- Evite la apertura de las puertas durante períodos de tiempo prolongados.

Cerrar / Abrir las puertas con llave

- Se incorpora una cerradura a las puertas para garantizar que los alimentos se mantengan seguros dentro de su aparato POLAR.
- Utilice las llaves suministradas para abrir / cerrar la puerta.

Limpieza, Cuidado y Mantenimiento



Desconecte la máquina y desenchúfela de la toma eléctrica antes de llevar a cabo la limpieza.

- Limpie el interior del aparato con la mayor frecuencia posible.
- No utilice productos de limpieza abrasivos. Estos pueden dejar residuos nocivos.
- Limpie el sello de la puerta con agua tibia y jabonosa.
- Seque bien el aparato después de limpiarlo.
- No permita que el agua utilizada en la limpieza pase por el agujero de desagüe hacia la bandeja de goteo.
- Vaya con cuidado al limpiar la parte trasera del aparato. Los bordes afilados pueden cortar.
- Un técnico cualificado o un agente de POLAR debe llevar a cabo las reparaciones en caso de precisarse.

Limpeza del condensador

La limpieza periódica del condensador puede ampliar la duración del aparato.

Resolución de problemas

Si su aparato POLAR falla, por favor compruebe la tabla siguiente antes de llamar a la línea de asistencia o a su distribuidor POLAR.

| Fallo | Causa probable | Acción |
|--|--|---|
| El aparato no funciona | El aparato no está conectado | Compruebe que el aparato esté enchufado correctamente y conectado |
| | El enchufe y el cable están dañados | Llame a un técnico cualificado o a un agente de POLAR |
| | Suministro eléctrico | Compruebe el suministro eléctrico |
| El aparato se activa, pero la temperatura es demasiado alta / baja | Hay demasiado hielo en el evaporador | Descongele el aparato |
| | Condensador bloqueado con polvo | Limpie el condensador |
| | Las puertas no están bien cerradas | Compruebe que las puertas estén cerradas y las juntas no estén dañadas |
| | El aparato se encuentra cerca de una fuente de calor o el caudal de aire hacia el condensador está siendo interrumpido | Traslade el frigorífico a un lugar más adecuado |
| | La temperatura ambiente es demasiado alta | Aumente la ventilación o traslade el aparato a un lugar más fresco |
| | Se guardan alimentos no adecuados en el aparato | Retire cualquier exceso de alimentos calientes u obstrucciones del ventilador |
| | El aparato está sobrecargado | Reduzca la cantidad de alimentos guardados en el aparato |
| Hay fugas de agua en el aparato | El aparato no está bien nivelado | Ajuste las patas enroscadas para nivelar el aparato (si es aplicable) |
| | La salida de descarga está bloqueada | Limpie la salida de descarga |

| Fallo | Causa probable | Acción |
|---|--|--|
| Hay fugas de agua en el aparato | El movimiento del agua hacia el desagüe está obstruido | Limpie la base del aparato (si es aplicable) |
| | El contenedor de agua está dañado | Llame a un técnico cualificado o a un agente de POLAR |
| | La bandeja de goteo está rebosando | Vacíe la bandeja de goteo (si es aplicable) |
| El aparato es inusualmente ruidoso | Tuerca / tornillo flojo | Compruebe y apriete todos los tornillos y las tuercas |
| | El aparato no se ha instalado en una posición estable o nivelada | Compruebe la posición de la instalación y cámbiela si es necesario |
| No se enciende la bombilla del visualizador | Debe cambiarse la bombilla | Llame a un técnico cualificado o a un agente de POLAR |

Especificaciones Técnicas

| Modelo | Tensión | Potencia | Potencia | Margen de Temperaturas | Capacidad (litros) | Refrigerante | Dimensiones a x a x p mm | Peso (kg) |
|------------------------------|--------------|----------|----------|------------------------|--------------------|-----------------|--------------------------|-----------|
| CD610 CD080 | 230V 50Hz | 150 | 1,0A | 2°C ~ 8°C | 150 | R600a (35g) | 850 x 600 x 600 | 44 |
| CD611 CD081 | 230V 50Hz | 150 | 1,0A | -10°C ~ -25°C | 140 | R600a (36g) | 850 x 600 x 600 | 44,5 |
| CD612 CD082 | 230V 50Hz | 185 | 1,5A | 2°C ~ 8°C | 400 | R600a (75g) | 1850 x 600 x 600 | 69 |
| CD613 CD083 | 230V 50Hz | 210 | 2A | -10°C ~ -25°C | 365 | R600a (90g) | 1850 x 600 x 600 | 71 |
| CD614 CD084 | 230V 50Hz | 185 | 1,5A | 2°C ~ 8°C | 600 | R600a (100g) | 1890 x 777 x 695 | 90 |
| CD615 CD085 | 230V 50Hz | 350 | 3,5A | -10°C ~ -25°C | 600 | R600a (130g) | 1890 x 777 x 695 | 94 |
| CD086 | 230V 50Hz | 150 | 1,0A | 2°C ~ 8°C | 150 | R600a (35g) | 850 x 600 x 600 | 47 |
| CD087 | 230V 50Hz | 185 | 1,5A | 2°C ~ 8°C | 400 | R600a (90g) | 1850 x 600 x 600 | 72 |
| CD088 | 230V 50Hz | 185 | 1,5A | 2°C ~ 8°C | 600 | R600a (115g) | 1890 x 777 x 695 | 93 |
| CB921 | 230V 50Hz | 500 | 2,35A | -10°C ~ -25°C | 365 | R290 (110g) | 1850 x 600 x 600 | 76 |
| GL185 | 230V 50Hz | 130 | 0,9A | 0°C ~ 8°C | 522 | R600a (95g) | 1720 x 777 x 725 | 90 |

Cableado Eléctrico

El enchufe tiene que conectarse a una toma eléctrica adecuada.

Este aparato está conectado de la forma siguiente:

- Cable cargado (de color marrón) al terminal marcado como L
- Cable neutro (de color azul) al terminal marcado como N
- Cable de tierra (de color verde / amarillo) al terminal marcado como E

Este aparato debe conectarse a una toma de tierra.



Si tiene alguna duda, consulte a un electricista cualificado.

Los puntos de aislamiento eléctrico deben mantenerse libres de cualquier obstrucción. En caso de precisarse una desconexión de emergencia, deben estar disponibles de forma inmediata.

Desecho

Las normativas de la UE requieren que los productos de refrigeración sean desechados por compañías especializadas que extraigan o reciclen todos los gases, componentes metálicos y de plástico.

Consulte a su autoridad local de recogida de residuos a la hora de desechar su aparato. Las autoridades locales no están obligadas a eliminar los equipos de refrigeración comerciales pero pueden ofrecer consejo sobre cómo desechar los equipos localmente.

Otra opción es llamar a la línea de asistencia de POLAR para pedir información sobre las compañías nacionales de desechos de la UE.

Cumplimiento

El logotipo WEEE en este producto o su documentación indica que no debe eliminarse como un residuo doméstico. Para ayudar a prevenir posibles daños a la salud humana y/ o el medio ambiente, el producto debe eliminarse en un proceso de reciclaje aprobado y medioambientalmente seguro. Para obtener más información sobre cómo eliminar correctamente este producto, póngase en contacto con el proveedor del mismo o la autoridad local responsable de la eliminación de residuos en su zona.



Las piezas POLAR han pasado estrictas pruebas de productos para cumplir las especificaciones y normas reguladoras establecidas por las autoridades internacionales, independientes y federales.



Los productos POLAR han sido autorizados para llevar el símbolo siguiente:

Reservados todos los derechos. Puede estar prohibida la reproducción o transmisión en cualquier forma o por cualquier medio electrónico, mecánico, de fotocopiado, registro o de otro tipo, de cualquier parte de estas instrucciones sin la autorización previa y por escrito de POLAR.

Se ha hecho todo lo posible para garantizar que todos los datos son correctos en el momento de su publicación; sin embargo, POLAR se reserva el derecho a modificar las especificaciones sin que medie notificación previa.

Conselhos de segurança

- Colocar numa superfície plana e estável.
- Um agente de serviço/técnico qualificado deverá efectuar a instalação e quaisquer reparações, caso necessário. Não retirar qualquer componente ou painéis de serviço deste produto.
- Consultar e cumprir os regulamentos locais e nacionais no que diz respeito à:
 - Legislação de saúde e segurança no local de trabalho
 - Códigos de trabalho
 - Prevenção de incêndios
 - Normas para sistemas eléctricos IEE
 - Código de construção
- NÃO utilizar máquinas de limpeza a pressão/jacto para limpar o produto.
- NÃO utilize este produto para armazenar acessórios médicos.
- NÃO se apoiar ou colocar em cima da base, das prateleiras ou das portas.
- NÃO permitir o contacto de óleo ou gordura com componentes de plástico ou guarnições das portas. Limpar imediatamente se tal acontecer.
- NÃO guardar produtos em cima do produto.
- Apenas adequado para uso dentro de casa ou estabelecimentos.
- Fechar garrafas com uma elevada percentagem de álcool e colocá-las verticalmente no frigorífico.
- Este produto deve ser transportado, armazenado e manuseado em posição vertical. Transporte segurando o produto pela base.
- Deve-se sempre desligar o aparelho e retirar a ficha da tomada antes de fazer a limpeza.
- Mantenha o material da embalagem fora do alcance de crianças. O material da embalagem é para ser deitado fora respeitando as regras das autoridades locais.
- A fim de evitar situações perigosas, a substituição dos cabos de alimentação danificados deve ser feita por um agente POLAR ou um técnico qualificado recomendado.
- As crianças devem ser supervisionadas para garantir que não brincam com o aparelho.

- Este aparelho não está indicado para ser utilizado por pessoas (incluindo crianças) com capacidades físicas, sensoriais ou mentais limitadas, ou com falta de experiência e conhecimento, excepto se tiverem sido supervisionadas ou tiverem recebido instruções acerca da utilização do aparelho por uma pessoa responsável sue segurança.
- POLAR recomenda que esta unidade seja testada periodicamente (mínimo 1 vez por ano) por pessoas qualificadas. O teste deve incluir, porém não está limitado a: Inspeção visual, teste de polaridade, continuidade da terra, continuidade de isolamento e teste funcional.

Atenção Risco de Incêndio

- Não guarde substâncias explosivas, tais como: latas de aerossol com um propulsor inflamável no aparelho ESTA.



Aviso: Mantenha todas as aberturas de ventilação desobstruídas. A unidade não deve ser encaixotada sem a ventilação adequada.

- **Aviso:** Não use dispositivos mecânicos ou outros meios para acelerar o processo de descongelação, distintos dos recomendados pelo fabricante.
- **Aviso:** Não danificar o circuito de refrigeração.
- **Aviso:** Não use aparelhos eléctricos no interior dos compartimentos de armazenamento de alimentos do aparelho, a menos que eles são o tipo recomendado pelo fabricante.

Descrição do produto

| | |
|--|--|
| CD610 - Frigorífico de 150 litros | CD611 - Congelador de 140 litros |
| CD612 - Frigorífico de 400 litros | CD613 - Congelador de 365 litros |
| CD614 - Frigorífico de 600 litros | CD615 - Congelador de 600 litros |
| CD086 - Frigorífico de 150 litros com porta de vidro | CD080 - Frigorífico de 150 litros inoxidável |
| CD081 - Congelador de 140 litros inoxidável | CD082 - Frigorífico de 400 litros inoxidável |
| CD083 - Congelador de 365 litros inoxidável | CD084 - Frigorífico de 600 litros inoxidável |
| CD085 - Congelador de 600 litros inoxidável | CD087 - Frigorífico de 400 litros com porta de vidro |
| CD088 - Frigorífico de 600 litros com porta de vidro | CB921 - Congelador de 365 litros com porta de vidro |
| GL185 - Frigorífico de 522 litros para produtos de panificação | |

Introdução

Por favor utilize o tempo necessário para ler atentamente este manual. Uma manutenção e utilização correcta deste aparelho permitem a melhor capacidade de funcionamento do seu produto POLAR.

Conteúdo da embalagem

A embalagem inclui o seguinte:

- Frigorífico ou congelador da POLAR
- Prateleiras- Apenas para frigorífico
CD610/CD080/CD086x 3
CD612/CD082/CD087 x 4
CD614/CD084/CD088 x 4
- Guias de Bandejas - apenas no frigorífico para produtos de panificação (GL185 x 12)
- Chaves x 2
- Espaçadores x 2
- Manual de instruções

A POLAR orgulha-se pelo serviço e a qualidade dos seus produtos e portanto verifica, durante a fase de embalagem, o estado funcional e o bom estado do conteúdo fornecido. Quando confrontado com quaisquer danos provocados durante o transporte, contacte imediatamente o seu fornecedor POLAR.

Instalação

Observação: um suporte é usado para apoiar a porta durante o transporte. No recebimento, remova o suporte.



Nota: se o aparelho foi armazenado ou transportado numa posição não igual à posição de instalação, deve-se, antes de utilizar o mesmo, colocar o produto durante 12 horas na posição de instalação. Em caso de dúvida deve cumprir a instrução anterior.

1. Retire o produto da embalagem. Verifique se retirou todas as tiras e camadas de protecção das superfícies do produto.
2. Para otimizar o desempenho e a longevidade, certifique-se de que uma distância mínima de 2,5 cm seja mantida entre a unidade e as paredes e outros objetos, com uma folga mínima de 5 cm na parte superior. **NUNCA LOCALIZE AO LADO DE UMA FONTE DE CALOR.**



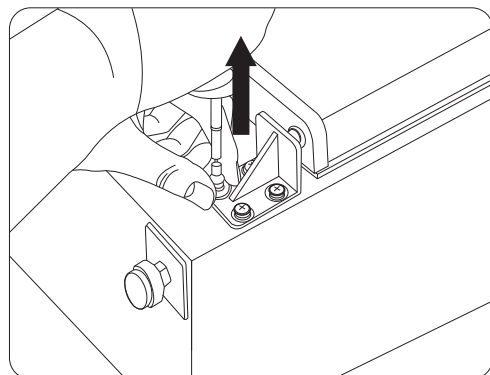
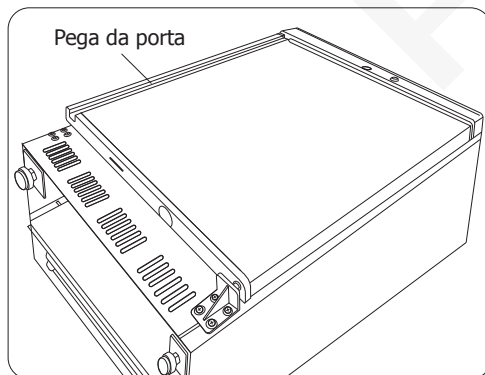
Nota: Antes de utilizar o produto pela primeira vez deve limpar as prateleiras e o interior com água de sabão. O aparelho é fornecido com pés por padrão. No entanto, os rodízios podem ser fornecidos como uma opção a partir do intervalo de números de série: 8124199-UK / 8128873-EU em diante.

Inversão do sentido de abertura da porta (Excluindo o modelo CB921/CD086/CD087/CD088)

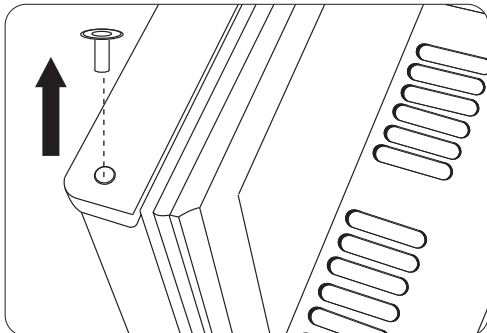
Dependendo da localização do aparelho, poderá ser necessário mudar a direção de abertura da porta, mudando o lado da pega da porta.

Para inverter a pega da porta:

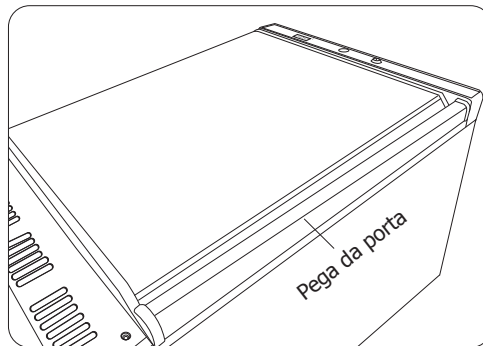
1. A pega da porta está do lado esquerdo. Desmonte a dobradiça inferior da direita.



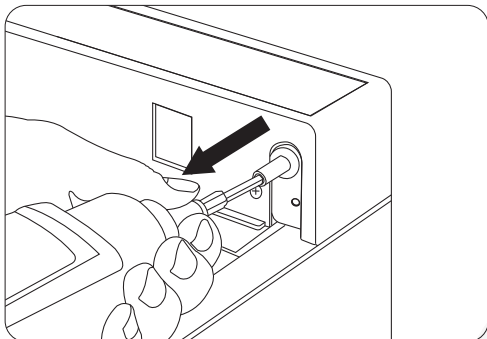
2. Retire a porta da dobradiça superior da direita. Depois remova a manga da dobradiça do topo da porta.



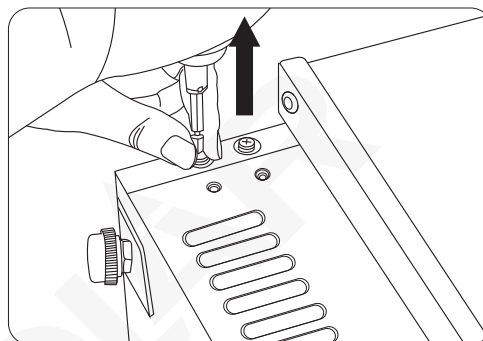
4. Inverta a porta e pendure-a na dobradiça superior da esquerda.



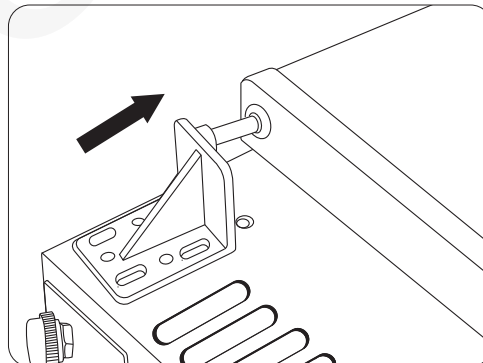
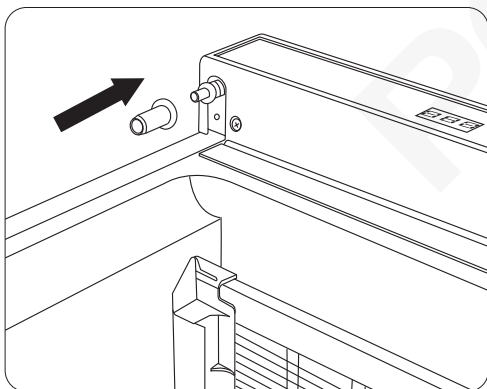
3. Retire a dobradiça superior da direita e instale-a no lado esquerdo. Depois, instale a manga da dobradiça na dobradiça.



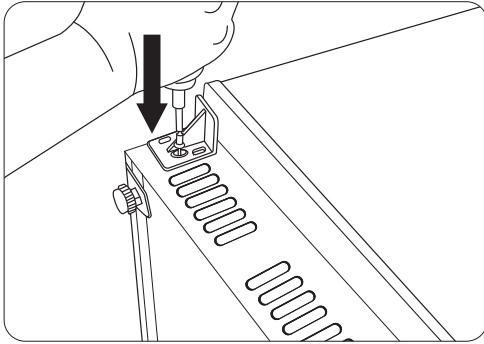
5. Retire os parafusos pré-montados, no lado inferior esquerdo.



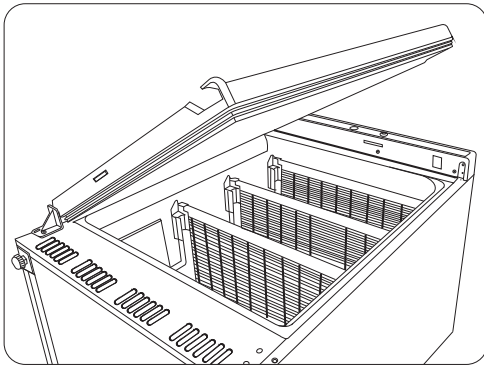
6. Instale a dobradiça inferior da direita anteriormente removida, no lado esquerdo.



7. Fixe a dobradiça no lugar usando os parafusos removidos anteriormente.



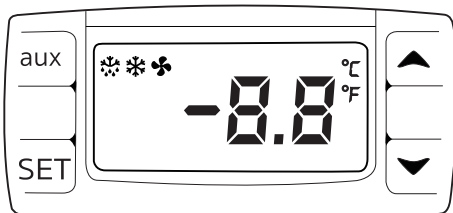
8. Agora a pega da porta está instalada no lado direito.



Funcionamento

Painel de controlo

O painel de controlo está localizado na parte da frente do aparelho.



Ligar

1. Feche a porta do aparelho.
2. Ligue o aparelho a uma tomada de corrente elétrica.

Selecionar a temperatura de funcionamento

1. Mantenha pressionado o botão **SET** por 3 segundos. O visor irá piscar.
2. Prima as teclas ▲ ou ▼ para exibir a temperatura desejada.
3. Prima o botão **SET** para guardar a temperatura.

Descongelção manual

Prima e segure o botão de descongelção "aux" durante 2 segundos para iniciar a descongelção manual. A luz de descongelção acende-se.

Armazenar alimentos

Siga as seguintes instruções para obter os melhores resultados do seu produto POLAR:

- Guarde os alimentos no aparelho apenas quando este tiver atingido a temperatura de funcionamento correta.
- Não coloque alimentos ou líquidos quentes ou destapados dentro do aparelho.
- Sempre que possível tape ou embrulhe os alimentos.
- Não bloqueie os ventiladores no interior do aparelho.
- Evite abrir as portas durante muito tempo.

Trancar/Destrancar as portas

- As portas foram equipadas com uma fechadura para guardar os alimentos com segurança no seu produto POLAR.
- Utilize as chaves fornecidas para trancar/destrancar a porta.

Limpeza, cuidados & manutenção



Desligue o aparelho e retire a ficha da tomada de corrente antes de fazer a limpeza.

- Limpe o interior do produto com a máxima frequência possível.
- Não utilizar produtos de limpeza abrasivos. Estes podem deixar resíduos prejudiciais.
- Limpe a vedação da porta com água morna e com sabão.
- Seque sempre bem depois da limpeza.
- Não deixe que a água utilizada para a limpeza esorra pelo orifício de drenagem para o recipiente de evaporação.
- Tenha cuidado ao limpar a parte de trás do aparelho. Os cantos afiados podem cortar.
- Um agente da POLAR ou técnico qualificado deverá efectuar quaisquer reparações, caso necessário.

Limpar o condensador

A limpeza com regularidade do condensador pode prolongar a duração do aparelho.

Resolução de problemas

Se o seu produto POLAR apresentar uma falha, consulte a seguinte tabela antes de telefonar à linha de apoio ou ao seu agente POLAR.

| Problema | Causa provável | A fazer |
|--|---|--|
| O aparelho não funciona | O aparelho não está ligado | Verifique a ligação correcta dos cabos e ligue o aparelho |
| | A ficha e o cabo estão danificados | Chame o agente da POLAR ou um técnico qualificado |
| | Fonte de alimentação | Verifique a fonte de alimentação |
| O produto liga mas a temperatura é demasiado alta ou baixa | Há muito gelo no evaporador | Descongele o produto |
| | O condensador está bloqueado por pó | Limpar o condensador |
| | As portas não estão totalmente fechadas | Verifique se as portas estão bem fechadas e se as guarnições estão danificadas |
| | O produto está perto de uma fonte de calor ou o fluxo de ar em direcção do condensador é interrompido | Desloque o frigorífico para um lugar mais adequado |
| | A temperatura ambiente é demasiado alta | Aumente a ventilação ou desloque o produto para uma posição mais fresca |
| | Está a guardar alimentos não adequados no produto | Retire quaisquer alimentos quentes ou alimentos que bloqueiem o ventilador |
| | O produto está sobrecarregado | Reduz a quantidade de alimentos armazenada no produto |
| Está a verter água do produto | O produto não está bem nivelado | Ajuste os pés reguláveis para nivelar o produto (caso necessário) |
| | A saída de descarga está bloqueada | Limpe a saída da descarga |

| Problema | Causa provável | A fazer |
|--|---|--|
| Está a verter água do produto | O movimento de água para a descarga está bloqueado | Limpe o chão do produto (caso aplicável) |
| | O recipiente de água está danificado | Chame o agente da POLAR ou um técnico qualificado |
| | O tabuleiro para gelo derretido (água) está a transbordar | Esvazie o tabuleiro (caso aplicável) |
| O produto produz mais ruídos do que o normal | Desaperte a porca/parafuso | Verifique e aperte todos os parafusos e porcas |
| | O produto não foi instalado numa superfície nivelada ou estável | Verifique a posição da instalação e, caso necessário, desloque o produto |
| A lâmpada do expositor não acende | A lâmpada tem que ser substituída | Chame o agente da POLAR ou um técnico qualificado |

Especificações técnicas

| Modelo | Voltagem | Alimentação | Corrente | Amplitude de temperatura | Capacidade (Litros) | Líquido de Refrigeração | Dimensões a x l x p mm | Peso (kg) |
|------------------------------|--------------|-------------|----------|--------------------------|---------------------|-------------------------|------------------------|-----------|
| CD610 CD080 | 230V 50Hz | 150 | 1,0A | 2°C a 8°C | 150 | R600a (35g) | 850 x 600 x 600 | 44 |
| CD611 CD081 | 230V 50Hz | 150 | 1,0A | -10°C a -25°C | 140 | R600a (36g) | 850 x 600 x 600 | 44,5 |
| CD612 CD082 | 230V 50Hz | 185 | 1,5A | 2°C a 8°C | 400 | R600a (75g) | 1850 x 600 x 600 | 69 |
| CD613 CD083 | 230V 50Hz | 210 | 2A | -10°C a -25°C | 365 | R600a (90g) | 1850 x 600 x 600 | 71 |
| CD614 CD084 | 230V 50Hz | 185 | 1,5A | 2°C a 8°C | 600 | R600a (100g) | 1890 x 777 x 695 | 90 |
| CD615 CD085 | 230V 50Hz | 350 | 3,5A | -10°C a -25°C | 600 | R600a (130g) | 1890 x 777 x 695 | 94 |
| CD086 | 230V 50Hz | 150 | 1,0A | 2°C a 8°C | 150 | R600a (35g) | 850 x 600 x 600 | 47 |
| CD087 | 230V 50Hz | 185 | 1,5A | 2°C a 8°C | 400 | R600a (90g) | 1850 x 600 x 600 | 72 |
| CD088 | 230V 50Hz | 185 | 1,5A | 2°C a 8°C | 600 | R600a (115g) | 1890 x 777 x 695 | 93 |
| CB921 | 230V 50Hz | 500 | 2,35A | -10°C a -25°C | 365 | R290 (110g) | 1850 x 600 x 600 | 76 |
| GL185 | 230V 50Hz | 130 | 0,9A | 0°C a 8°C | 522 | R600a (95g) | 1720 x 777 x 725 | 90 |

Cablagem eléctrica

Deve-se utilizar tomadas adequadas para ligar a ficha do aparelho.

O esquema de electricidade deste aparelho é o seguinte:

- Cabo eléctrico (castanho) para o terminal marcado L
- Cabo neutro (azul) para o terminal marcado N
- Cabo terra (verde/amarelo) para o terminal marcado com E

Este aparelho tem de estar ligado à terra.



Consulte um electricista qualificado em caso de dúvidas.

Os pontos eléctricos isolados devem ficar limpos de qualquer obstrução. Estes pontos têm que ser imediatamente acessíveis caso seja necessário desligar a electricidade.

Tratamento de lixo e resíduos

Os regulamentos da UE exigem a entrega de produtos de refrigeração a empresas especializadas em remover ou reciclar todos os gases, metais e componentes de plástico.

Consulte a autoridade responsável pelo tratamento de lixo sobre a recolha do seu aparelho. As autoridades locais não são responsáveis pela recolha de equipamento comercial de refrigeração, no entanto, podem informá-lo quanto a recolha local do seu equipamento.

Ou então, contacte a linha de apoio da POLAR para obter informações sobre as empresas nacionais de tratamento de lixo na UE.

Conformidade

O logótipo WEEE neste produto ou a sua documentação indicam que o produto não deve ser tratado como lixo doméstico. Para ajudar a prevenir possíveis danos para a saúde humana e/ou ambiente, o produto deve ser eliminado de acordo com um processo de reciclagem aprovado e seguro para o ambiente. Para mais informação sobre como eliminar este produto correctamente, contacte o fornecedor do mesmo ou as autoridades locais responsáveis pela eliminação de desperdícios na sua área.



As componentes POLAR foram submetidas a testes rigorosos a fim de cumprirem as normas e especificações legais determinadas pelas autoridades internacionais, independentes e nacionais.



Os produtos POLAR foram aprovados e trazem o seguinte símbolo:

Todos os direitos reservados. É proibida a reprodução electrónica ou mecânica, ou por qualquer outro meio copiar, guardar em meios digitais ou transmitir a terceiros estas instruções, seja parcialmente ou na sua totalidade, sem a autorização prévia de POLAR.

Nós nos esforçamos para que no dia de publicação deste manual todos os pormenores sejam correctos, no entanto, a POLAR tem o direito de alterar as especificações sem aviso prévio.

DECLARATION OF CONFORMITY

- Conformiteitsverklaring • Déclaration de conformité • Konformitätserklärung • Dichiarazione di conformità •
• Declaración de conformidad • Declaração de conformidade

| Equipment Type • Uitrustingstype • Type d'équipement • Gerätetyp • Tipo di apparecchiatura • Tipo de equipo • Tipo de equipamento | | Model • Modèle • Modell • Modello • Modelo • Malli | |
|--|--|---|--|
| <ol style="list-style-type: none"> Glass Door Display Freezer - 400Ltr St/St Undercounter Freezer 150Ltr St/St Freezer - 365Ltr 600Ltr St/St Fridge Glass Door Fridge - 600Ltr Undercounter Fridge - 150Ltr Undercounter Freezer - 140Ltr Upright Freezer - 600Ltr Upright Freezer - 365Ltr | <ol style="list-style-type: none"> Upright Fridge - 600Ltr 400Ltr St/St Fridge 600Ltr St/St Freezer Glass Door Fridge - 150Ltr Glass Door Fridge - 400Ltr St/St Undercounter Freezer 140Ltr Upright Fridge - 400Ltr G-Series Patisserie Refrigerator - White | <ol style="list-style-type: none"> CB921 (& -E -A) CD080 (& -E -A) CD083 (& -E -A) CD084 (& -E -A) CD088 (& -E -A) CD610 (& -E -A) CD611 (& -E -A) CD615 (& -E -A) CD613 (& -E -A) | <ol style="list-style-type: none"> CD614 (& -E -A) CD082 (& -E -A) CD085 (& -E -A) CD086 (& -E -A) CD087 (& -E -A) CD081 (& -E -A) CD612 (& -E -A) GL185 (& -E -A) |
| Application of Territory Legislation & Council Directives(s) Toepassing van Europese Richtlijn(en) • Application de la/des directive(s) du Conseil • Anwendbare EU-Richtlinie(n) • Applicazione delle Direttive • Aplicación de la(s) directiva(s) del consejo • Aplicação de directiva(s) do Conselho | | Machinery Directive 2006/42/EC EN 60335-1:2012 +A11:2014 +A13:2017 EN 60335-2-89:2010 +A1:2016 +A2:2017 EN 62233:2008 Electro-Magnetic Compatibility (EMC) Directive 2014/30/EU - recast of 2004/108/EC EN 55014-1:2017 EN 55014-2:2015 EN 61000-3-2: 2014 EN 61000-3-3: 2013 Restriction of Hazardous Substances Directive (RoHS) 2015/863 amending Annex II to Directive 2011/65/EU | |
| Producer Name • Naam fabrikant • Nom du producteur • Name des Herstellers • Nome del produttore • Nombre del fabricante • Nome do fabricante | | Electrical Safety AS/NZS 60335.1:2011 +A1:2012 +A2:2014 +A3:2015 +A4:2017 AS/NZS 60335.2.89:2010 +A1:2013 +A2:2016 Electromagnetic Compatibility EN 55014-1:2017 EN 55014-2:2015 EN 61000-3-2: 2014 EN 61000-3-3: 2013 | |
| | | Polar | |




I, the undersigned, hereby declare that the equipment specified above conforms to the above Territory Legislation, Directive(s) and Standard(s).

Ik, de ondergetekende, verklaar hierbij dat de hierboven gespecificeerde uitrusting goedgekeurd is volgens de bovenstaande Richtlijn(en) en Standaard(en).

Je soussigné, confirme la conformité de l'équipement cité dans la présente à la / aux Directive(s) et Norme(s) ci-dessus
 Ich, der/die Unterzeichnende, erkläre hiermit, dass das oben angegebene Gerät der/den oben angeführten Richtlinie(n) und Norm(en) entspricht.

Il sottoscritto dichiara che l'apparecchiatura di sopra specificata è conforme alle Direttive e agli Standard sopra riportati.
 El abajo firmante declara por la presente que el equipo arriba especificado está en conformidad con la(s) directiva(s) y estándar(es) arriba mencionadas.

Eu, o abaixo-assinado, declaro que o equipamento anteriormente especificado está em conformidade com a(s) anterior(es) Directiva(s) e Norma(s)

| | | | |
|---|---|--|--|
| Date • Data • Datum • Datum • Data • Fecha • Data | 3 rd December 2020 | | |
| Signature • Handtekening • Signature • Unterschrift Firma • Firma • Assinatura | DocuSigned by:  B39382C9FD9C478... | DocuSigned by:  D3528747FAB460... | DocuSigned by:  3582E210C4054DA... |
| Full Name • Volledige naam • Nom et prénom • Vollständiger Name • Nome completo • Nombre completo • Nome por extenso | Ashley Hooper | Eoghan Donnellan | Josie Holt |
| Position • Functie • Fonction • Position • Qualifica • Posición • Função | Technical & Quality Manager | Commercial Manager/ Importer | Commercial Manager/ Responsible Supplier |
| Producer Address • Adres fabrikant • Adresse du producteur • Anschrift des Herstellers • Indirizzo del produttore • Dirección del fabricante • Morada do fabricante | Fourth Way, Avonmouth, Bristol, BS11 8TB United Kingdom | 42 North Point Business Park New Mallow Road Cork Ireland | 15 Bagdally Road, Campbelltown NSW 2560 |





| | |
|--------------|----------------------------|
| UK | +44 (0)845 146 2887 |
| Eire | |
| NL | 040 – 2628080 |
| FR | 01 60 34 28 80 |
| BE-NL | 0800-29129 |
| BE-FR | 0800-29229 |
| DE | 0800 – 1860806 |
| IT | N/A |
| ES | 901-100 133 |
| PT | vendas@nisbets.pt |



<http://www.polar-refrigerator.com/> 

CD610-CD615_CD080-CD088_CB921_GL185_ML_A5_v20_20210709