

Quantura Q10 & Q10+ Dishwash Dosing System

Safety Notes

IMPORTANT:

Please read the following precautions carefully before using this equipment.

- This unit contains high voltage circuits that may expose you to the danger of electric shock.
- Means for disconnection must be incorporated in accordance with the wiring rules.
- Do not** open the enclosure without isolating the signal and supply sources. Ensure that these sources have been isolated for at least 5 minutes before entering the enclosure.
- Do not** power the unit outside of the values stated on the rating label.
- Do not** use damaged or frayed cables.
- Do not** dismantle or modify this equipment.
- Never** insert fingers into mechanisms without turning the power supply off first.
- Do not** mount the unit to unstable, irregular or non-vertical surfaces.
- Do not** place heavy objects on top of the unit.
- Do not** attempt to place items (such as screwdrivers) into the moving parts of the pump head.
- Always** ensure that care is taken when handling chemicals.
- Do not** discard of the manual, this must be retained.

This unit must be installed by suitably qualified personnel in accordance with local regulations, or in the absence of local regulations, installed in accordance with the applicable requirements in the National Electrical Code, NFPA 70, Canadian Electrical Code (CEC), Part 1, CSA C22.1, and Standard for Ventilation Control and Fire Protection of Commercial Cooking Operations, NFPA 96.

This appliance can be used by children age from 8 years and above and persons with reduced physical, sensory or mental capabilities or lack of experience and knowledge if they have been given supervision or instruction concerning use of the appliance in a safe way and understand the hazards involved. Children shall not play with the appliance. Cleaning and user maintenance shall not be made by children without supervision.

If the supply cord is damaged, it must be replaced by the manufacturer, its service agent or similarly qualified persons in order to avoid hazard.

Before Installation

Ensure you have checked all parts required are present and inspect for any damage before installation. In the unlikely event your items are faulty, **DO NOT** install faulty or damaged parts as this unsafe and will void any warranty. Please return to your distributor in the original delivery condition including any packaging. This unit is **ONLY** to be installed by a suitably qualified person complying with local regulations.

Quantura Q10 & Q10+

Peristaltic tubing
× 1
(Silicone 5mm OR Norprene 3mm)

Ceramic weight and foot filter
× 1

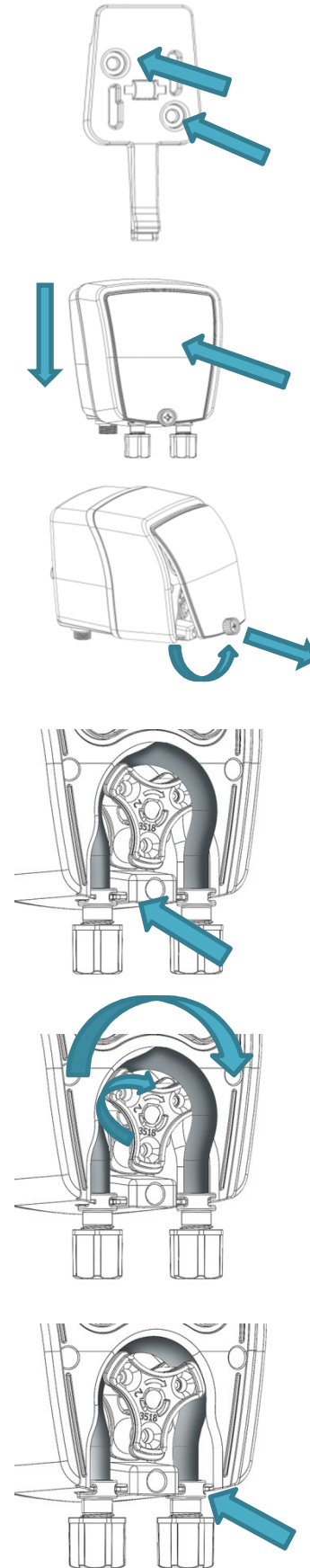
Rinse or Detergent Injector
× 1

Polyethylene Tubing
3000mm × 1

Fixings Pack:
Screws × 2
Wall plugs × 2



Installation



Mounting and connection

Step 1: Using the wall plugs and screws specified for this unit, fix the mounting bracket to the wall. There is an embedded spirit level to aid with this part of the installation.

Step 2: Mount the unit to the wall by hooking it onto the wall bracket. As you push the unit down you should hear a click sound.

Step 3: Ensure there is no power to the unit. Remove front cover by turning thumb screw anti-clockwise and pulling the front cover towards you as shown.

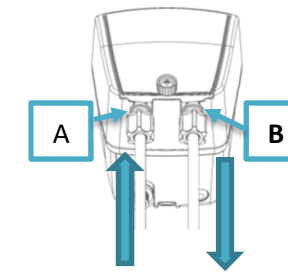
Step 4: Insert one end of the tube ensuring that it is slotted into the body of the enclosure as shown.

Step 5: Now by manually rotating the pump head, feed the tube into the unit as shown.
TIP use some HT5 Silicone grease on the outer of the tube to help ease the tube in and prevent any snagging.

Step 6: Now insert the other end of the tube ensuring that it is slotted into the body of the enclosure as shown.

IMPORTANT INFORMATION: Brightwell Dispensers Ltd (manufacturer) accepts no responsibility and/or damages caused to either the product or premises if the installation process is not complied with in full.

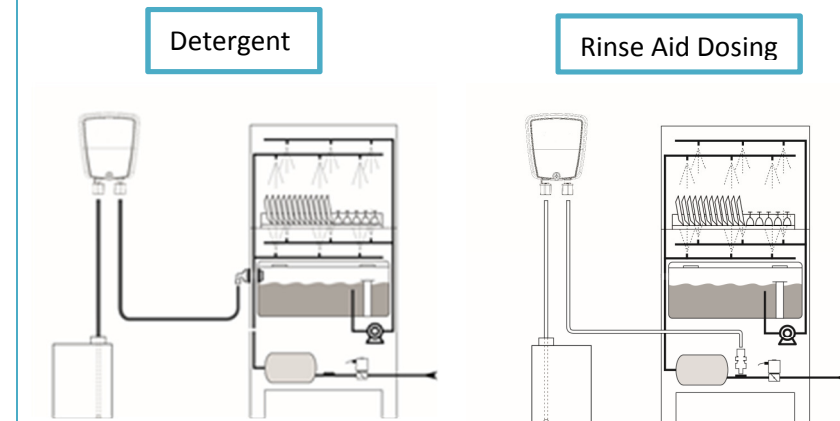
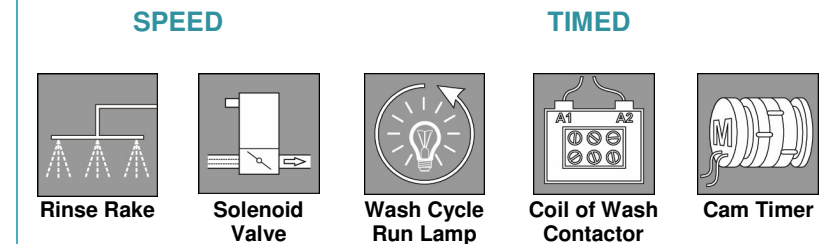
Connecting Chemicals



Step 1: Ensure there is no power to the unit, connect the suction tube from the detergent or rinse container to (A). Now connect the delivery tube from (B) to the injection point.

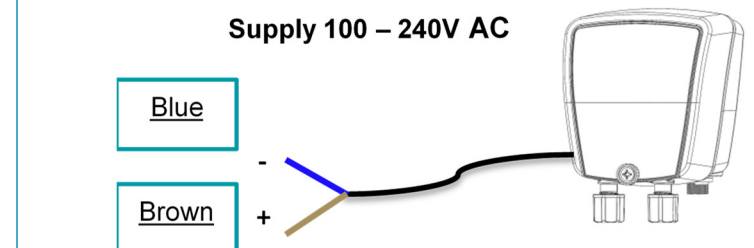
Installation connection

Should the supply cord be damaged, it should be replaced by the manufacturer or its service agent or a similarly qualified person in order to avoid a hazard.

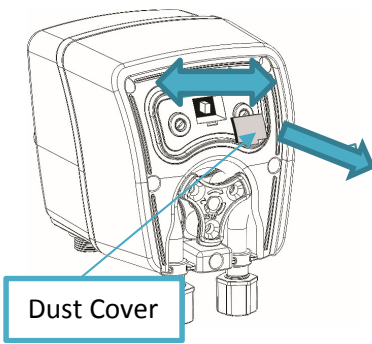


Power Supply

Should the supply cord be damaged, it should be replaced by the manufacturer or its service agent or a similarly qualified person in order to avoid a hazard.



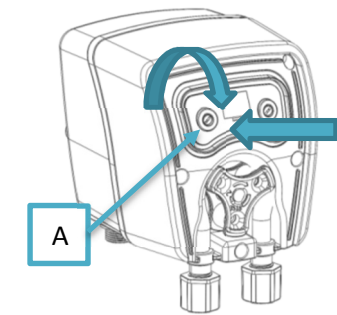
Operation-Speed and Timed



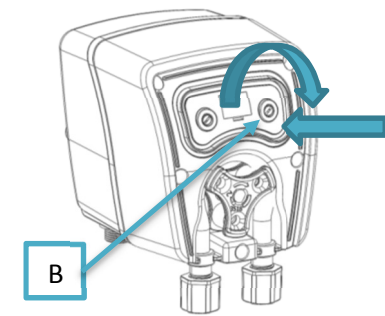
Selecting between Timed and Speed Mode

Remove the dust cover with a screw driver. Use the screwdriver to flick the switch **Left** for **Timed** and **Right** for **Speed** mode. See below for operational programming.

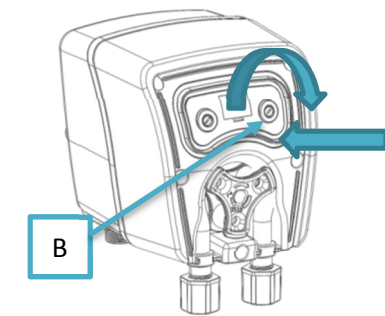
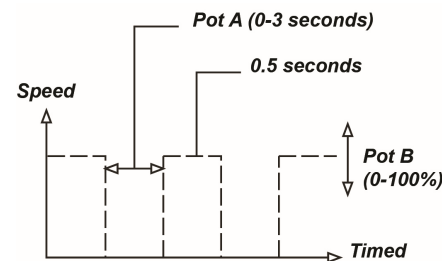
Speed



Step 1: Potentiometer **A** – Used to adjust the Pump Speed (0-100%). Continuous Operation is enabled with potentiometer A set to zero. **Note:** the ON period will be fixed at 0.5 seconds.

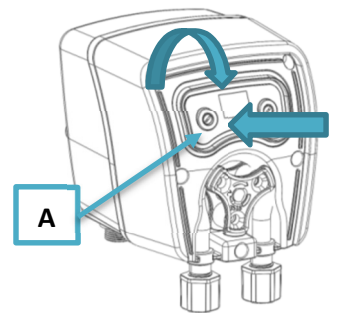


Step 2: Potentiometer **B** – Used to adjust the Cyclic OFF period (0-3 seconds). **Note:** the ON period will be fixed at 0.5 seconds.



Timed

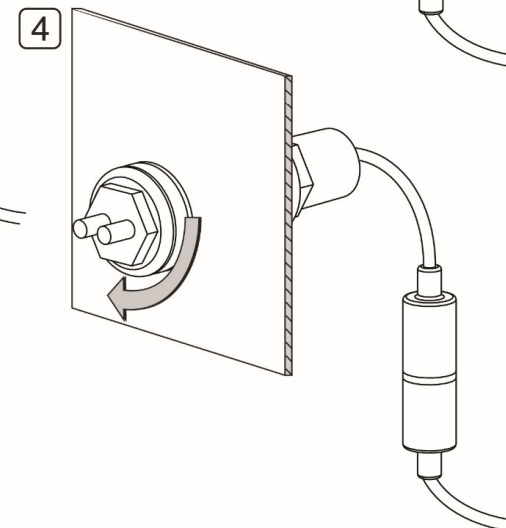
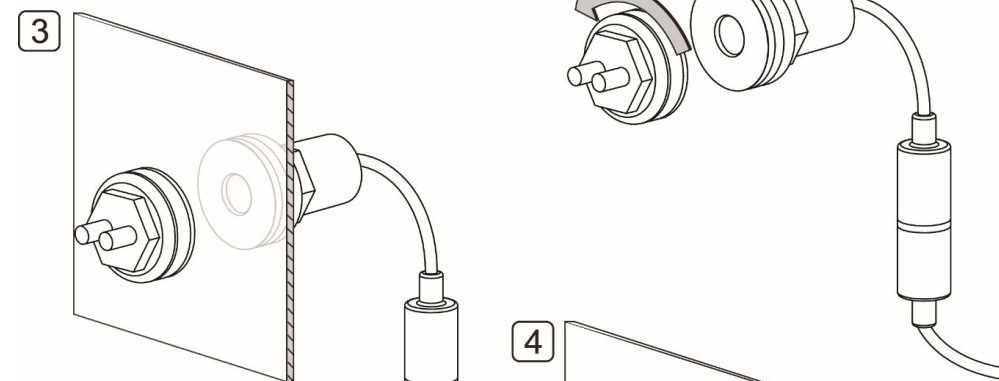
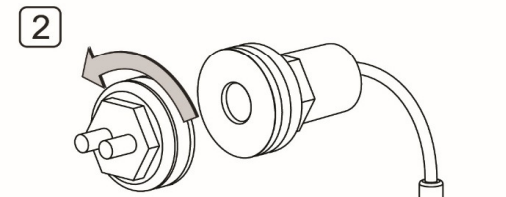
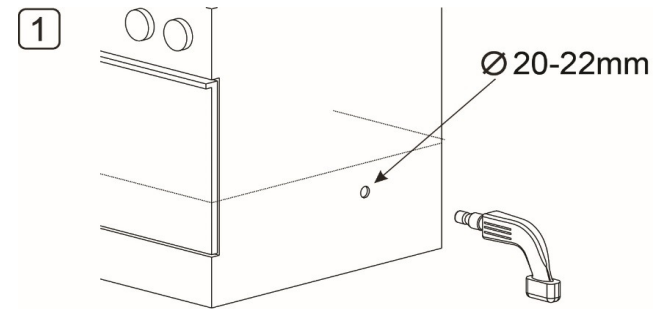
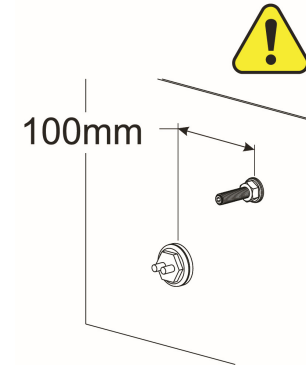
Step 1: Potentiometer **B** – Top up charge will operate when power is applied. Adjust Top Up run time using B (1-60 secs).



Step 2: Potentiometer **A** – The initial charge will operate if power remains for over 15 secs after the completion of the **Top Up** charge. Adjust Initial charge run time using Potentiometer A (1-90 seconds).

Probe Installation (Q10+ only)

Prior to Installation: Please note that the probe is to be mounted at a minimum distance of no less than 100mm away from the tank injector (chemical injection point).



Useful Information

Flowrate – 100ml/min (3.38 fl.oz/min)

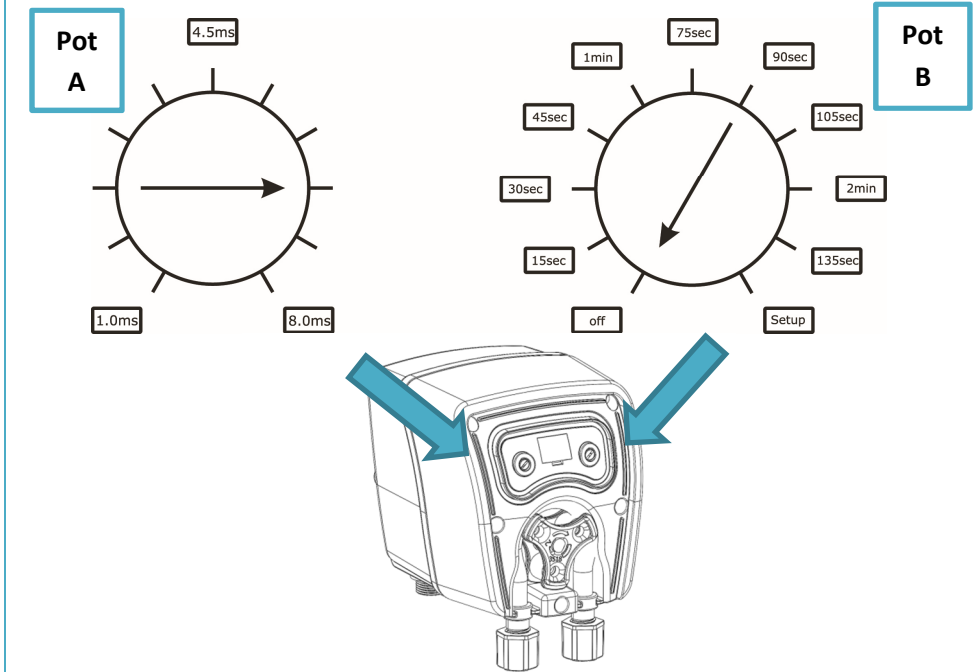
NOTE: Flowrates measured with water, Suction length of 2 metres



The pump has a maximum run time of 3 minutes per event. The pump cannot be programmed to run longer than this per event.

Operation- Probe Mode (Q10+ only)

Probe Mode is automatically activated when a probe is connected. There is no requirement to make a switch selection.



1. Turn dial A to its minimum setting (anti-clockwise) and dial B to its maximum (clockwise).
2. Add the required amount of product into the wash tank.
3. Adjust dial A until the motor starts to run.
4. Back off dial A until the pump stops again. (The unit is now calibrated for your required chemical concentration).
5. Finally turn dial B to your required alarm position (the mid position is recommended).

Service Intervals

1. Pump Tube Servicing: It is recommended the pump tubes are inspected for performance once every 3 months and lubricated with silicone grease to pro long tube life.
2. Pump Calibration: As a guide once every 3 months it is recommended the flow produced is checked to ensure consistent flow over the life of the tube. To do this run the pump for minute and capture the flow produced. Compare this figure with the run time of the pump to ensure the correct dosage is produced.
3. Pump Tube replacement: As a guide it is recommended the tube is replaced for a new piece once every 6 months, or as needed.

WEEE Directive

Please remember to respect the local regulations: hand in the non-working electrical equipment's to an appropriate waste disposal centre. The packaging material is recyclable. Dispose of the packaging in an environmentally friendly manner and make it available for the recyclable material collection-service.

